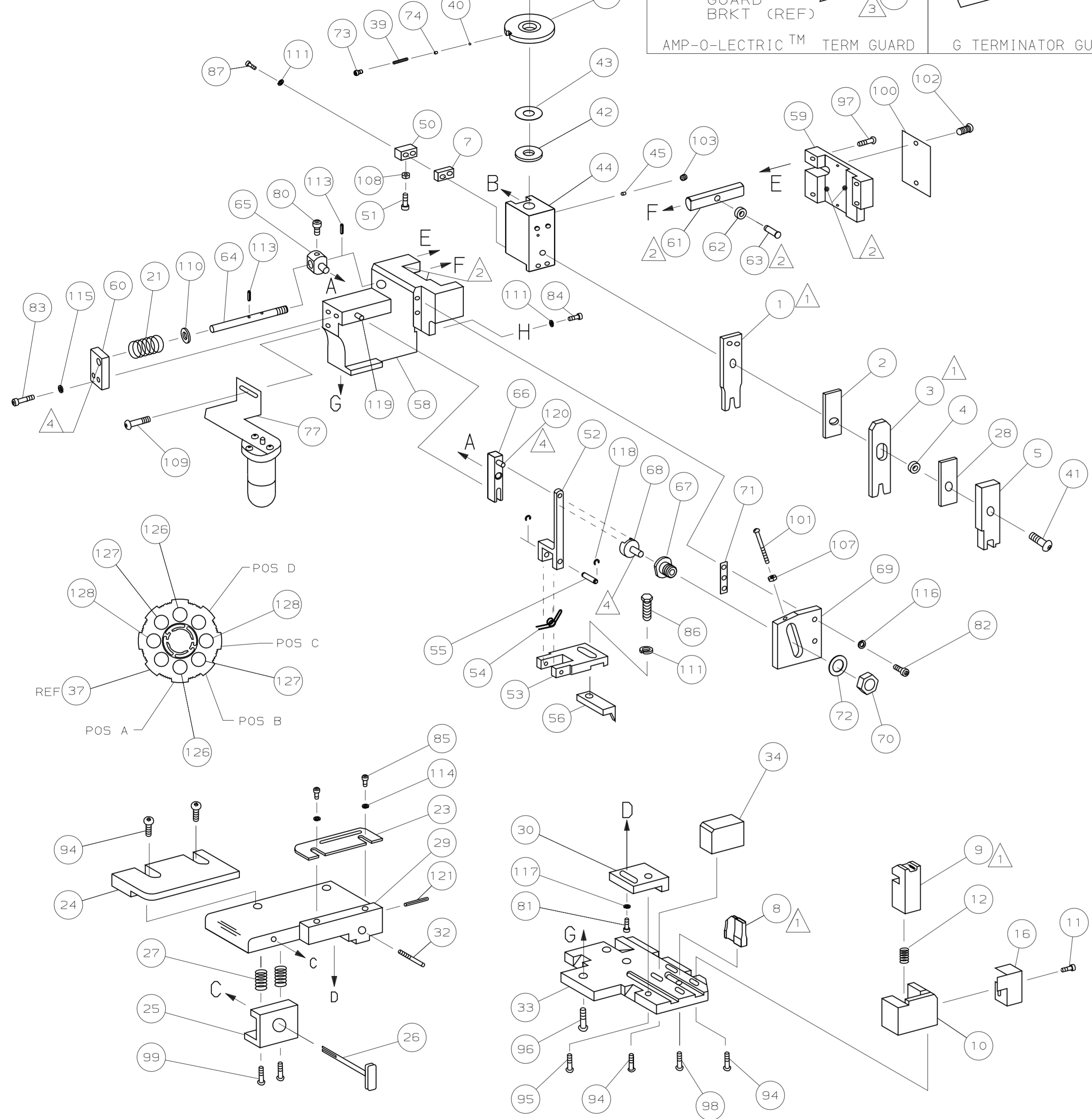
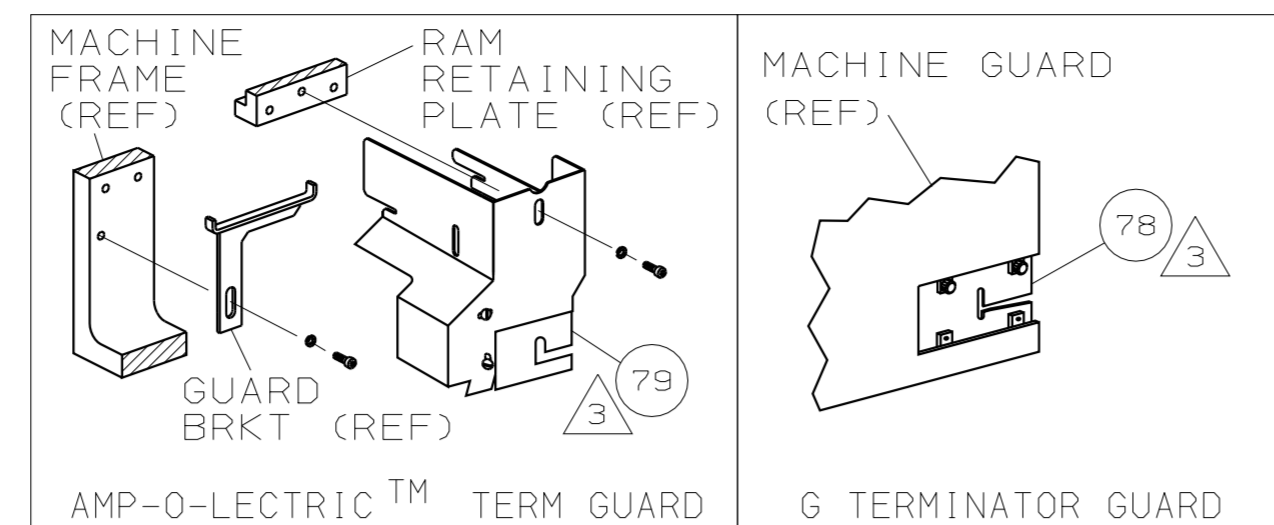


PART NUMBER	REV	FIRST USED
466384-1	B	122500-1
466384-2	C	565435-5
466384-3	E	122500-1
466384-4	H	565435-5
466384-5	H	354500-1

OBSOLETE SUPSD BY 466384-4 OBSOLETE

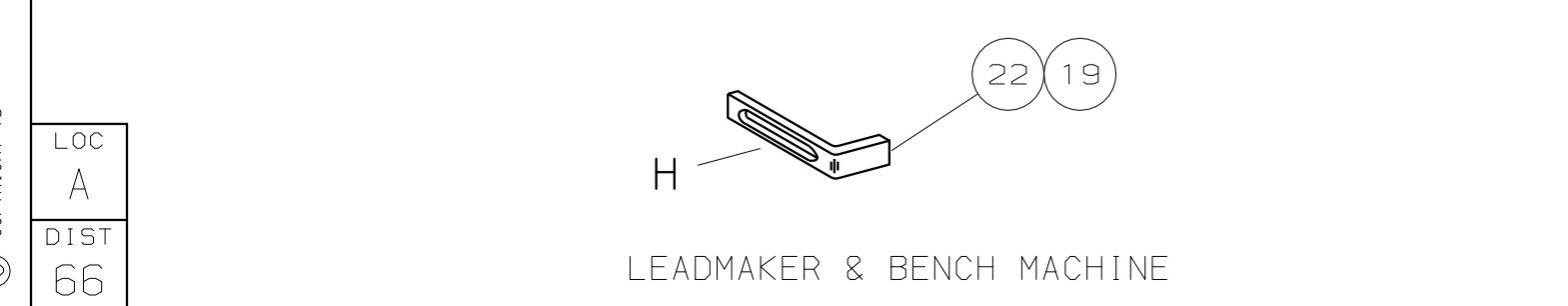
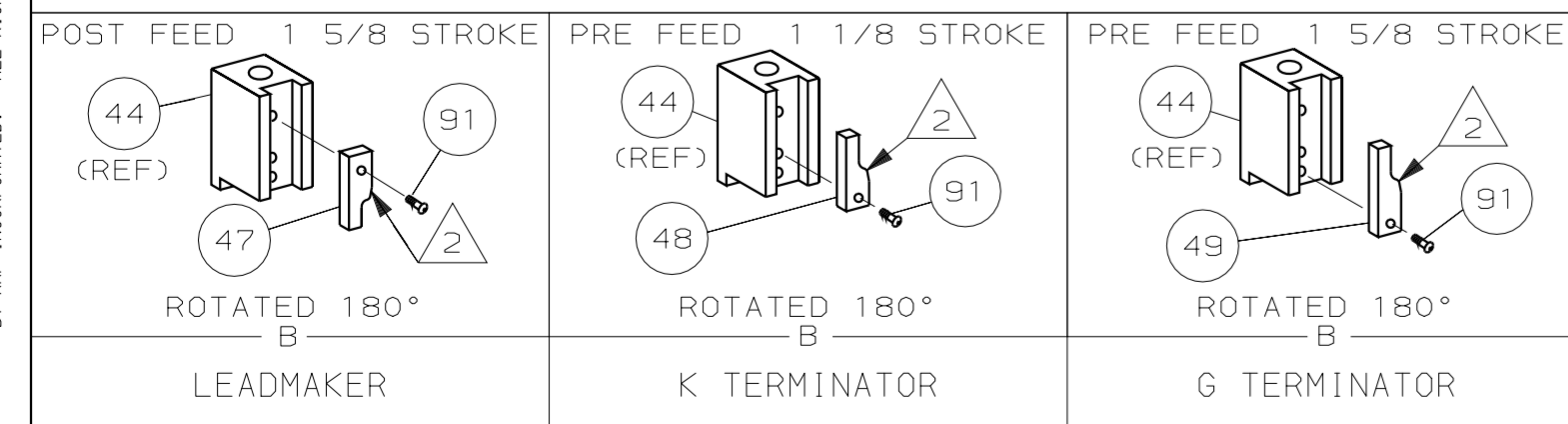


SOCKET		PIN		CRIMPING DATA		
SOCKET	PIN	PAD LTR	CRIMP HEIGHT	WIRE SIZE		
66582	66581	A	.053 ± .002 [1.35 ± 0.05mm]	18		
66655	66657	B	.048 ± .002 [1.22 ± 0.05mm]	20		
66720	66726	C	.045 ± .002 [1.14 ± 0.05mm]	22		
		D	NOT	USED		
CRIMP		SIZE	TYPE	RANGE		
WIRE		.070 [1.78mm]	F	22-18		
INSUL		.120 [3.05mm]	0	.050-.110		

WIRE STRIP LENGTH	TERM APPL SPEC	FEED	APPL INSTRUCTION	SET UP GAGE	LAYOUT
-	114-10007	.500	408-8040	458637-1	819

QTY	REF	REF	REF	REV	DESCRIPTION	ITEM NO	
2	2	2	-	C	2-354779-7	PIN, WIRE DISC (.3125)C	129
2	2	2	-	C	2-354779-1	PIN, WIRE DISC (.3095)B	127
2	2	2	-	C	1-354779-0	PIN, WIRE DISC (.3040)A	126
1	1	-	-	A	986950-1	WASHER, FLAT PRECISION	125
1	1	-	-	A	217238-1	GENERAL INSTRUCTION PACKAGE	124
1	1	-	-	-	4088040	SF APPL INST 408-8040	123
							122
1	1	-	-	A	4-21028-0	PIN,SLT SPR(Ø.093x.75)ST GDE PL	121
REF	REF	REF	-	A	1-21030-1	PIN,DOWEL(Ø.187x.50)LEVER	120
REF	REF	REF	-	A	1-21030-6	PIN,DOWEL(Ø.187x1.25)HOUSING	119
REF	REF	REF	-	A	21045-3	RING,RET "C"(Ø.187)FD FING PIN	118
1	1	-	-	A	21024-5	WASHER, LOCK (#10)ADJ BLOCK	117
REF	REF	REF	-	A	21024-5	WASHER,LOCK(#10)ADJ PLATE	116
REF	REF	REF	-	A	21024-5	WASHER,LOCK(#10)FEED GDE ROD	115
2	2	2	-	A	21024-2	WASHER,LOCK(#4)FRONT STP GUIDE	114
REF	REF	REF	-	A	5-21028-1	PIN,SLT SPR(Ø.125x.50)ADJ ROD	113
							112
4	4	4	-	A	21024-4	WASHER,LOCK(#8)STRIPPER	111
REF	REF	REF	-	A	21899-4	WASHER,FLAT(Ø5/16)SCREW ADJ	110
-	1	-	-	A	2-21002-6	SCR,BHC(10-32x.38)LUBE ASSY	109
1	1	-	-	A	21018-5	NUT,HEX(NØ.6)HOLDDOWN	108
REF	REF	REF	-	A	21018-5	NUT,HEX(6-32)FEED ADJ	107
							106
							105
							104
1	1	-	-	A	21009-2	SCR,SKT SET(1/4-20x.25 LW)RAM	103
2	2	2	-	A	21017-2	SCR,DRIVE(#2x.19)ID PLATE	102
REF	REF	REF	-	A	6-23715-5	SCR,PAN HD(6-32x1.50)FEED ADJ	101
1	1	-	-	B	461264-1	PLATE, IDENTIFICATION	100
2	2	2	-	A	3-21002-0	SCR,BHC(10-32x.88)DRAG	99
1	1	-	-	A	22733-8	SCR,BHC(8-32x.38 LW)ANVIL	98
REF	REF	REF	-	A	2-21002-9	SCR,BHC(10-32x.75)CAP	97
REF	REF	REF	-	A	2-22733-8	SCR,BHC(1/4-20x.62)HOUSING	96
REF	REF	REF	-	A	2-21002-7	SCR,BHC(10-32x.50)SG ADJ BLOCK	95
6	6	6	-	A	2-21002-2	SCR,BHC(8-32x.50)TERM H DWN	94
							93
							92
							91
1	1	-	-	A	1-21002-7	SCR,BHC(6-32x.38)CAM	90
							89
							88
							87
2	2	2	-	A	2-21000-8	SCR,SHC(8-32x.62)DEP-HOLD	86
1	1	-	-	A	2-22603-0	SCR,HEX HD(8-32x.31)FEED FINGER	85
2	2	2	-	A	1-21000-3	SCR,SHC(4-40x.25)F ST GUIDE	84
1	1	-	-	A	2-21000-7	SCR,SHC(8-32x.50)STRIPPER	83
REF	REF	REF	-	A	3-21000-7	SCR,SHC(10-32x.75)FEED ROD GD	82
REF	REF	REF	-	A	3-21000-6	SCR,SHC(10-32x.62)FD ADJ BLK	81
1	1	-	-	A	3-21000-4	SCR,SHC(10-32x.38)SG ADJ BL	80
REF	REF	REF	-	A	3-21000-4	SCR,SHC(10-32x.38)PIVOT BLK	79
-	REF	-	-	B	455749-1	GUARD, WINDOW	78
REF	-	-	-	B	679532-1	INSERT, GUARD	77
-	1	-	-	C	1-465184-0	LUBRICATOR ASSY	76
							75
1	1	-	-	A	690603-1	SPRING, ASSIST	74
1	1	-	-	A	23030-1	SCR,SHC(6-32x.25 SL)INS DISC	73
REF	REF	REF	-	A	458109-1	WASHER, SPECIAL	72
REF	REF	REF	-	A	690517-1	SPACER	71
-5	-4	-3	U/M	DWG SIZE	PART NO	DESCRIPTION	ITEM NO

- 1 RECOMMENDED SPARE PARTS.
- 2 GREASE LIGHTLY.
- 3 GUARD MUST BE IN PLACE WHEN OPERATING APPLICATOR IN A BENCH MACHINE.
- 4 LUBRICATE DAILY USING NO. 20 MACHINE OIL.
- 5. ITEMS WITH QTY OF REF SPECIFIED (EXCEPT ITEMS 78 AND 79) ARE USED ON ITEM 46.



REV	DESCRIPTION	REV	DESCRIPTION	REV	DESCRIPTION	REV	DESCRIPTION	REV	DESCRIPTION
-3	LEADMAKER		MECH POST FEED		OBSOLETE				
-4	BENCH MODEL K		MECH PRE FEED						
-5	BENCH MODEL G		MECH PRE FEED						
REF	REF	REF	-	B	22594-8	NUT,HEX(1/2-20)	70		
REF	REF	REF	-	B	240628-1	PLATE, ADJUSTMENT	69		
REF	REF	REF	-	B	240626-1	SHAFT, PIVOT	68		
REF	REF	REF	-	B	240633-1	BUSHING	67		
REF	REF	REF	-	A	455680-1	LEVER, INTERMEDIATE	66		
REF	REF	REF	-	B	240629-1	BLOCK, PIVOT	65		
REF	REF	REF	-	A	240632-2	SCREW, ADJ FEED ROD	64		
REF	REF	REF	-	B	240659-3	PIN, CAM ROLLER	63		
REF	REF	REF	-	B	240658-1	ROLLER, CAM	62		
REF	REF	REF	-	B	454398-2	ROD, FEED	61		
REF	REF	REF	-	A	454178-1	GUIDE, FEED ROD	60		
REF	REF	REF	-	C	454220-1	CAP, RAM	59		
REF	REF	REF	-	D	454485-1	HOUSING	58		
							57		
1	1	-	-	B	690542-2	PAWL, FEED	56		
REF	REF	REF	-	B	240624-1	PIN, FEED FINGER	55		
REF	REF	REF	-	B	691499-1	SPRING, FEED FINGER	54		
REF	REF	REF	-	B	690541-1	HOLDER, FEED FINGER	53		
REF	REF	REF	-	A	455679-1	LEVER, TERMINAL FEED ARM	52		
1	1	-	-	A	811242-2	BUMPER, HOLDDOWN	51		
1	1	-	-	A	690753-1	SPACER, TONKER	50		
1	-	-	-	B	690602-6	CAM, PRE-FEED 1 5/8 ST	49		
-	1	-	-	B	690602-5	CAM, PRE-FEED 1 1/8 ST	48		
-	-	-	-	B	690501-4	CAM, POST-FEED 1 5/8 ST	47		
1	1	-	-	B	459456-1	APPLICATOR, BASIC (SUBASSY)	46		
1	1	-	-	A	690191-1	PLUG, NYLON	45		
1	1	-	-	C	455673-1	RAM	44		
1	1	-	-	A	690125-1	WASHER, LAMINATED	43		
1	1	-	-	A	690124-1	WASHER, RAM	42		
1	1	-	-	A	7-21002-9	BOLT, CRIMPER(5/16x1.00)	41		
1	1	-	-	A	23241-6	BALL, STEEL	40		
1	1	-	-	A	690170-1	SPRING, COMPRESSION	39		
1	1	-	-	C	690142-1	DISC, INSULATION	38		
1	1	-	-	D	354777-1	WIRE DISC, PLASTIC	37		
1	1	-	-	A	22480-5	WASHER, SPRING	36		
1	1	-	-	B	690212-1	POST, RAM	35		
1	1	-	-	B	690786-6	SUPPORT, TERMINAL	34		
REF	REF	REF	-	D	455675-1	PLATE, BASE	33		
1	1	-	-	A	690432-3	SCREW, ADJUSTMENT	32		
							31		
REF	REF	REF	-	B	455689-1	BLOCK, STRIP GUIDE ADJ	30		
1	1	-	-	C	455671-3	PLATE, STRIP GUIDE	29		
1	1	-	-	C	1-455888-0	SPACER, FRONT SHEAR DEP	28		
2	2	2	-	A	1-22284-0	SPRING, DRAG	27		
1	1	-	-	B	690546-1	LEVER, DRAG RELEASE	26		
1	1	-	-	B	240792-1	DRAG, TERMINAL	25		
1	1	-	-	D	6-690504-5	GUIDE, STRIP (REAR)	24		
1	1	-	-	A	690438-1	GUIDE, STRIP (FRONT)	23		
-	-	-	-	B	690472-2	STRIPPER	22		
REF	REF	REF	-	A	4-22284-9	SPRING, FEED RETURN	21		
							20		
1	1	-	-	B	691353-1	STRIPPER	19		
							18		
							17		
1	1	-	-	B	318563-1	GUARD, CHIP, FRONT	16		
							15		
							14		
							13		
1	1	-	-	A	3-22280-3	SPRING, SHEAR	12		
1	1	-	-	B	690461-1	STOP, SHEAR	11		
1	1	-	-	C	690459-1	HOLDER, SHEAR (FRONT)	10		
1	1	-	-	C	462006-1	SHEAR, FLOAT (FRONT)	9		
1	1	-	-	C	5-458834-4	ANVIL	8		
1	1	-	-	C	240641-5	SPACER, DEPRESSOR (REAR)	7		
							6		
1	1	-	-	C	2-455889-0	DEPRESSOR, SHEAR (FRONT)	5		
1	1	-	-	B	238011-4	SPACER, BLOCK CRIMPER	4		
1	1	-	-	C	1-456135-7	CRIMPER, INSULATION	3		
1	1	-	-	C	455888-1	SPACER, CRIMPER	2		
1	1	-	-	C	1-456404-0	CRIMPER, WIRE	1		

QTY	REF	REF	REF	REV	DESCRIPTION	ITEM NO	
-5	-4	-3	U/M	DWG SIZE	PART NO	DESCRIPTION	ITEM NO