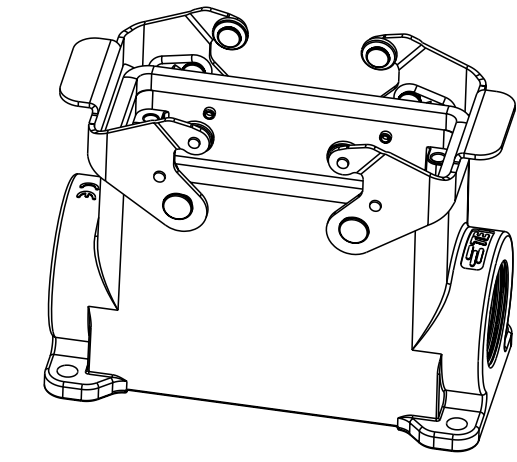
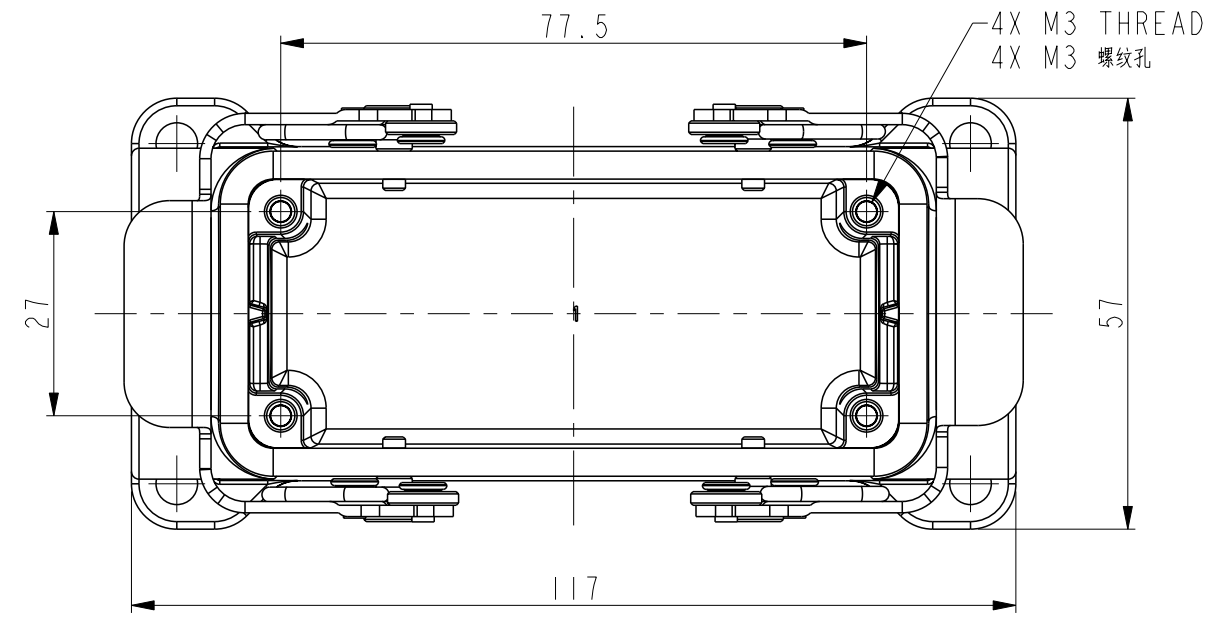


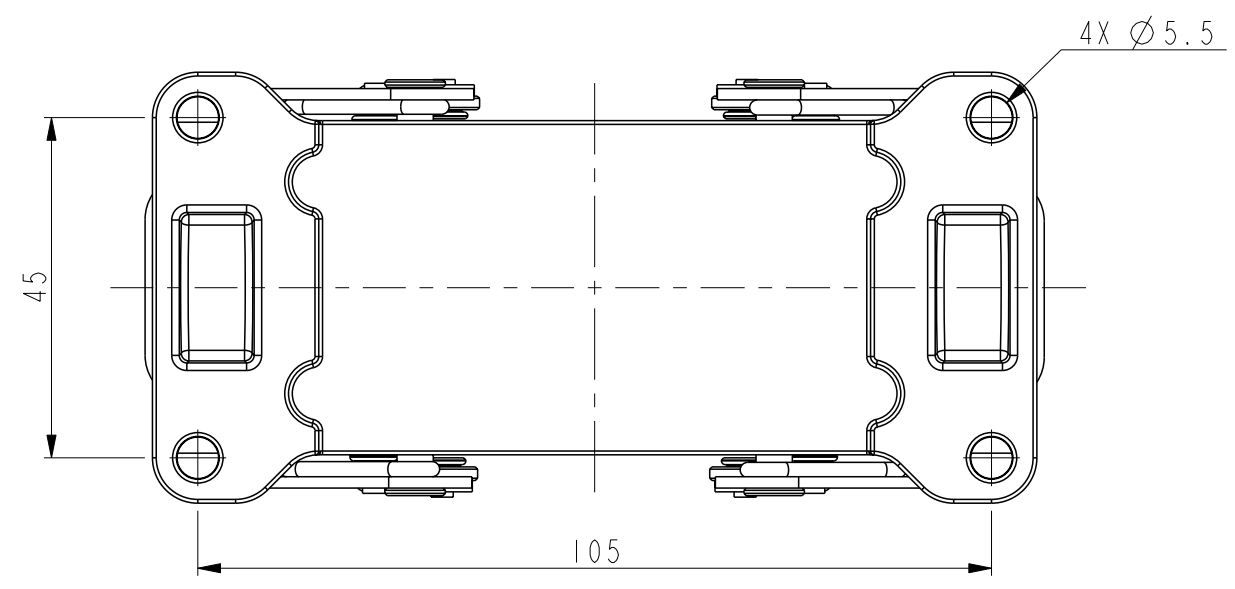
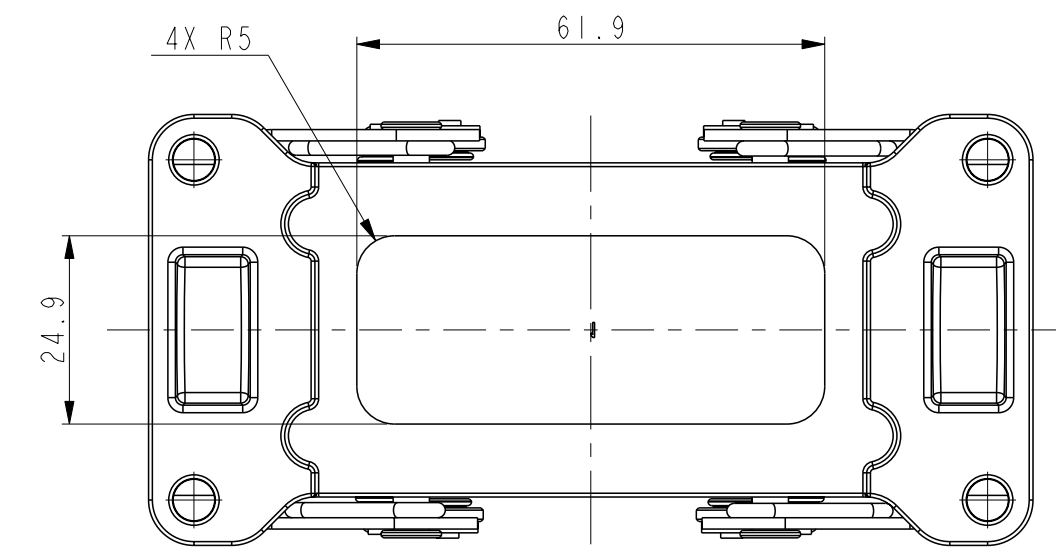
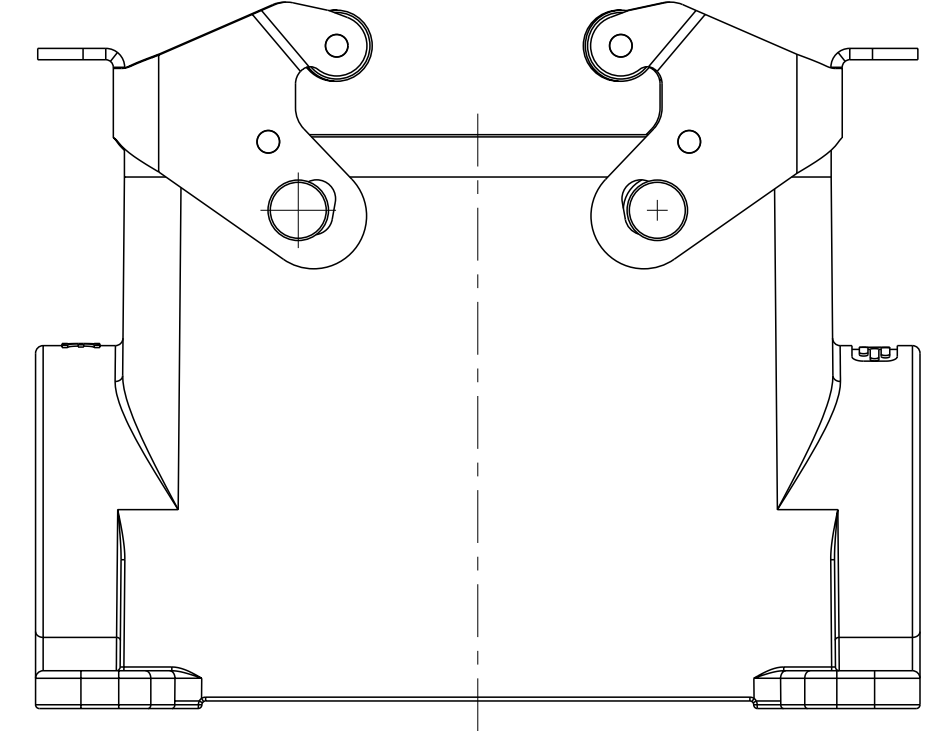
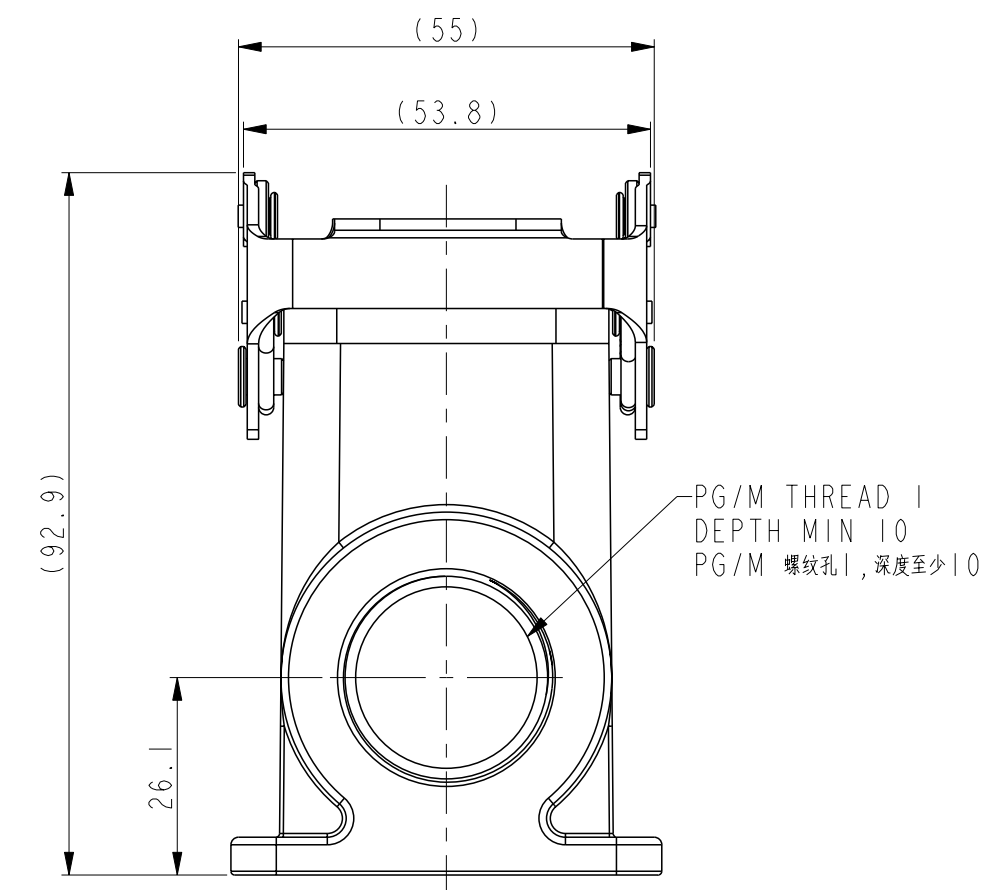
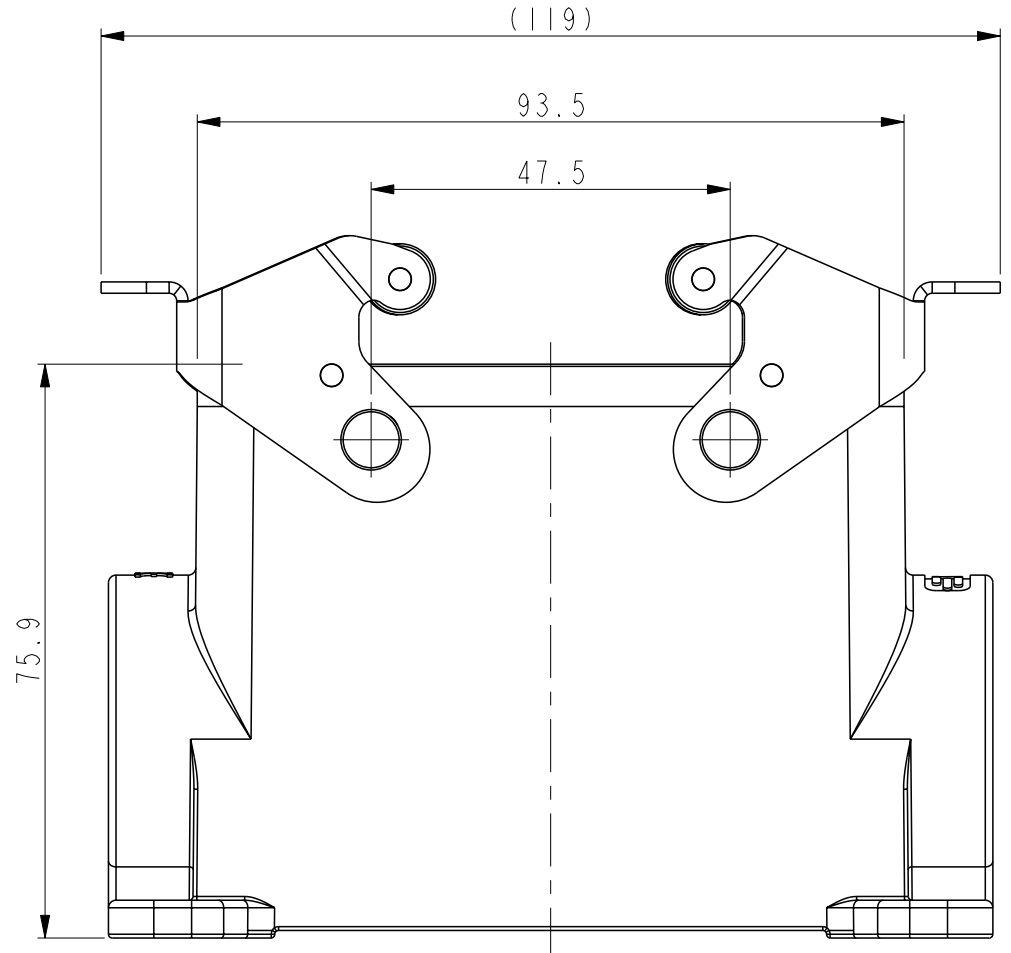
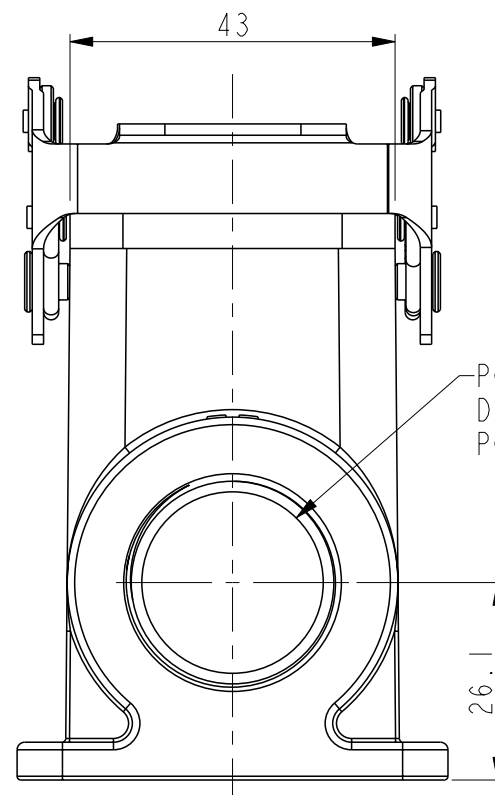
THIS DRAWING IS UNPUBLISHED. RELEASED FOR PUBLICATION 20
 © COPYRIGHT 20 BY - ALL RIGHTS RESERVED.

REVISIONS				
P	LTR	DESCRIPTION	DATE	APVD
A		INITIAL RELEASE	22JUN2015	DL CW
AI		ECR-17-018760	29DEC2017	CH CW
B		ECR-20-008190	14SEP2020	WQR CW



NOTES:
 1. TECHNICAL CHARACTERISTICS:
 HOUSING MATERIAL: DIE CAST ALUMINIUM ALLOY
 SURFACE TREATMENT: POWDER COATED, GREY
 DEGREE OF PROTECTION: IP65 (MATED)

注释:
 1. 技术参数:
 主体材料: 铝合金
 表面处理: 灰色粉末喷涂
 防护等级: IP65(配合)



TYPE 1: HIGH CONSTRUCTION + STAINLESS STEEL
 DOUBLE LOCKING, SIDE ENTRY
 类型1: 高结构+不锈钢双扣, 侧出

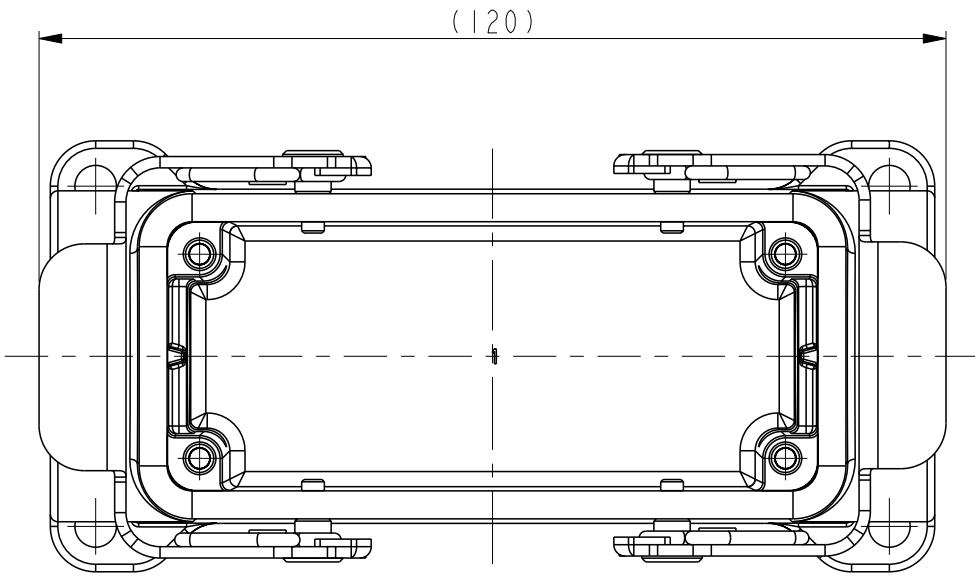
TYPE 2: HIGH CONSTRUCTION + STAINLESS STEEL
 DOUBLE LOCKING, SIDE ENTRY + BOTTOM CUT OUT,
 OTHER SPEC REFER TO TYPE 1.
 类型2: 高结构+不锈钢双扣, 侧出+底部开孔, 其它参照类型1.

THIS DRAWING IS A CONTROLLED DOCUMENT.		DWN DAVID.LI 22JUN2015	TE Connectivity	
DIMENSIONS: mm		CHK CHRIS.WANG 22JUN2015		
TOLERANCES UNLESS OTHERWISE SPECIFIED:		APVD XIANG.XU 22JUN2015	NAME HI6B-SGRHS-PG/M	
0 PLC ±-		PRODUCT SPEC 108-137013	SIZE A2	
1 PLC ±-		APPLICATION SPEC 114-137013	CAGE CODE -	
2 PLC ±-		WEIGHT -	DRAWING NO. C-TI47016XXXX000	
3 PLC ±-		CUSTOMER DRAWING	RESTRICTED TO	
4 PLC ±-		SCALE 1:1	SHEET 1 OF 3	
ANGLES ±-			REV B	
FINISH -				

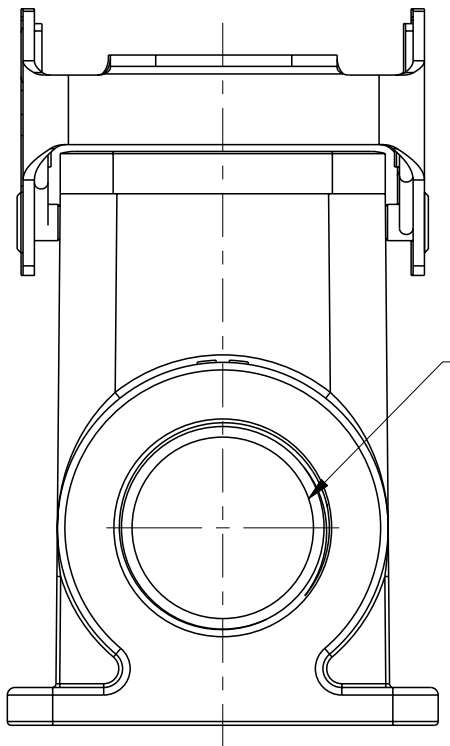
printed on 14 Apr 2021 13:16 (China Standard Time) from TE343646

THIS DRAWING IS UNPUBLISHED. RELEASED FOR PUBLICATION 20
 © COPYRIGHT 20 BY - ALL RIGHTS RESERVED.

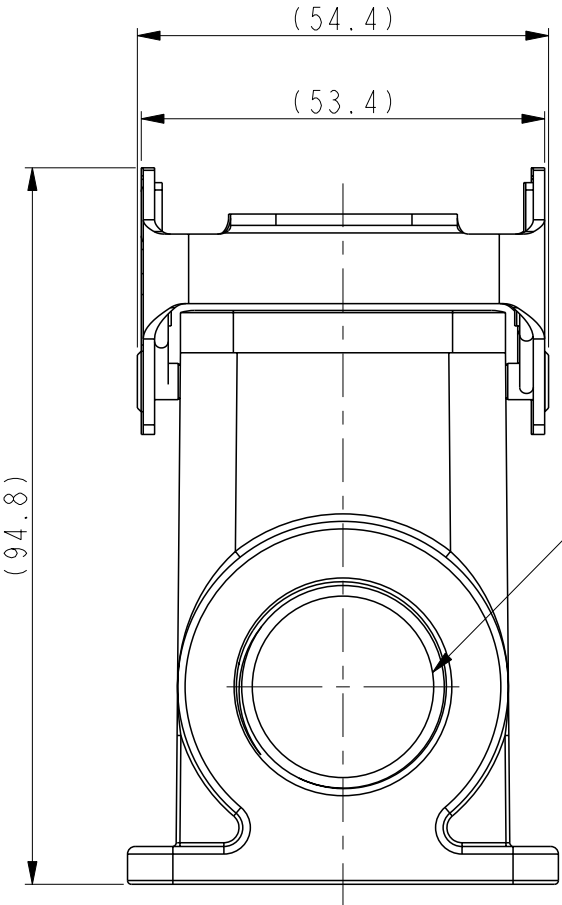
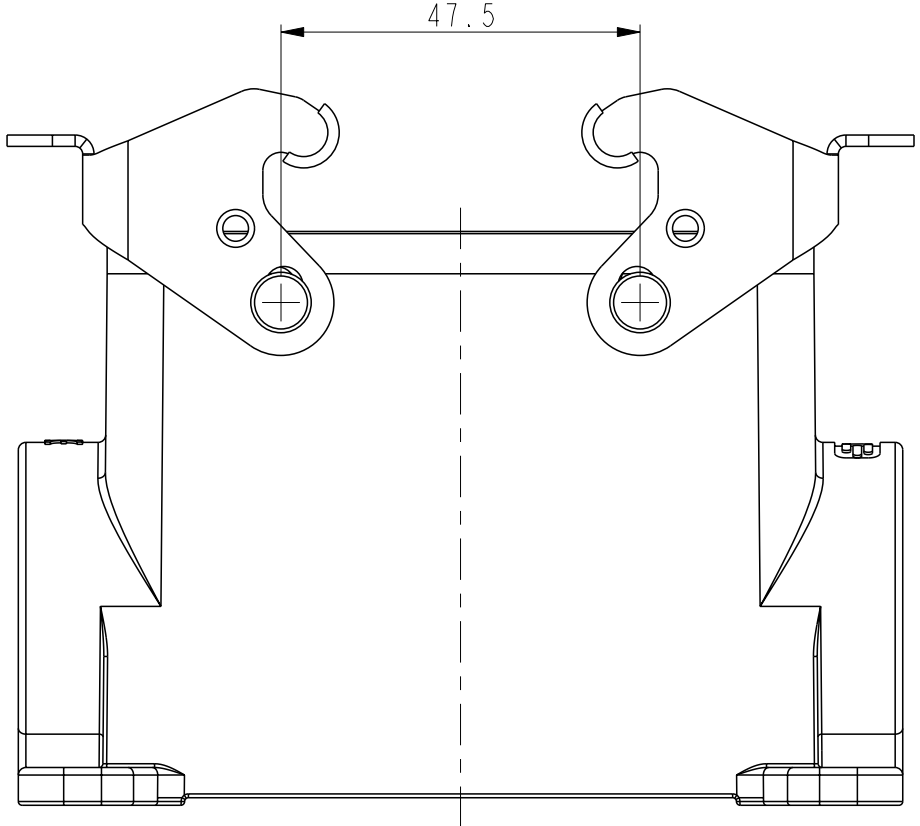
REVISIONS				
P	LTR	DESCRIPTION	DATE	APVD
-		SEE SHEET 1	-	-



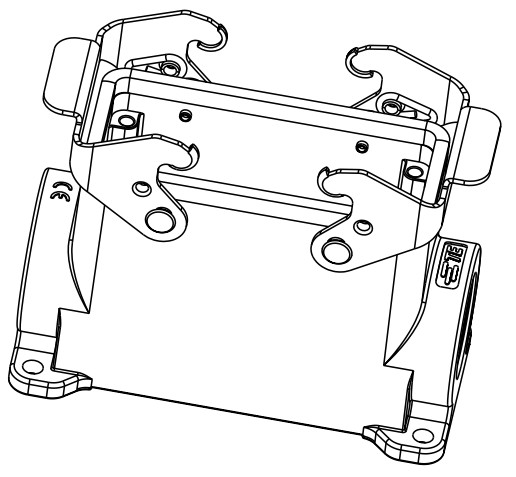
NOTES:
SEE SHEET 1



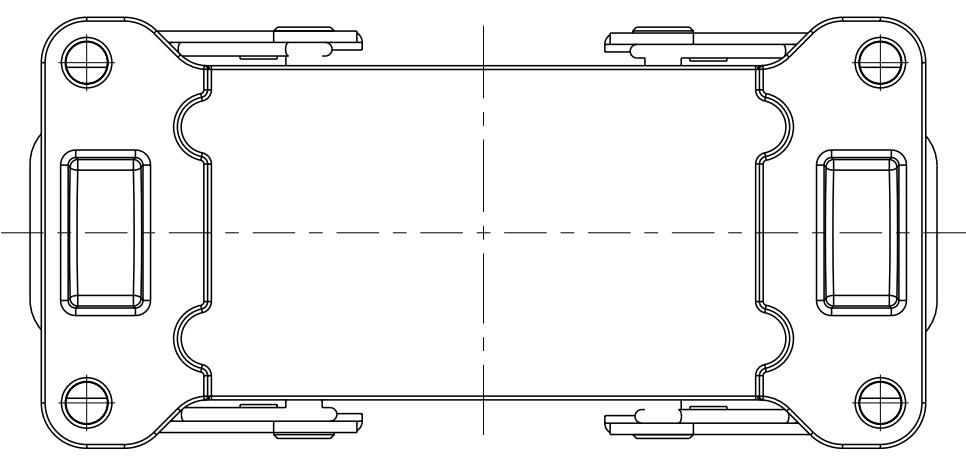
PG/M THREAD 2
DEPTH MIN 10
PG/M 螺纹孔2, 深度至少10



PG/M THREAD 1
DEPTH MIN 10
PG/M 螺纹孔1, 深度至少10



SCALE 1:2



TYPE 3: HIGH CONSTRUCTION + METAL DOUBLE LOCKING,
SIDE ENTRY, OTHER SPEC REFER TO TYPE 1.
类型3: 高结构+彩锌双扣, 侧出, 其它参照类型1.

THIS DRAWING IS A CONTROLLED DOCUMENT.		DWN DAVID.LI 22JUN2015	STE TE Connectivity	
DIMENSIONS: mm		CHK CHRIS.WANG 22JUN2015		
TOLERANCES UNLESS OTHERWISE SPECIFIED:		APVD XIANG.XU 22JUN2015	NAME HI6B-SGRHS-PG/M	
0 PLC ±-		PRODUCT SPEC 108-137013	SIZE A2	
1 PLC ±-		APPLICATION SPEC 114-137013	CAGE CODE -	
2 PLC ±-		WEIGHT -	DRAWING NO. C-TI47016XXXX000	
3 PLC ±-		CUSTOMER DRAWING	RESTRICTED TO	
4 PLC ±-			SCALE 1:2 SHEET 2 OF 3 REV B	
ANGLES ±-				
FINISH -				

Printed on 14 Apr 2021 13:16 (China Standard Time) from TE343646

THIS DRAWING IS UNPUBLISHED. RELEASED FOR PUBLICATION 20
 © COPYRIGHT 20 BY - ALL RIGHTS RESERVED.

REVISIONS					
P	LTR	DESCRIPTION	DATE	DWN	APVD
-		SEE SHEET 1	-	-	-

NOTES:
SEE SHEET 1

PART NUMBER 料号	PART DESCRIPTION 描述	PG/M THREAD 1 PG/M 螺纹孔1	PG/M THREAD 2 PG/M 螺纹孔2	TYPE 类型
T1470162232-000	H16B-SGRH-2M32 H16B HOUSING, SURFACE MOUNTED, METAL DOUBLE LOCKING, 2M32, HIGH CONSTRUCTION, POWDER COATED, GREY H16B下壳, 表面安装, 彩锌双扣, 2M32, 高结构, 灰色粉末喷涂	M32	M32	TYPE 3 类型 3
T1470162229-000	H16B-SGRH-2PG29 H16B HOUSING, SURFACE MOUNTED, METAL DOUBLE LOCKING, 2PG29, HIGH CONSTRUCTION, POWDER COATED, GREY H16B下壳, 表面安装, 彩锌双扣, 2PG29, 高结构, 灰色粉末喷涂	PG29	PG29	
T1470162225-000	H16B-SGRH-2M25 H16B HOUSING, SURFACE MOUNTED, METAL DOUBLE LOCKING, 2M25, HIGH CONSTRUCTION, POWDER COATED, GREY H16B下壳, 表面安装, 彩锌双扣, 2M25, 高结构, 灰色粉末喷涂	M25	M25	
T1470162221-000	H16B-SGRH-2PG21 H16B HOUSING, SURFACE MOUNTED, METAL DOUBLE LOCKING, 2PG21, HIGH CONSTRUCTION, POWDER COATED, GREY H16B下壳, 表面安装, 彩锌双扣, 2PG21, 高结构, 灰色粉末喷涂	PG21	PG21	
T1470162132-000	H16B-SGRH-M32 H16B HOUSING, SURFACE MOUNTED, METAL DOUBLE LOCKING, M32, HIGH CONSTRUCTION, POWDER COATED, GREY H16B下壳, 表面安装, 彩锌双扣, M32, 高结构, 灰色粉末喷涂	M32	-	
T1470162129-000	H16B-SGRH-PG29 H16B HOUSING, SURFACE MOUNTED, METAL DOUBLE LOCKING, PG29, HIGH CONSTRUCTION, POWDER COATED, GREY H16B下壳, 表面安装, 彩锌双扣, PG29, 高结构, 灰色粉末喷涂	PG29	-	
T1470162125-000	H16B-SGRH-M25 H16B HOUSING, SURFACE MOUNTED, METAL DOUBLE LOCKING, M25, HIGH CONSTRUCTION, POWDER COATED, GREY H16B下壳, 表面安装, 彩锌双扣, M25, 高结构, 灰色粉末喷涂	M25	-	
T1470162121-000	H16B-SGRH-PG21 H16B HOUSING, SURFACE MOUNTED, METAL DOUBLE LOCKING, PG21, HIGH CONSTRUCTION, POWDER COATED, GREY H16B下壳, 表面安装, 彩锌双扣, PG21, 高结构, 灰色粉末喷涂	PG21	-	TYPE 2 类型2
T1470165121-000	H16B-SGRHS-PG21 H16B HOUSING, SURFACE MOUNTED, STAINLESS STEEL DOUBLE LOCKING, PG21, HIGH CONSTRUCTION, MILL ON BOTTOM, POWDER COATED, GREY H16B下壳, 表面安装, 不锈钢双扣, PG21, 高结构, 底部铣槽, 灰色粉末喷涂	PG21	-	
T1470161232-000	H16B-SGRHS-2M32 H16B HOUSING, SURFACE MOUNTED, STAINLESS STEEL DOUBLE LOCKING, 2M32, HIGH CONSTRUCTION, POWDER COATED, GREY H16B下壳, 表面安装, 不锈钢双扣, 2M32, 高结构, 灰色粉末喷涂	M32	M32	
T1470161229-000	H16B-SGRHS-2PG29 H16B HOUSING, SURFACE MOUNTED, STAINLESS STEEL DOUBLE LOCKING, 2PG29, HIGH CONSTRUCTION, POWDER COATED, GREY H16B下壳, 表面安装, 不锈钢双扣, 2PG29, 高结构, 灰色粉末喷涂	PG29	PG29	TYPE 1 类型1
T1470161221-000	H16B-SGRHS-2PG21 H16B HOUSING, SURFACE MOUNTED, STAINLESS STEEL DOUBLE LOCKING, 2PG21, HIGH CONSTRUCTION, POWDER COATED, GREY H16B下壳, 表面安装, 不锈钢双扣, 2PG21, 高结构, 灰色粉末喷涂	PG21	PG21	
T1470161140-000	H16B-SGRHS-M40 H16B HOUSING, SURFACE MOUNTED, STAINLESS STEEL DOUBLE LOCKING, M40, HIGH CONSTRUCTION, POWDER COATED, GREY H16B下壳, 表面安装, 不锈钢双扣, M40, 高结构, 灰色粉末喷涂	M40	-	
T1470161132-000	H16B-SGRHS-M32 H16B HOUSING, SURFACE MOUNTED, STAINLESS STEEL DOUBLE LOCKING, M32, HIGH CONSTRUCTION, POWDER COATED, GREY H16B下壳, 表面安装, 不锈钢双扣, M32, 高结构, 灰色粉末喷涂	M32	-	
T1470161129-000	H16B-SGRHS-PG29 H16B HOUSING, SURFACE MOUNTED, STAINLESS STEEL DOUBLE LOCKING, PG29, HIGH CONSTRUCTION, POWDER COATED, GREY H16B下壳, 表面安装, 不锈钢双扣, PG29, 高结构, 灰色粉末喷涂	PG29	-	
T1470161121-000	H16B-SGRHS-PG21 H16B HOUSING, SURFACE MOUNTED, STAINLESS STEEL DOUBLE LOCKING, PG21, HIGH CONSTRUCTION, POWDER COATED, GREY H16B下壳, 表面安装, 不锈钢双扣, PG21, 高结构, 灰色粉末喷涂	PG21	-	
T1470160000-000	H16B-SGRHS-T H16B HOUSING, SURFACE MOUNTED, STAINLESS STEEL DOUBLE LOCKING, NO ENTRY, HIGH CONSTRUCTION, POWDER COATED, GREY H16B下壳, 表面安装, 不锈钢双扣, 不开孔, 高结构, 灰色粉末喷涂	-	-	

THIS DRAWING IS A CONTROLLED DOCUMENT.

DWN	DAVID.LI	22 JUN 2015
CHK	CHRIS.WANG	22 JUN 2015
APVD	XIANG.XU	22 JUN 2015

PRODUCT SPEC: 108-137013
 APPLICATION SPEC: 114-137013

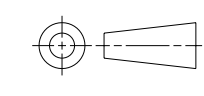
NAME: H16B-SGRHS-PG/M

SIZE: A2 CAGE CODE: - DRAWING NO: C-T147016XXXX000 RESTRICTED TO: B

SCALE: 1:1 SHEET: 3 OF 3 REV: B

CUSTOMER DRAWING

DIMENSIONS:		TOLERANCES UNLESS OTHERWISE SPECIFIED:	
mm		0 PLC	±-
		1 PLC	±
		2 PLC	±-
		3 PLC	±-
		4 PLC	±-
		ANGLES	±-
		FINISH	-



Printed on 14 Apr 2021 13:16 (China Standard Time) from TE343646