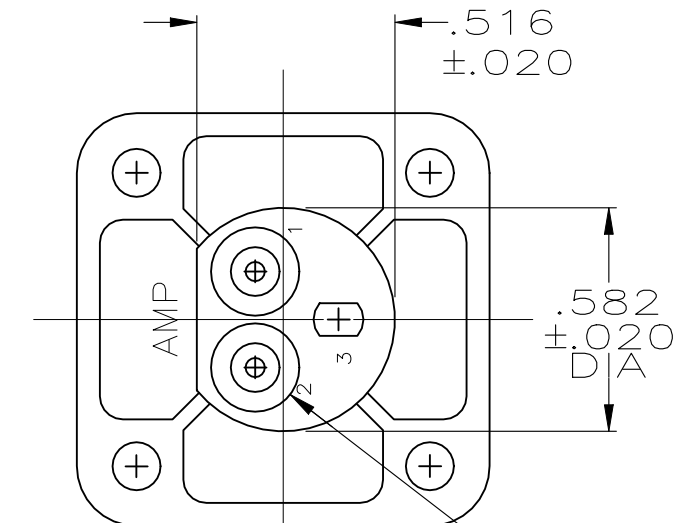
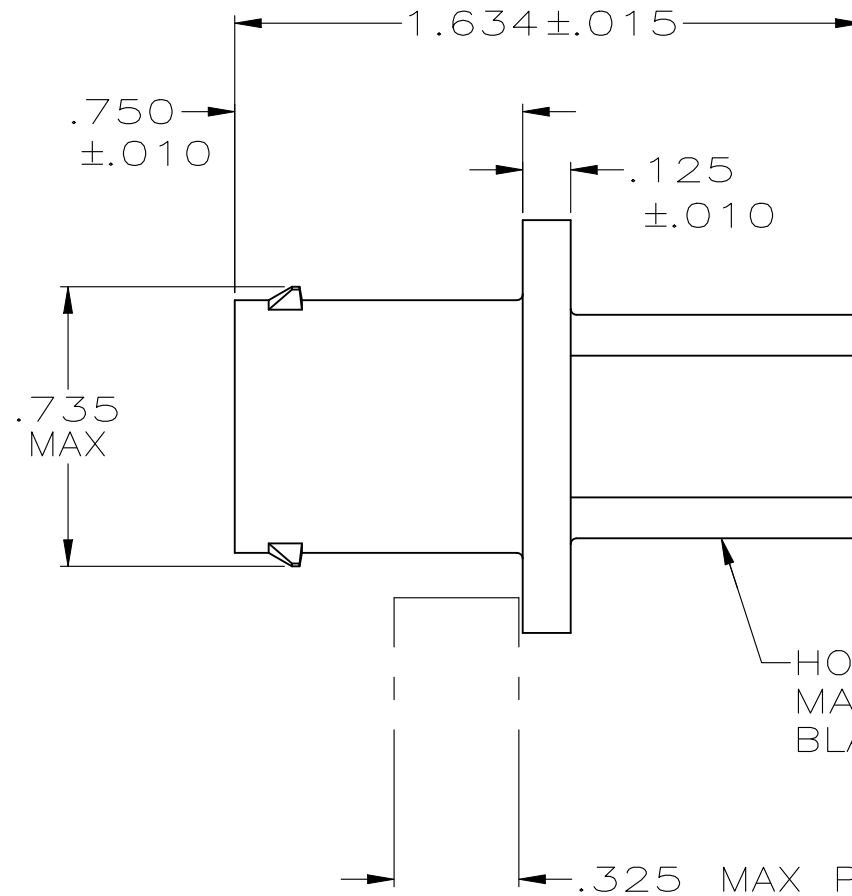
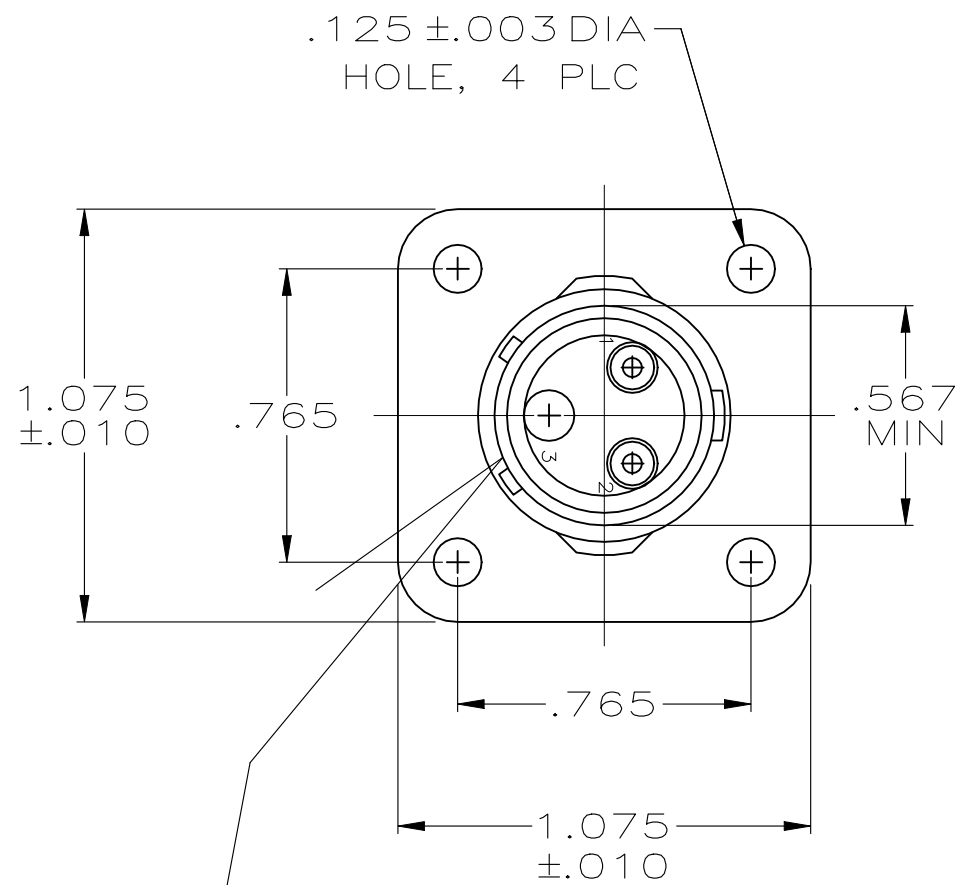


REVISIONS

P	LTR	DESCRIPTION	DATE	DWN	APVD
G		PER PCN E-20-018081	10MAR2021	SCK	



HOUSING MATERIAL: THERMOPLASTIC BLACK

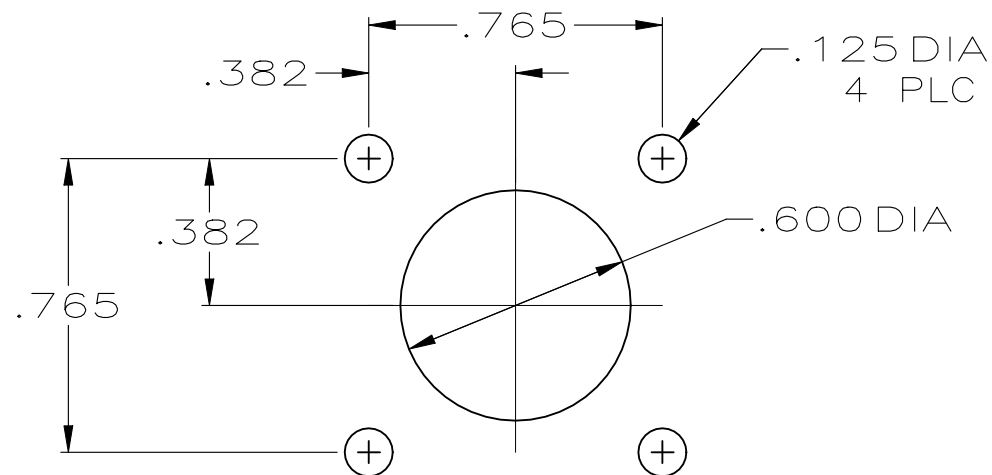
DISCRETE WIRE SEALS (2) MATERIAL: ELASTOMER BLACK

PERIPHERAL SEAL MATERIAL: ELASTOMER BLACK

1. WIRE INSULATION SEALING RANGE .070-.130 DIA.
2. THIN MEMBRANE PERMISSIBLE ON SMALL DIAMETER OF WIRE SEALS.
3. ROTATION OF CAVITY CIRCUIT KEY FROM PART TO PART IS PERMISSIBLE.

207853-1

PART NUMBER



RECOMMENDED PANEL CUTOUT

THIS DRAWING IS A CONTROLLED DOCUMENT.		DWN J GALLUCCI BG 8-21-90	<b>STE</b> TE Connectivity		
DIMENSIONS: INCHES		CHK -			
TOLERANCES UNLESS OTHERWISE SPECIFIED:		APVD -	ECONOSEAL, SQUARE FLANGE RECEPTACLE, SHELL SIZE 10, 2 POSITION, PIN CONTACTS		
0 PLC ± -		PRODUCT SPEC -	APPLICATION SPEC		
1 PLC ± -		APVD -	SIZE	CAGE CODE	DRAWING NO
2 PLC ± -		APVD -	A3	00779	C-207853
3 PLC ± .005		APVD -	RESTRICTED TO		
4 PLC ± -		APVD -	-		
ANGLES ± -		APVD -	SCALE 2:1		
FINISH		APVD -	SHEET 1 OF 1		
MATERIAL SEE CALLOUT		APVD -	REV G		
		WEIGHT 0.000000	CUSTOMER DRAWING		