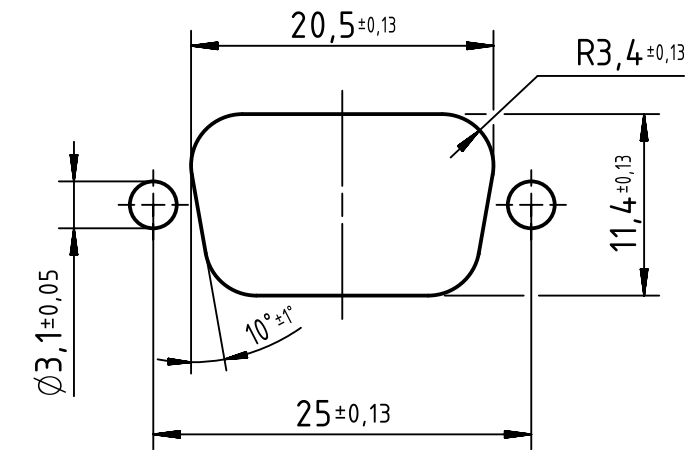
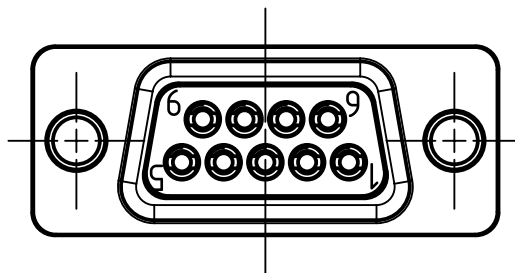
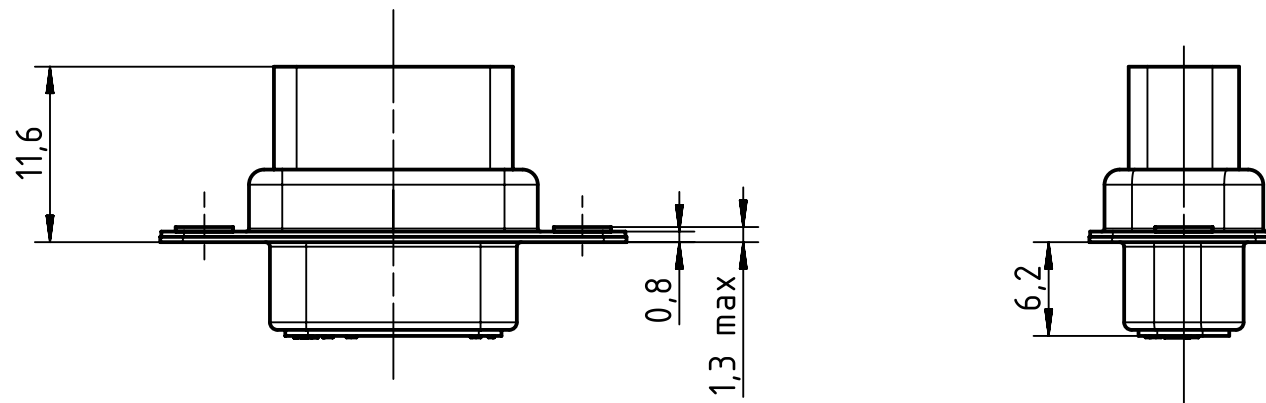


Rear mounting panel cut out



Front mounting panel cut out



	All rights reserved Department EC PD - CN	All Dimensions in mm Original Size DIN A3			Scale 2:1	Free size tol.	Ref. Sub.
		HARTING Electronics GmbH D-32339 Espelkamp	Created by ZHUANGJ	Inspected by LUOK	Standardisation HOFFMANN	Date 2017-04-06	State Final Release
		Title D-Sub crimp 09-pole female assembly					Doc-Key / ECM-Nr. 100235554/UGD/001/B 500000117639
		Type TB	Number 09670094701			Rev. B	Page 1/1