

# AXL F PSDO8/3 1F - Safety module



2701560

<https://www.phoenixcontact.com/us/products/2701560>

Please be informed that the data shown in this PDF document is generated from our online catalog. Please find the complete data in the user documentation. Our general terms of use for downloads are valid.



Axioline F, Digital output module, Functional safety, PROFIsafe, only for connection to Phoenix Contact or Siemens controller, Digital outputs: 4 (for 2-channel assignment), 8 (for 1-channel assignment), 2 A, connection technology: 2-, 3-conductor, degree of protection: IP20

## Product description

The safety module is an output module from the Axioline F product range designed for use in a PROFIsafe system. The module has four safe digital outputs for two-channel assignment or eight safe digital outputs for single-channel assignment. The outputs can be parameterized according to the application and enable the integration of actuators in the PROFIsafe system.

## Your advantages

- Up to Cat. 4/PL e in accordance with EN ISO 13849-1, SIL 3 in accordance with EN IEC 62061, SIL 3 in accordance with IEC 61508

## Commercial data

Item number	2701560
Packing unit	1 pc
Minimum order quantity	1 pc
Sales key	DN03
Product key	DNA531
Catalog page	Page 271 (C-6-2019)
GTIN	4046356769938
Weight per piece (including packing)	256.7 g
Weight per piece (excluding packing)	222 g
Customs tariff number	85389091
Country of origin	DE

# AXL F PSDO8/3 1F - Safety module

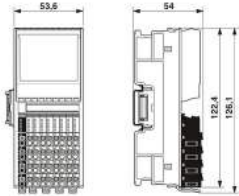


2701560

<https://www.phoenixcontact.com/us/products/2701560>

## Technical data

### Dimensions

Dimensional drawing	
Width	53.6 mm
Height	126.1 mm
Depth	54 mm
Note on dimensions	Housing dimensions

### Interfaces

#### Axioline F local bus

Connection method	Bus base module
-------------------	-----------------

### System properties

#### Module

Input address area	5 Byte
Output address area	5 Byte
Required parameter data	22 Byte ((I-and F-parameters))
Required configuration data	10 Byte

### Output data

#### Digital

Output name	Digital outputs
Connection method	Direct plug-in technology
Connection technology	2-, 3-conductor
Number of outputs	4 (for 2-channel assignment) 8 (for 1-channel assignment) 8
Protective circuit	Overload protection, freewheeling circuit for inductive loads, Discharge circuit for accelerated discharge of capacitive loads
Output voltage	24 V DC
Output current	max. 2 A (per channel) max. 1.5 A (per channel according to CUL <sub>US</sub> ) max. 4 A (per group) max. 3 A (per group according to CUL <sub>US</sub> ) max. 8 A (Total current of all outputs; Please observe the notes)

# AXL F PSDO8/3 1F - Safety module



2701560

<https://www.phoenixcontact.com/us/products/2701560>

	in the user manual.)
	max. 6 A (Total current of all outputs according to $CUL_{US}$ )
Maximum output current per channel	2 A
Maximum output current per module / terminal block	8 A
Permissible cable length	max. 1000 m (Forward and return line in total)
Behavior with overload	Affected output is disabled and a diagnostic message is generated.

## Product properties

Type	modular
Product type	I/O component
Product family	Axioline F
Application	Functional safety
	PROFIsafe
	only for connection to Phoenix Contact or Siemens controller

## Electrical properties

Maximum power dissipation for nominal condition	24.12 W
Transmission medium	Copper

### Potentials

Protective circuit	Protection against polarity reversal, EMC protective circuit, undervoltage detection
--------------------	--

### Potentials: Axioline F local bus supply ( $U_{BUS}$ )

Supply voltage	5 V DC (via bus base module)
Current draw	max. 280 mA
	typ. 260 mA (all outputs set; supply by $U_O$ of 19.2 V DC ... 30 V DC)

### Potentials: Supply for digital output modules ( $U_O$ )

Supply voltage	24 V DC
Supply voltage range	19.2 V DC ... 30 V DC (including all tolerances, including ripple)
Current draw	typ. 25 mA (all outputs set; supply from $U_O$ with 30 V DC; without supply to the actuators)

## Connection data

### Connection technology

Connection name	Axioline F connector
-----------------	----------------------

### Conductor connection

Connection method	Push-in connection
Conductor cross section rigid	0.2 mm <sup>2</sup> ... 1.5 mm <sup>2</sup>
Conductor cross section flexible	0.2 mm <sup>2</sup> ... 1.5 mm <sup>2</sup>
Conductor cross section AWG	24 ... 16

### Axioline F connector

# AXL F PSDO8/3 1F - Safety module



2701560

<https://www.phoenixcontact.com/us/products/2701560>

Connection method	Push-in connection
Conductor cross section, rigid	0.2 mm <sup>2</sup> ... 1.5 mm <sup>2</sup>
Conductor cross section, flexible	0.2 mm <sup>2</sup> ... 1.5 mm <sup>2</sup>
Conductor cross section AWG	24 ... 16

## Environmental and real-life conditions

### Ambient conditions

Ambient temperature (operation)	-35 °C ... 60 °C (Mounting position: any)
Degree of protection	IP20
Air pressure (operation)	70 kPa ... 108 kPa (up to 3000 m above sea level)
Air pressure (storage/transport)	66 kPa ... 108 kPa (up to 3500 m above sea level)
Ambient temperature (storage/transport)	-40 °C ... 85 °C
Permissible humidity (operation)	10 % ... 75 % (on average, 85% infrequently, non-condensing)
Permissible humidity (storage/transport)	10 % ... 75 % (non-condensing)

## Standards and regulations

Protection class	III (IEC 61140, EN 61140, VDE 0140-1)
------------------	---------------------------------------

## Mounting

Mounting type	DIN rail mounting
---------------	-------------------

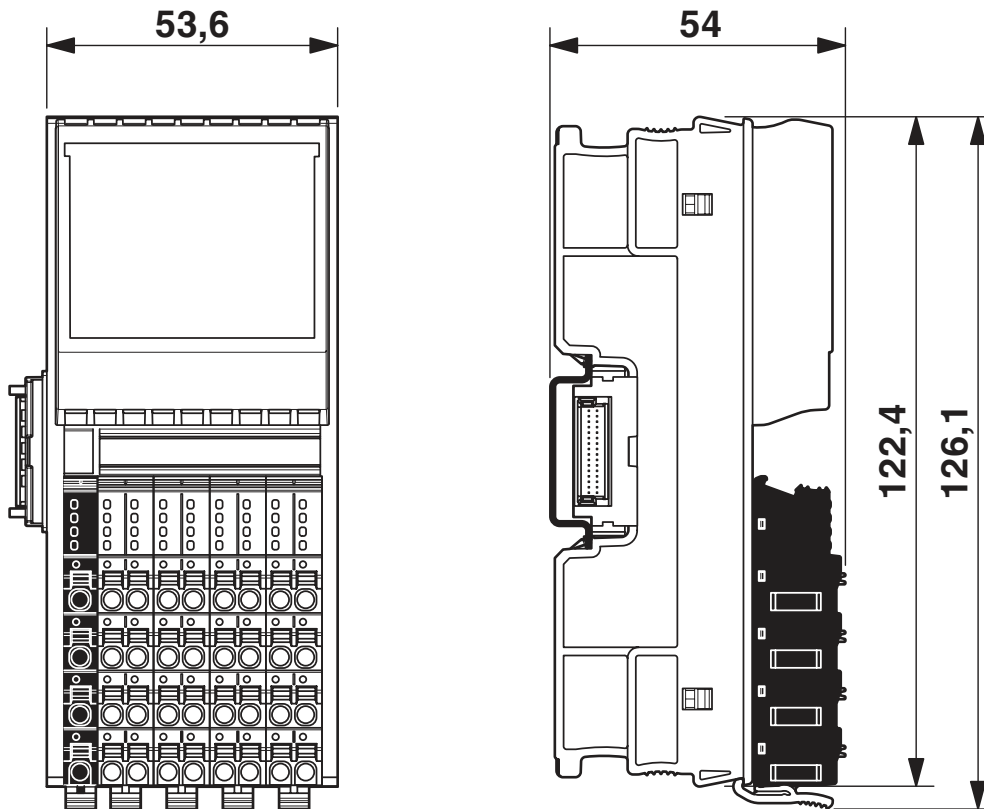
# AXL F PSDO8/3 1F - Safety module

2701560

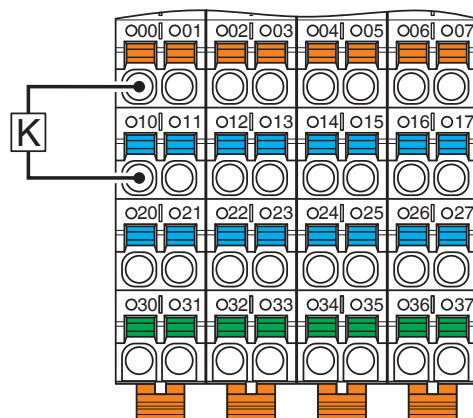
<https://www.phoenixcontact.com/us/products/2701560>

## Drawings

Dimensional drawing



Connection diagram



Example connection of a contactor

# AXL F PSDO8/3 1F - Safety module



2701560

<https://www.phoenixcontact.com/us/products/2701560>

## Approvals

To download certificates, visit the product detail page: <https://www.phoenixcontact.com/us/products/2701560>



**DNV GL**

Approval ID: TAA00000DF



**UL Listed**

Approval ID: FILE E 238705



**cUL Listed**

Approval ID: FILE E 238705

**BSH**

Approval ID: 840



**Functional Safety**

Approval ID: 968/EZ 650.04/20

**PROFIsafe**

Approval ID: Z20121



**Functional Safety**

Approval ID: 968/EZ 650.04/20

**UAE-RoHS**

Approval ID: 23-02-63243

**cULus Listed**

# AXL F PSDO8/3 1F - Safety module



2701560

<https://www.phoenixcontact.com/us/products/2701560>

## Classifications

### ECLASS

ECLASS-11.0	27242604
ECLASS-12.0	27242604
ECLASS-13.0	27242604

### ETIM

ETIM 8.0	EC001599
----------	----------

### UNSPSC

UNSPSC 21.0	32151600
-------------	----------

# AXL F PSDO8/3 1F - Safety module



2701560

<https://www.phoenixcontact.com/us/products/2701560>

## Environmental product compliance

REACH SVHC	Lead 7439-92-1
China RoHS	Environmentally Friendly Use Period = 50 years
	For information on hazardous substances, refer to the manufacturer's declaration available under "Downloads"



# AXL F PSDO8/3 1F - Safety module

2701560

<https://www.phoenixcontact.com/us/products/2701560>



## Accessories

### AXL F BS F - Bus connector

2688129

<https://www.phoenixcontact.com/us/products/2688129>



Axioline F bus base module for housing type F

---

### ZB 20,3 AXL UNPRINTED - Zack marker strip

0829579

<https://www.phoenixcontact.com/us/products/0829579>



Zack marker strip for Axioline F (device labeling), in 2 x 20.3 mm pitch, unprinted, 25-section, for individual labeling with B-STIFT 0.8, X-PEN, or CMS-P1-PLOTTER

# AXL F PSDO8/3 1F - Safety module

2701560

<https://www.phoenixcontact.com/us/products/2701560>



## ZBF 10/5,8 AXL UNPRINTED - Zack Marker strip, flat

0829580

<https://www.phoenixcontact.com/us/products/0829580>



Zack Marker strip, flat, Strip, white, unlabeled, can be labeled with: PLOTMARK, CMS-P1-PLOTTER, mounting type: snapped, for terminal block width: 10.15 mm, lettering field size: 4 x 10, 15 x 5 mm, 1 x 5.8 x 5 mm, Number of individual labels: 50

---

## EMT (35X46)R - Insert label

0801604

<https://www.phoenixcontact.com/us/products/0801604>



Insert label, for marking the Axioline F series from Phoenix Contact, Roll, white, unlabeled, can be labeled with: THERMOMARK E.300 (D)/600 (D), THERMOMARK ROLL 2.0, THERMOMARK ROLL, THERMOMARK ROLL X1, THERMOMARK ROLLMASTER 300/600, THERMOMARK X1.2, mounting type: insert, lettering field size: 35 x 46 mm, Number of individual labels: 500

# AXL F PSDO8/3 1F - Safety module

2701560

<https://www.phoenixcontact.com/us/products/2701560>



## EMT (35X46)R YE - Insert label

0801605

<https://www.phoenixcontact.com/us/products/0801605>



Insert label, for marking the Axioline F series from Phoenix Contact, Roll, yellow, unlabeled, can be labeled with: THERMOMARK E.300 (D)/600 (D), THERMOMARK ROLL 2.0, THERMOMARK ROLL, THERMOMARK ROLL X1, THERMOMARK ROLLMASTER 300/600, THERMOMARK X1.2, mounting type: insert, lettering field size: 35 x 46 mm, Number of individual labels: 500

---

## SZS 0,4X2,5 VDE - Screwdriver

1205037

<https://www.phoenixcontact.com/us/products/1205037>



Screwdriver, slot-headed, VDE insulated, size: 0.4 x 2.5 x 80 mm, 2-component grip, with non-slip grip

# AXL F PSDO8/3 1F - Safety module

2701560

<https://www.phoenixcontact.com/us/products/2701560>



## CRIMPFOX 6 - Crimping pliers

1212034

<https://www.phoenixcontact.com/us/products/1212034>



Crimping pliers, for ferrules without insulating collar according to DIN 46228 Part 1 and ferrules with insulating collar according to DIN 46228 Part 4, 0.25 mm<sup>2</sup> ... 6.0 mm<sup>2</sup>, lateral entry, trapezoidal crimp

---

## CRIMPFOX DUO 10 - Crimping pliers

1031721

<https://www.phoenixcontact.com/us/products/1031721>



Crimping pliers, contact connection type: Insulated and uninsulated ferrules, standards/specifications: DIN 46228-1, DIN 46228-4, UL 486F, form A, E, F, min. cross section: 0.14 mm<sup>2</sup>, max. cross section: 10 mm<sup>2</sup>, for TWIN ferrules up to 2 x 4 mm<sup>2</sup>, automatic cross section adjustment, rotating die, lateral and frontal insertion, compression: Trapezoidal crimp, black/green

# AXL F PSDO8/3 1F - Safety module

2701560

<https://www.phoenixcontact.com/us/products/2701560>



## CRIMPFOX 10T-F - Crimping pliers

1134913

<https://www.phoenixcontact.com/us/products/1134913>



Crimping pliers, contact connection type: Insulated and uninsulated ferrules, standards/specifications: DIN 46228-1, DIN 46228-4, min. cross section: 0.14 mm<sup>2</sup>, max. cross section: 10 mm<sup>2</sup>, For TWIN ferrules up to 2 x 4 mm<sup>2</sup>, automatic cross section adjustment, frontal insertion, compression: Trapezoidal crimp, black

---

## AXL SHIELD SET - Shield connection

2700518

<https://www.phoenixcontact.com/us/products/2700518>



Axioline shield connection set (contains 2 shield bus holders and 2 SK 5 shield connection clamps)

---

Phoenix Contact 2023 © - all rights reserved  
<https://www.phoenixcontact.com>

Phoenix Contact USA  
586 Fulling Mill Road  
Middletown, PA 17057, United States  
(+717) 944-1300  
[info@phoenixcon.com](mailto:info@phoenixcon.com)