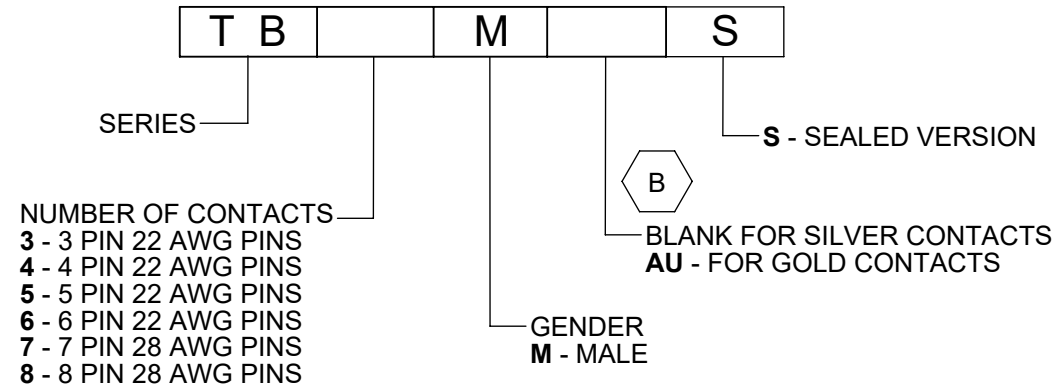
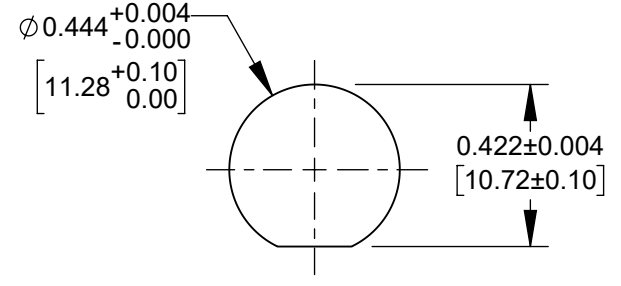


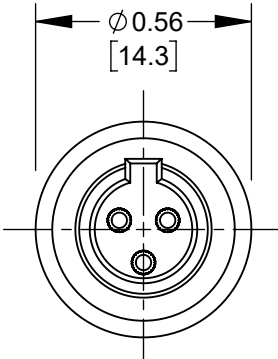
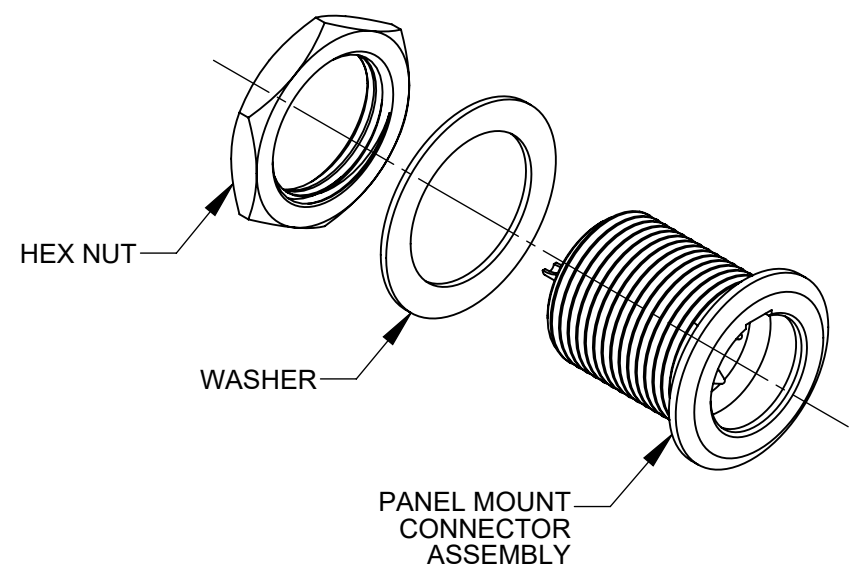
AS VIEWED FROM FRONT MATING SIDE



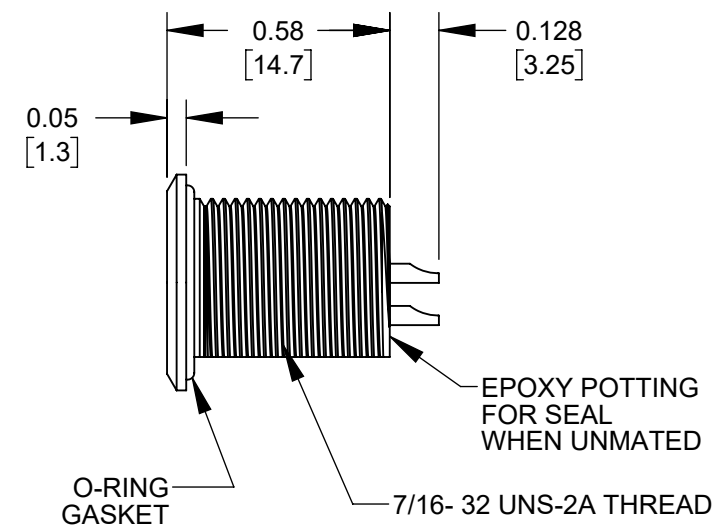
PART NUMBER ORDERING CODE



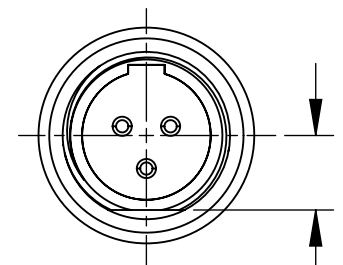
RECOMMENDED PANEL CUTOUT



FRONT VIEW



TB3MS SHOWN



REAR VIEW

CUSTOMER DRAWING

- NOTES:
- MATERIALS:  
 HOUSING - COPPER ALLOY, NICKEL PLATED  
 PIN CONTACTS - COPPER ALLOY, SILVER OR GOLD PLATED  
 PIN INSULATOR - THERMOPLASTIC RUBBER, BLACK  
 HEX NUT & WASHER - COPPER ALLOY, NICKEL PLATED  
 O-RING GASKET - THERMOPLASTIC RUBBER, BLACK
  - PRODUCT IS RATED IP-66 MATED AND IP-65 UNMATED.
  - THIS PRODUCT IS RoHS COMPLIANT.

REV	ECO NUMBER	DATE	BY	APVD
C	28414	07-16-21	PC	TJK
B	27989	1-12-18	PC	TJK
A	27552	8-14-15	TO	TJK

UNLESS OTHERWISE SPECIFIED

1. ALL DIMENSIONS IN INCHES [mm]  
 - TWO PLACE DECIMALS ±0.02 [0.5]  
 - THREE PLACE DECIMALS ±0.005 [0.13]

DO NOT SCALE DRAWING

THIS DRAWING DESCRIBES A DESIGN CONSIDERED PROPRIETARY IN NATURE, DEVELOPED AND MANUFACTURED BY SWITCHCRAFT INC. AND IS RELEASED ON A CONFIDENTIAL BASIS FOR IDENTIFICATION PURPOSES ONLY.										
SIZE	WIDTH	MULT	LBS/M	TEMPER						
FINISH					MATERIAL					
SPEC No.					SPEC No.					
FIRST USED ON				SCALE 2:1						
DATE DRAWN	BY	CHKD	APVD	Switchcraft®						
1/29/13	AB	AB	TJK	SHEET 1 OF 1						
				1/29/13				9-28-15		
NAME TINI Q-G MINI XLR CONNECTOR SEALED MALE PANEL MOUNT, RoHS								PART No. TB_MS SERIES		REV C