

MODULAR CONNECTORS

CL 222 TM

■ D-SUB MODULAR CONVERSION CONNECTOR

This is a conversion connector for use between an RS-232C interface (D-Sub 25 conductors) used for personal computer communications and modular connectors. The D-Sub and modular connectors used for the newly developed conversion connector have already been proven in many applications, winning confidence from our customers. The D-Sub mating parts feature a compact design with a screw lock system for use with computer related equipment.

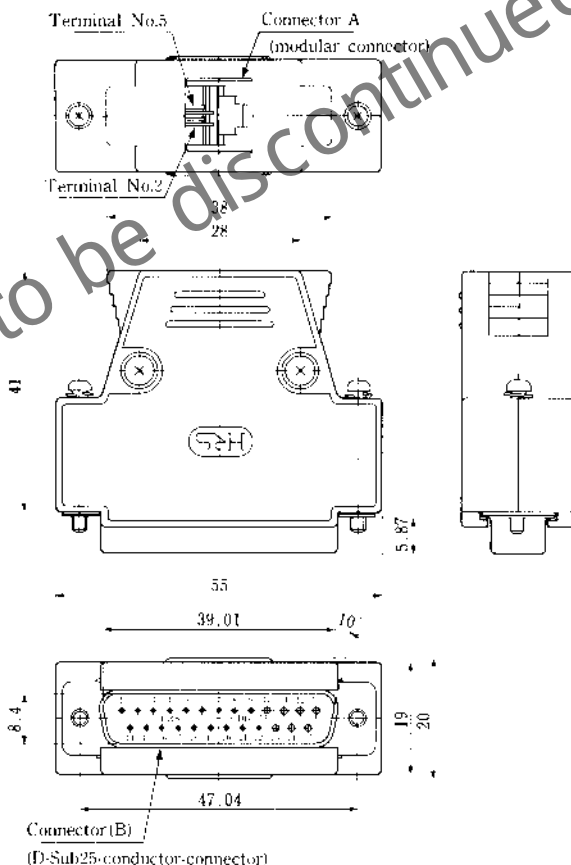
● Material/Finish

Item		Material	Finish
Modular Connector	Insulator	ABS	Grey
Connector	Terminal	Phosphor bronze	Gold-plated
D-Sub Connector	Shell	Mild steel	Zinc-plated and treated with dichromate
Connector	Terminal	Phosphor bronze	Gold-plated

● Electrical specifications

Item	Condition	Standard
Current rating	Per pin	500mA
Voltage rating	Per pin	125V AC
Insulation Resistance	100V DC	100 M Ω Min.
Withstanding Voltage	standard voltage for 1 minute	500V r.m.s AC

● TM12RV-6※ - ※



CL No.	Part No.	RoHS
222-3032-7-50	TM12RV-64-A(50)	YES
222-3347-8-50	TM12RV-64-C(50)	
222-3396-3-50	TM12RV-64-D(50)	
222-3283-7-50	TM12RV-66-D(50)	

