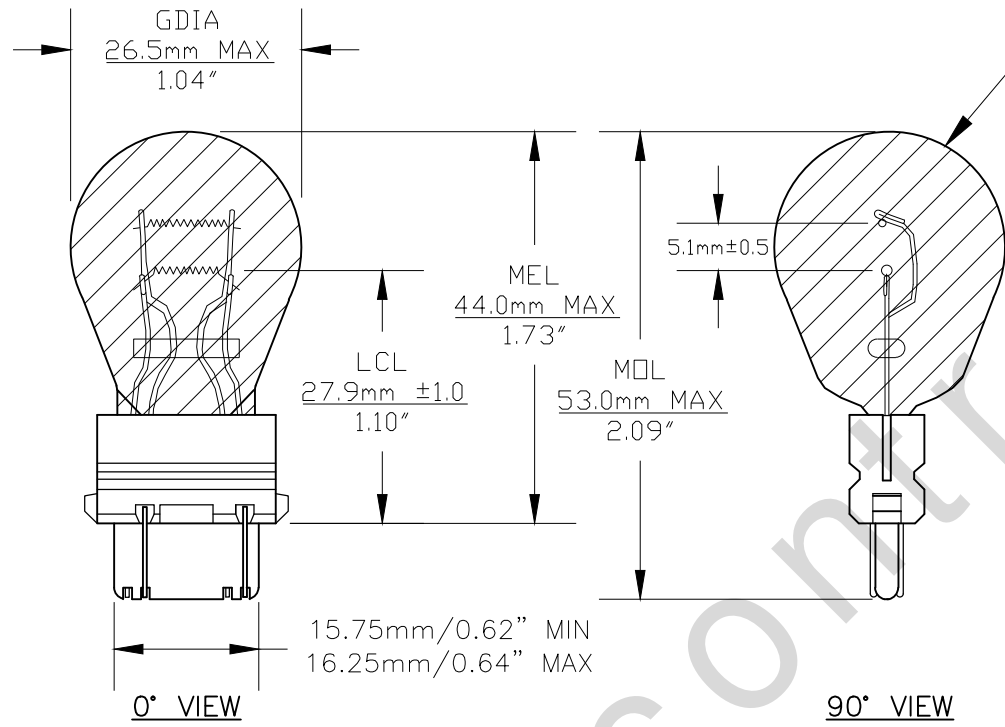


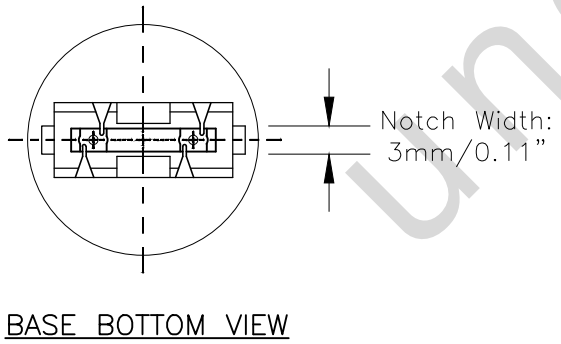
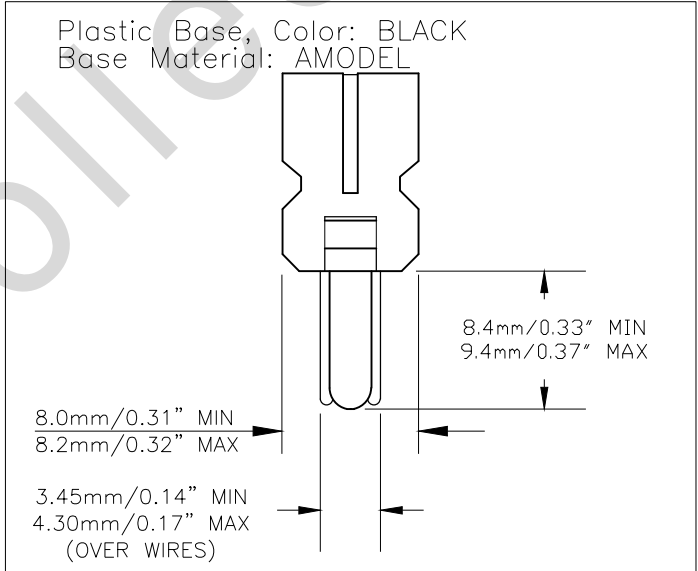


PART NO.	BASE TYPE	DESIGN VOLTS	DESIGN AMPS	MSCD	FILAMENT TYPE	AVERAGE LIFE HOURS	REVISIONS			
							REV #	DESCRIPTION	DATE	APPROVED
3457NA	D.F. Plastic Wedge W2.5X16q	12.8V 14.0V	2.23±5% 0.59±8%	30±30% 2.2±30%	C-6 C-6	400 5000	1	ADDED FILAMENT DISTANCE DIMENSIONS	10/04/2018	R.M.
							2	ADDED BASE MATERIAL	03/05/2020	R.M.



S-8 BULB SHAPE
Natural Amber Glass

Plastic Base, Color: BLACK
Base Material: AMODEL



Note: Made according to SAE specifications



UNLESS OTHERWISE SPECIFIED: DIMENSIONS ARE IN INCHES TOLERANCES		CEC INDUSTRIES LTD			
		599 BOND STREET		LINCOLNSHIRE, IL 60069	
DRAWN D. C.	DATE 08/09/2006	TITLE LIGHT BULB NO. 3457NA			
CHECKED		SIZE A	FSCM NO.	DWG NO. 3457NA	REV 2
DESIGN		SCALE	PLOT SCALE	SHEET 1 OF 1	
MATERIAL		FILE 3457NA.pdf	DRAWING NOT TO SCALE		