

ESD SENSITIVE

DO NOT SCALE FROM THIS PRINT

ASSEMBLY LENGTH LIMITS [cm]													
FIBER TYPE	MIN					MAX							
	END OPTION					HEAT SINK							
	-01	-02	-07	-0E	BLANK	-1	-2	-3	-4	-5	-6	-7	-8
-4	15	15	13	11	15	999	999	999	999	999	999	999	999
-5	11	11	10	8	10	100	100	50	100	100			
-6	11	11	10	8	8	100	100	50	100	100			
-7	14	14	12	10	10	300	300	300	300	300			
-8	12	12	10	8	8	300	300	300	300	300			

TABLE 2: LENGTH TOLERANCE	
ASSEMBLY LENGTH [cm]	TOLERANCE [cm]*
009-016	±0.16
017-999	±1%

* ROUNDED UP TO 2 DECIMAL PLACES

ECUO-B04-XX-XXX-0-X-1-X-XX

DATA RATE

- 14: 14 Gbps
- 25: 25.7 Gbps
- 28: 28.1 Gbps

END OPTION (LEAVE BLANK FOR AOC)

- 01: MTP@ MALE
- 02: MTP@ FEMALE
- 07: MXC@ INTERNAL PLUG
- 0E: MPO PLUS@ BAYONET MALE

ASSEMBLY LENGTH

-XXX: LENGTH (cm) SEE TABLES 1, 2

HEAT SINK

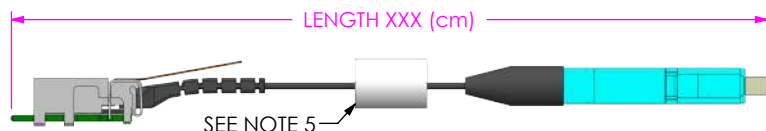
- 1: FLAT
- 2: PIN FIN
- 3: FLAT WITH GROOVE (SEE NOTE 2)
- 4: PCIe@ PIN FIN (-14 DATA RATE ONLY)
- 5: 1.75 cm TALL PIN FIN

FIBER TYPE

- 4: AQUA LOOSE TUBE WITH BOOT
- 5: BLACK JACKETED RIBBON WITH BOOT
- 6: BLACK JACKETED RIBBON
- 7: BLACK LOOSE TUBE WITH BOOT
- 8: BLACK LOOSE TUBE



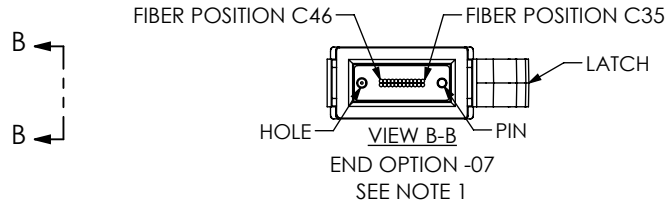
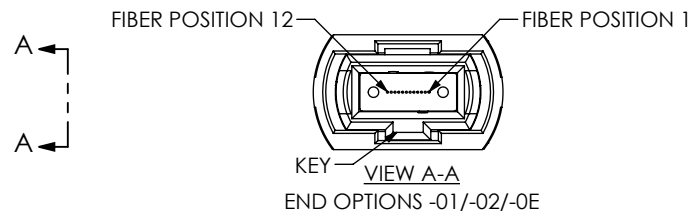
PART NUMBER ECUO-B04-XX-XXX-0-1-1-5-01 SHOWN



PART NUMBER ECUO-B04-XX-XXX-0-1-1-5-07 SHOWN



PART NUMBER ECUO-B04-XX-XXX-0-1-1-5 SHOWN



NOTES:

1. QUANTITY OF LENSES PRESENT MAY VARY. FIBER POSITION DOES NOT CHANGE REGARDLESS OF THE NUMBER OF LENSES PRESENT
2. GROOVE ALLOWS ONE JACKETED RIBBON (FIBER TYPE -5/-6) OF CABLE LENGTH MAX 50 CM OR TWO CABLES OF JACKETED LOOSE TUBE (FIBER TYPE -7/-8) TO PASS ABOVE HEAT SINK AND UNDER COLD PLATE
3. FIREFLY MUST BE INSTALLED IN A NO-TENSION STATE FREE FROM DYNAMIC FLEXING
4. ALL MTP@/MPO ARE INTERMATABLE WITH CONNECTOR ADHERING TO TIA-604-5
5. ALL CABLES WITH A LENGTH GREATER THAN 50 cm ARE LABELED. LABEL TO CONTAIN PART NUMBER AND SERIAL NUMBER INFORMATION
6. DUST CAPS REMOVED FROM ALL VIEWS FOR CLARITY
7. YELLOW LATCH PINS NOT SHOWN FOR CLARITY. SEE FIREFLY INSTALLATION INSTRUCTIONS FOR MORE DETAILS.

UNLESS OTHERWISE SPECIFIED, DIMENSIONS ARE IN MILLIMETERS. ALL DIMENSIONS ARE FOR REFERENCE ONLY

PROPRIETARY NOTE
 THIS DOCUMENT CONTAINS CONFIDENTIAL AND PROPRIETARY INFORMATION AND ALL DESIGN, MANUFACTURING, REPRODUCTION, USE, PATENT RIGHTS AND SALES RIGHTS ARE EXPRESSLY RESERVED BY SAMTEC, INC. THIS DOCUMENT SHALL NOT BE DISCLOSED, IN WHOLE OR PART, TO ANY UNAUTHORIZED PERSON OR ENTITY NOR REPRODUCED, TRANSFERRED OR INCORPORATED IN ANY OTHER PROJECT IN ANY MANNER WITHOUT THE EXPRESS WRITTEN CONSENT OF SAMTEC, INC.



520 PARK EAST BLVD, NEW ALBANY, IN 47150
 PHONE: 812-944-6733 FAX: 812-948-5047
 e-Mail: info@SAMTEC.com code 55322

MATERIAL: DO NOT SCALE DRAWING SHEET SCALE: 1:1

DESCRIPTION:	OPTICAL FIREFLY ASSEMBLY
DWG. NO.	ECUO-B04-XX-XXX-0-X-1-X-XX
BY: JEAN W.	01/06/2016 SHEET 1 OF 8



PART NUMBER ECUO-B04-XX-XXX-0-1-1-7-01 SHOWN



PART NUMBER ECUO-B04-XX-XXX-0-1-1-8-01 SHOWN



PART NUMBER ECUO-B04-XX-XXX-0-1-1-7-02 SHOWN



PART NUMBER ECUO-B04-XX-XXX-0-1-1-8-02 SHOWN



PART NUMBER ECUO-B04-XX-XXX-0-1-1-7-07 SHOWN



PART NUMBER ECUO-B04-XX-XXX-0-1-1-8-07 SHOWN



PART NUMBER ECUO-B04-XX-XXX-0-1-1-7-0E SHOWN



PART NUMBER ECUO-B04-XX-XXX-0-1-1-8-0E SHOWN

PROPRIETARY NOTE
 * THIS DOCUMENT CONTAINS CONFIDENTIAL AND PROPRIETARY INFORMATION AND ALL DESIGN, MANUFACTURING, REPRODUCTION, USE, PATENT RIGHTS AND SALES RIGHTS ARE EXPRESSLY RESERVED BY SAMTEC, INC. THIS DOCUMENT SHALL NOT BE DISCLOSED, IN WHOLE OR PART, TO ANY UNAUTHORIZED PERSON OR ENTITY NOR REPRODUCED, TRANSFERRED OR INCORPORATED IN ANY OTHER PROJECT IN ANY MANNER WITHOUT THE EXPRESS WRITTEN CONSENT OF SAMTEC, INC. *



520 PARK EAST BLVD., NEW ALBANY, IN 47150
 PHONE: 812-944-6733 FAX: 812-948-5047
 e-Mail info@SAMTEC.com code 55322

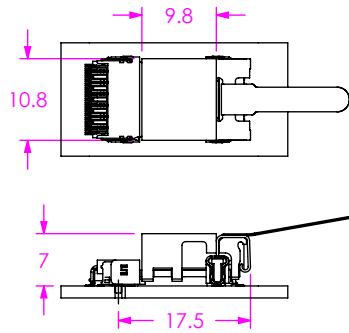
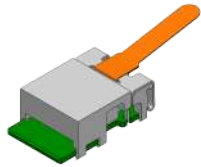
DO NOT SCALE DRAWING

DESCRIPTION:
 OPTICAL FIREFLY ASSEMBLY

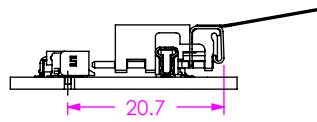
SHEET SCALE: 1:1

DWG. NO.
 ECUO-B04-XX-XXX-0-X-1-X-XX

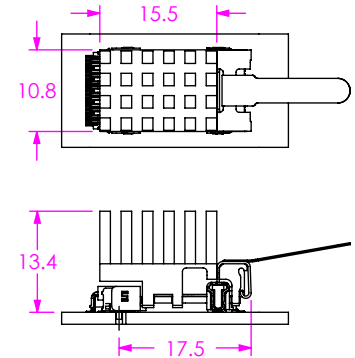
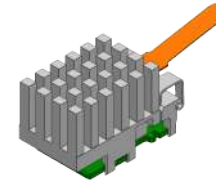
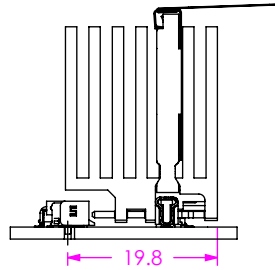
BY: JEAN W. 01/06/2016 SHEET 2 OF 8



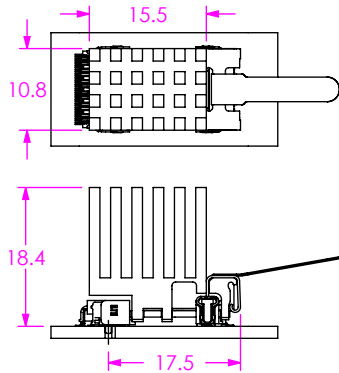
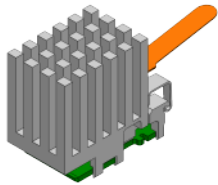
-1 FLAT HEAT SINK



KEEP OUT AREA FOR DE-MATING
TYPICAL FOR HEAT SINKS -1/-2/-3/-4
REFER TO UEC5 FOOTPRINT DRAWING
FOR DETAILED KEEPOUT AREAS

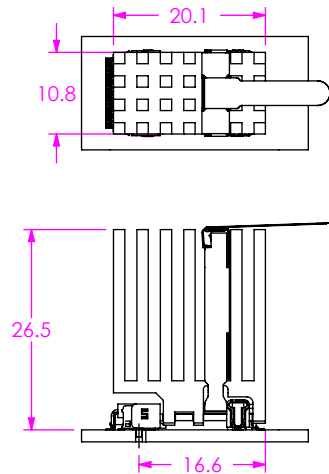
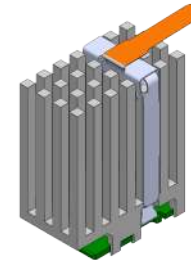


-4 LOW-PROFILE PIN-FIN HEAT SINK

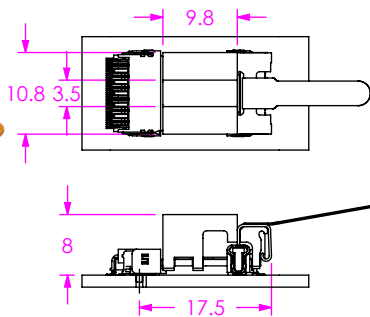
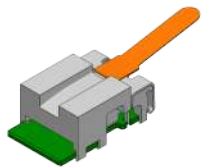


-2 PIN-FIN HEAT SINK

KEEP OUT AREA FOR DE-MATING
TYPICAL FOR HEAT SINK -5
REFER TO UEC5 FOOTPRINT DRAWING
FOR DETAILED KEEPOUT AREAS



-5 HIGH PERFORMANCE PIN-FIN



-3 FLAT HEAT SINK WITH PASS THROUGH

PROPRIETARY NOTE
THIS DOCUMENT CONTAINS CONFIDENTIAL AND PROPRIETARY INFORMATION AND ALL DESIGN, MANUFACTURING, REPRODUCTION, USE, PATENT RIGHTS AND SALES RIGHTS ARE EXPRESSLY RESERVED BY SAMTEC, INC. THIS DOCUMENT SHALL NOT BE DISCLOSED, IN WHOLE OR PART, TO ANY UNAUTHORIZED PERSON OR ENTITY NOR REPRODUCED, TRANSFERRED OR INCORPORATED IN ANY OTHER PROJECT IN ANY MANNER WITHOUT THE EXPRESS WRITTEN CONSENT OF SAMTEC, INC.

SHEET SCALE: 1:1

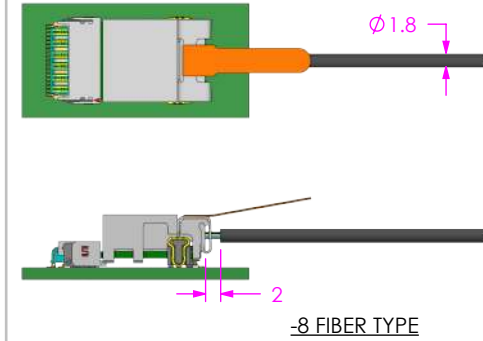
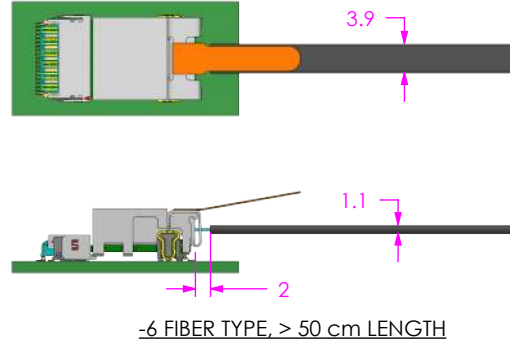
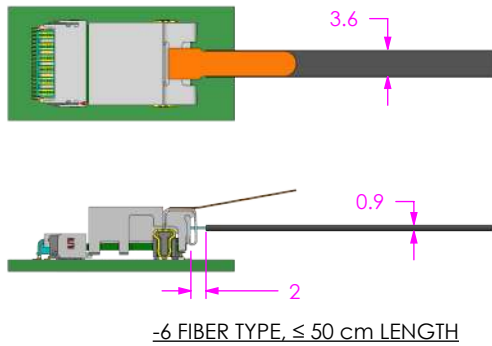
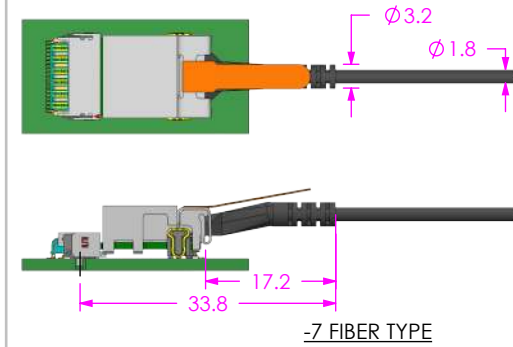
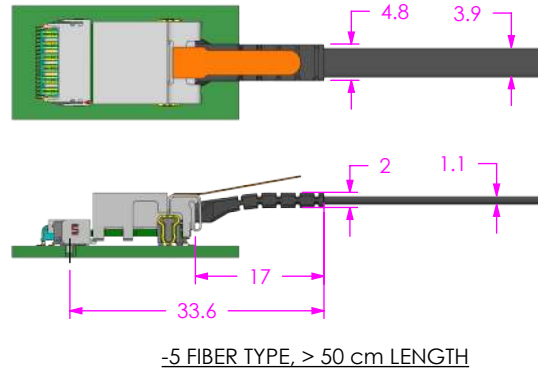
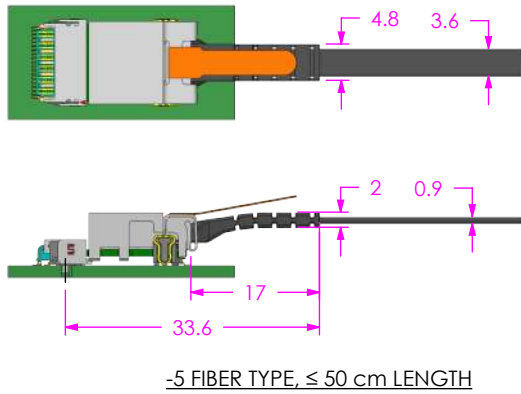
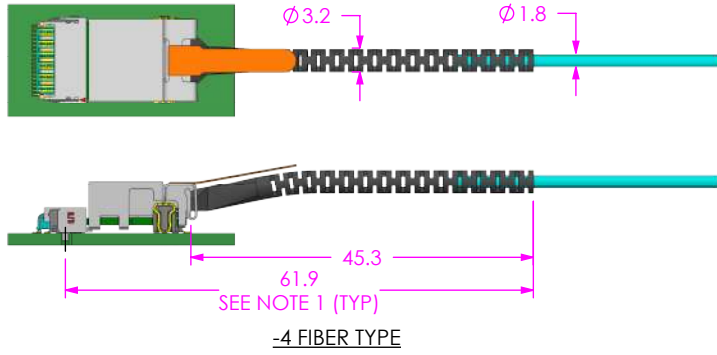


520 PARK EAST BLVD., NEW ALBANY, IN 47150
PHONE: 812-944-6733 FAX: 812-948-5047
e-Mail: info@SAMTEC.com code 55322

DESCRIPTION:
OPTICAL FIREFLY ASSEMBLY

DWG. NO.
ECUO-B04-XX-XXX-0-X-1-X-XX

BY: JEAN W. 01/06/2016 SHEET 3 OF 8



NOTES:
 1. DIMENSIONED FROM THE CENTER OF THE ALIGNMENT PIN HOLE AS SHOWN ON THE UEC5/UCC8 CONNECTOR FOOTPRINT

PROPRIETARY NOTE
 THIS DOCUMENT CONTAINS CONFIDENTIAL AND PROPRIETARY INFORMATION AND ALL DESIGN, MANUFACTURING, REPRODUCTION, USE, PATENT RIGHTS AND SALES RIGHTS ARE EXPRESSLY RESERVED BY SAMTEC, INC. THIS DOCUMENT SHALL NOT BE DISCLOSED, IN WHOLE OR PART, TO ANY UNAUTHORIZED PERSON OR ENTITY NOR REPRODUCED, TRANSFERRED OR INCORPORATED IN ANY OTHER PROJECT IN ANY MANNER WITHOUT THE EXPRESS WRITTEN CONSENT OF SAMTEC, INC.



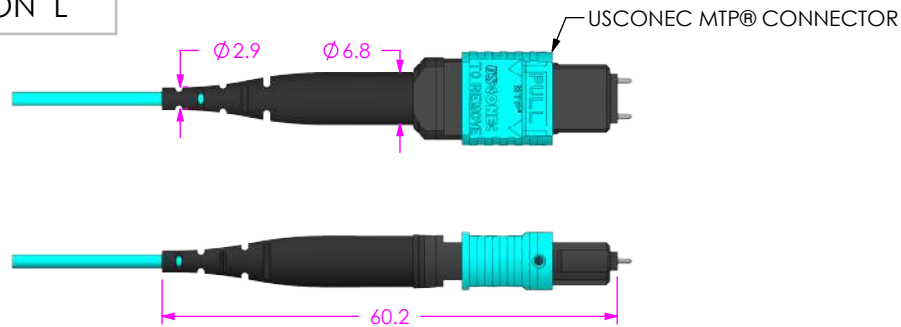
520 PARK EAST BLVD, NEW ALBANY, IN 47150
 PHONE: 812-944-6733 FAX: 812-948-5047
 e-Mail: info@SAMTEC.com code 55322

SHEET SCALE: 1:1

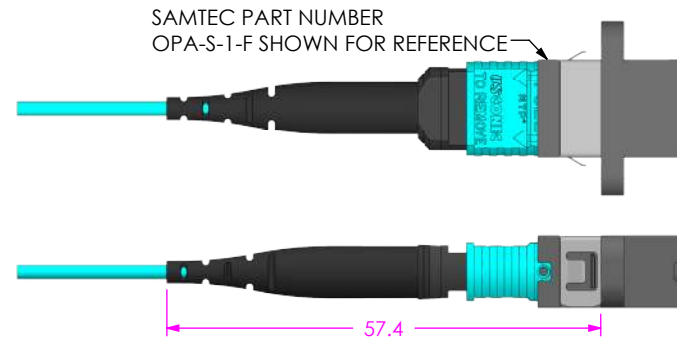
DESCRIPTION:
 OPTICAL FIREFLY ASSEMBLY

DWG. NO.
 ECUO-B04-XX-XXX-0-X-1-X-XX

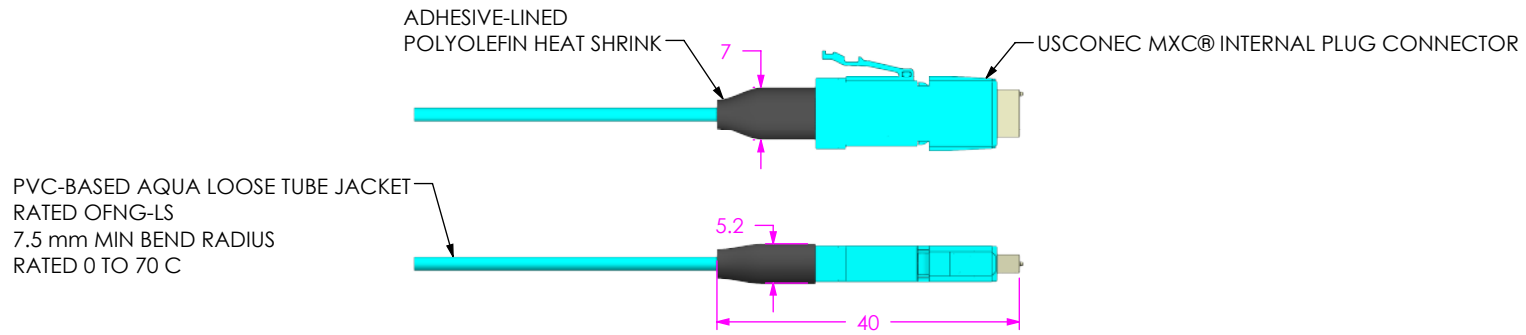
BY: JEAN W. 01/06/2016 SHEET 4 OF 8



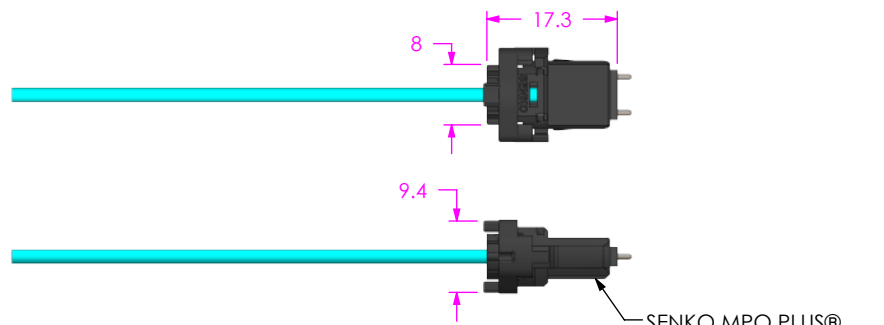
-4 FIBER TYPE, -01/-02 END OPTION



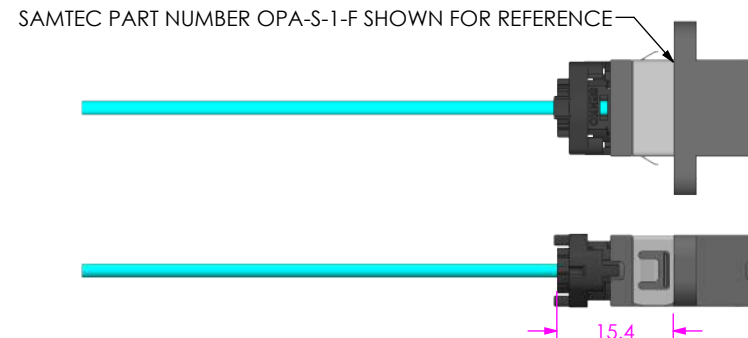
-4 FIBER TYPE, -01/-02 END OPTION MATED WITH BULKHEAD



-4 FIBER TYPE, -07 END OPTION



-4 FIBER TYPE, -0E END OPTION



-4 FIBER TYPE, -0E END OPTION MATED WITH BULKHEAD

NOTES:
1. DUST CAPS/PLUGS NOT SHOWN FOR CLARITY

PROPRIETARY NOTE
THIS DOCUMENT CONTAINS CONFIDENTIAL AND PROPRIETARY INFORMATION AND ALL DESIGN, MANUFACTURING, REPRODUCTION, USE, PATENT RIGHTS AND SALES RIGHTS ARE EXPRESSLY RESERVED BY SAMTEC, INC. THIS DOCUMENT SHALL NOT BE DISCLOSED, IN WHOLE OR PART, TO ANY UNAUTHORIZED PERSON OR ENTITY NOR REPRODUCED, TRANSFERRED OR INCORPORATED IN ANY OTHER PROJECT IN ANY MANNER WITHOUT THE EXPRESS WRITTEN CONSENT OF SAMTEC, INC.

SHEET SCALE: 1:1

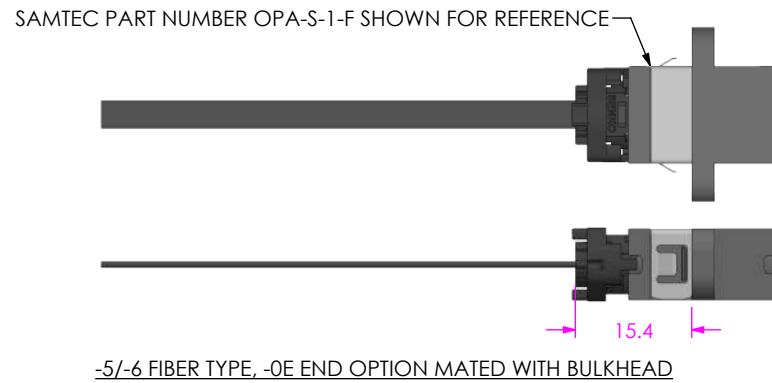
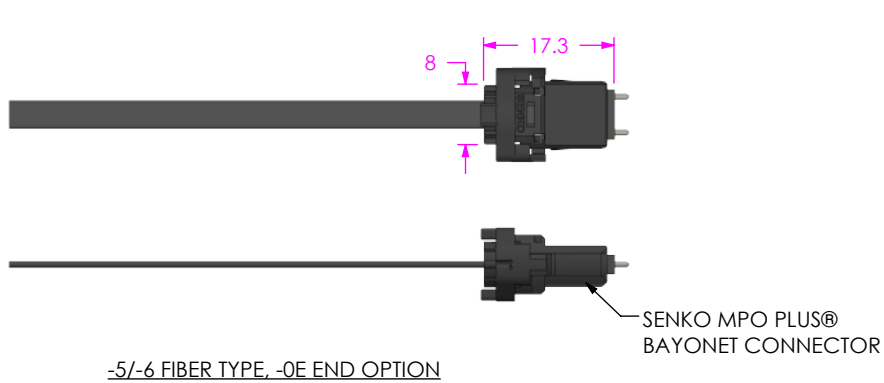
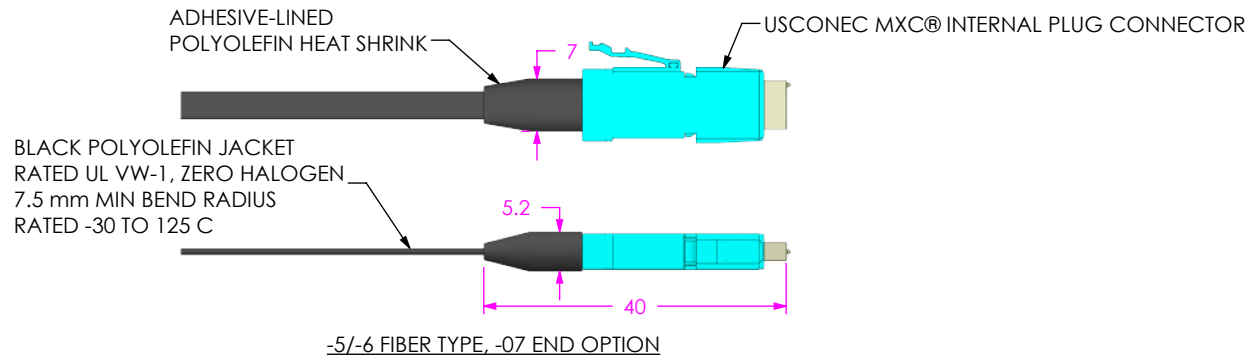
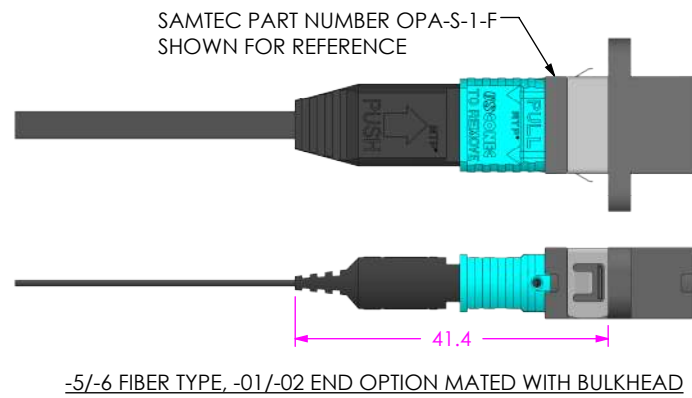
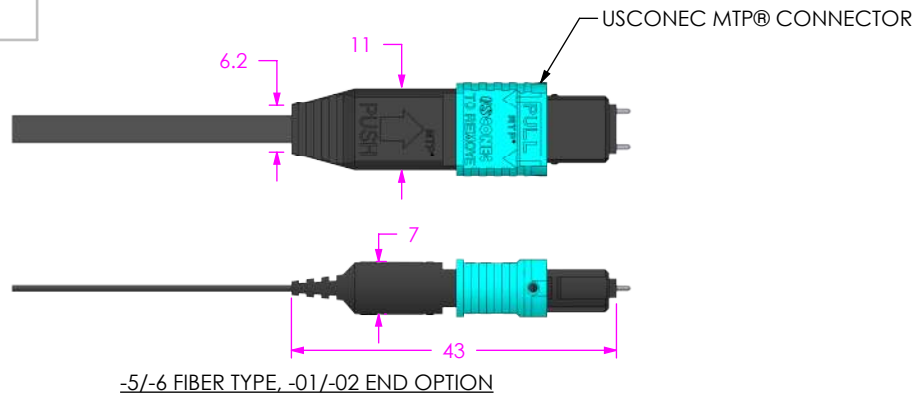


520 PARK EAST BLVD, NEW ALBANY, IN 47150
PHONE: 812-944-6733 FAX: 812-948-5047
e-Mail info@SAMTEC.com code 55322

DESCRIPTION:
OPTICAL FIREFLY ASSEMBLY

DWG. NO.
ECUO-B04-XX-XXX-0-X-1-X-XX

BY: JEAN W. 01/06/2016 SHEET 5 OF 8



NOTES:
1. DUST CAPS/PLUGS NOT SHOWN FOR CLARITY

PROPRIETARY NOTE
THIS DOCUMENT CONTAINS CONFIDENTIAL AND PROPRIETARY INFORMATION AND ALL DESIGN, MANUFACTURING, REPRODUCTION, USE, PATENT RIGHTS AND SALES RIGHTS ARE EXPRESSLY RESERVED BY SAMTEC, INC. THIS DOCUMENT SHALL NOT BE DISCLOSED, IN WHOLE OR PART, TO ANY UNAUTHORIZED PERSON OR ENTITY NOR REPRODUCED, TRANSFERRED OR INCORPORATED IN ANY OTHER PROJECT IN ANY MANNER WITHOUT THE EXPRESS WRITTEN CONSENT OF SAMTEC, INC.

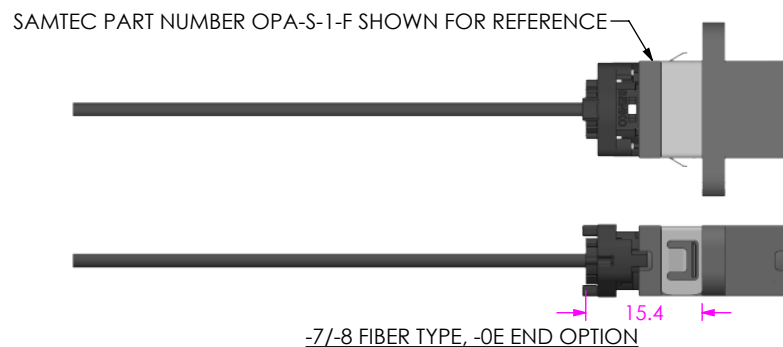
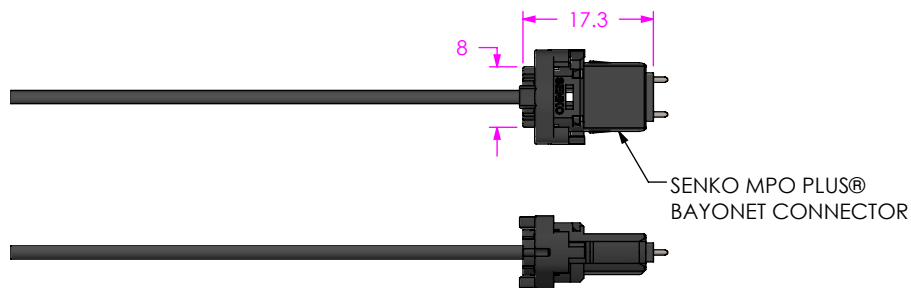
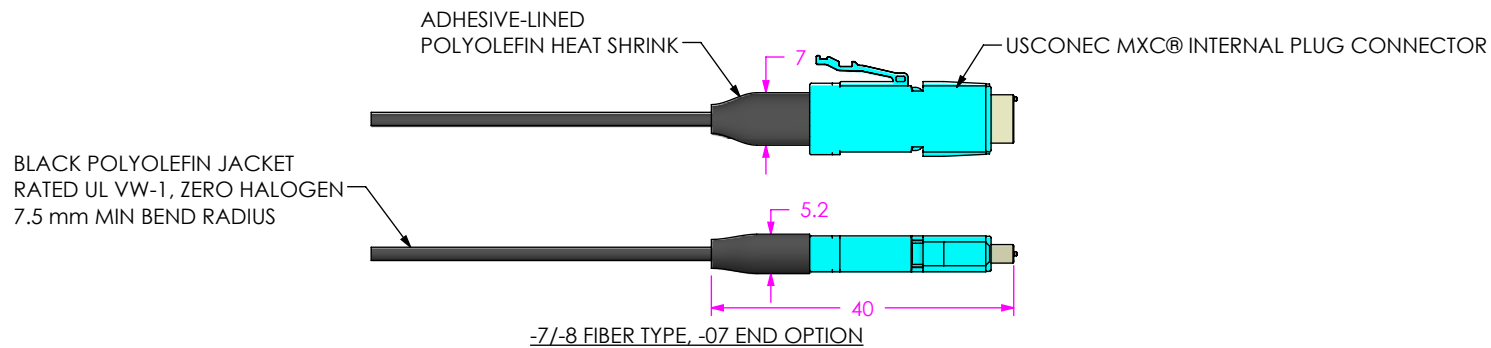
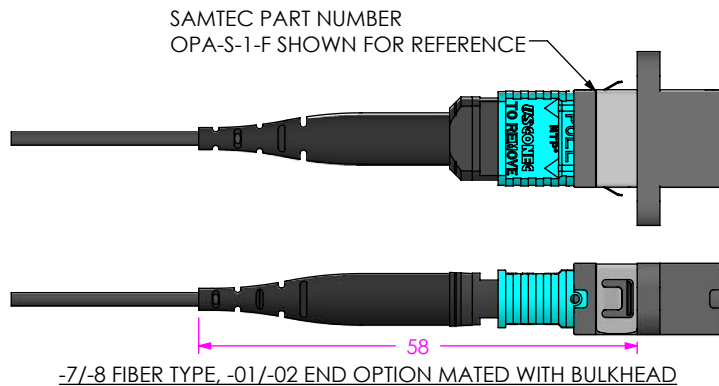
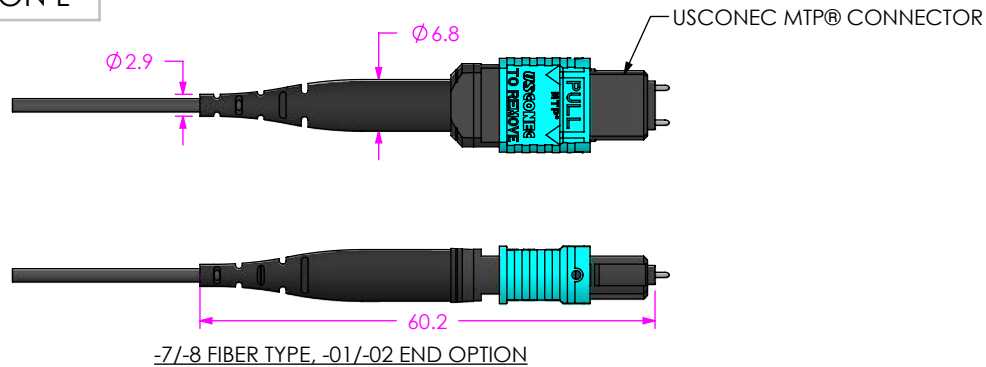
samtec
520 PARK EAST BLVD, NEW ALBANY, IN 47150
PHONE: 812-944-6733 FAX: 812-948-5047
e-Mail info@SAMTEC.com code 55322

SHEET SCALE: 1:1

DESCRIPTION: OPTICAL FIREFLY ASSEMBLY

DWG. NO. ECUO-B04-XX-XXX-0-X-1-X-XX

BY: JEAN W. 01/06/2016 SHEET 6 OF 8



NOTES:
1. DUST CAPS/PLUGS NOT SHOWN FOR CLARITY

PROPRIETARY NOTE
THIS DOCUMENT CONTAINS CONFIDENTIAL AND PROPRIETARY INFORMATION AND ALL DESIGN, MANUFACTURING, REPRODUCTION, USE, PATENT RIGHTS AND SALES RIGHTS ARE EXPRESSLY RESERVED BY SAMTEC, INC. THIS DOCUMENT SHALL NOT BE DISCLOSED, IN WHOLE OR PART, TO ANY UNAUTHORIZED PERSON OR ENTITY NOR REPRODUCED, TRANSFERRED OR INCORPORATED IN ANY OTHER PROJECT IN ANY MANNER WITHOUT THE EXPRESS WRITTEN CONSENT OF SAMTEC, INC.



520 PARK EAST BLVD., NEW ALBANY, IN 47150
PHONE: 812-944-6733 FAX: 812-948-5047
e-Mail info@SAMTEC.com code 55322

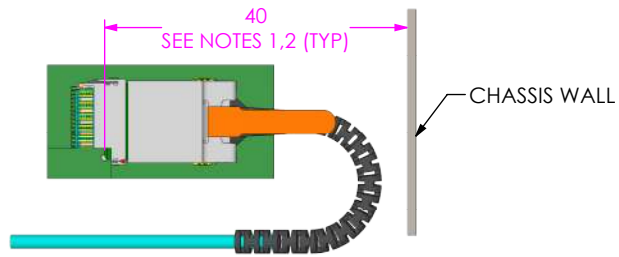
DO NOT SCALE DRAWING

DESCRIPTION:
OPTICAL FIREFLY ASSEMBLY

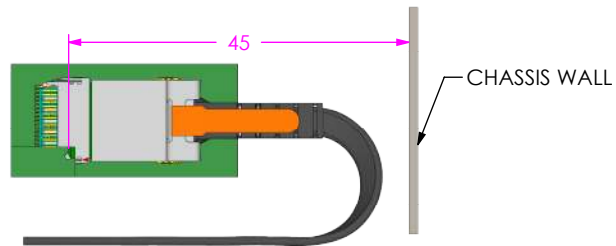
SHEET SCALE: 1:1

DWG. NO.
ECUO-B04-XX-XXX-0-X-1-X-XX

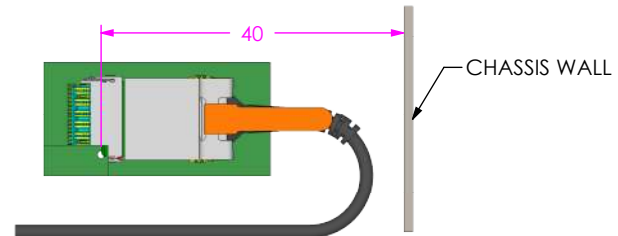
BY: JEAN W. 01/06/2016 SHEET 7 OF 8



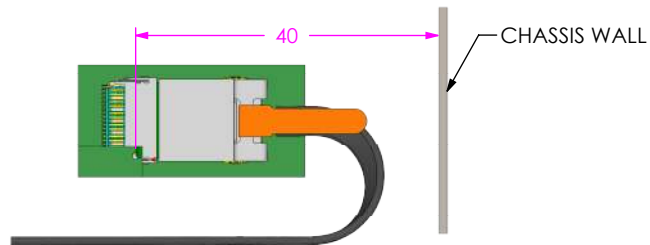
-4 FIBER TYPE RECOMMENDED CABLE ESCAPE CLEARANCE



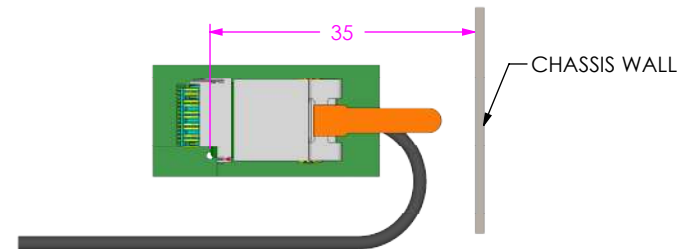
-5 FIBER TYPE RECOMMENDED CABLE ESCAPE CLEARANCE



-7 FIBER TYPE RECOMMENDED CABLE ESCAPE CLEARANCE




-6 FIBER TYPE RECOMMENDED CABLE ESCAPE CLEARANCE



-8 FIBER TYPE RECOMMENDED CABLE ESCAPE CLEARANCE

NOTES:

1. DIMENSIONED FROM THE CENTER OF THE ALIGNMENT PIN HOLE AS SHOWN ON THE UEC5/UCC8 CONNECTOR FOOTPRINT
2. DUE TO THE COMPLIANT NATURE OF FIBER CABLE AND THE MOLDED FIBER BOOT COMPONENTS, THE DIMENSIONS SHOWN ON THIS SHEET ARE FOR GUIDANCE ONLY. EACH APPLICATION IS UNIQUE AND MAY RESULT IN UNIQUE CLEARANCE DIMENSIONS FOR THE CABLE ESCAPE.

<p>PROPRIETARY NOTE</p> <p>THIS DOCUMENT CONTAINS CONFIDENTIAL AND PROPRIETARY INFORMATION AND ALL DESIGN, MANUFACTURING, REPRODUCTION, USE, PATENT RIGHTS AND SALES RIGHTS ARE EXPRESSLY RESERVED BY SAMTEC, INC. THIS DOCUMENT SHALL NOT BE DISCLOSED, IN WHOLE OR PART, TO ANY UNAUTHORIZED PERSON OR ENTITY NOR REPRODUCED, TRANSFERRED OR INCORPORATED IN ANY OTHER PROJECT IN ANY MANNER WITHOUT THE EXPRESS WRITTEN CONSENT OF SAMTEC, INC.</p>	 <p>520 PARK EAST BLVD, NEW ALBANY, IN 47150 PHONE: 812-944-6733 FAX: 812-948-5047 e-Mail info@SAMTEC.com code 55322</p>
<p>DO NOT SCALE DRAWING SHEET SCALE: 1:1 INSULATOR: CONTACT OR TERMINAL: SHIELD: PHOS BRONZE PLATING: CONTACT AREA: .00010 REF GOLD REMAINDER: .000200 REF TIN</p>	<p>DESCRIPTION: OPTICAL FIREFLY ASSEMBLY</p> <p>DWG. NO. ECUO-B04-XX-XXX-0-X-1-X-XX</p> <p>BY: JEAN W. 01/06/2016 SHEET 8 OF 8</p>