

MAX21003

Ultra-Accurate, Low Power, Dual-Axis Digital Output Gyroscope

General Description

The MAX21003 is a low power, low noise, dual-axis angular rate sensor that delivers unprecedented accuracy and sensitivity over temperature and time. It operates with a supply voltage as low as 1.71V for minimum power consumption. It includes a sensing element and an IC interface that provides the measured angular rate to the external world through a digital interface (I²C/SPI).

The IC has a full scale of $\pm 31.25/\pm 62.50/\pm 125/\pm 250/\pm 500/\pm 1000$ degrees per second (dps) and measures rates with a finely tunable user-selectable bandwidth. The high ODR and the large BW, the low noise at highest FS, together with the low phase delay, make the IC suitable for optical image stabilization (OIS) applications.

The IC is a highly integrated solution available in a compact 3mm x 3mm x 0.9mm plastic land grid array (LGA) package and does not require any external components other than supply bypass capacitors. It can operate over the -40°C to +85°C temperature range.

Applications

- Optical Image Stabilization
- GPS Navigation Systems
- Appliances and Robotics

Features and Benefits

- Minimum Overall Footprint
 - Industry's Smallest and Thinnest Package for Portable Devices (3mm x 3mm x 0.9mm LGA)
 - No External Components
- Unique Low-Power Capabilities
 - Low Operating Current Consumption (5.1mA typ)
 - Eco Mode Available at 100Hz with 3.0mA (typ)
 - 1.71V (min) Supply Voltage
 - Standby Mode Current 2.7mA (typ)
 - 8.5 μ A (typ) Power-Down Mode Current
 - High PSRR and DC-DC Converter Operation
 - 45ms Turn-On Time from Power-Down Mode
 - 5ms Turn-On Time from Standby Mode
- OIS Suitability
 - Minimum Phase Delay ($\sim 3^\circ$ at 10Hz)
 - High Bandwidth (400Hz)
 - High ODR (10kHz)
 - Low Noise (7mdps/ $\sqrt{\text{Hz}}$ typ)

- Unprecedented Accuracy
 - Embedded Digital-Output Temperature Sensor
 - Automatic Temperature Compensation
 - Ultra-Stable Over Temperature and Time
 - Factory Calibrated
- High-Speed Interface
 - I²C Standard (100kHz), Fast (400kHz), and High-Speed (3.4MHz) Serial Interface
 - 10MHz SPI Interface
 - Reduces AP Load
 - Enables UI/OIS Serial Interface Multiplexing
- Flexible Embedded FIFO
 - Size: 512 Bytes (256 x 16 bits)
 - Single-Byte Reading Available
 - Four Different FIFO Modes Available
 - Reduces AP Load
- High Configurability
 - Integrated Digitally Programmable Low- and Highpass Filters
 - Independently Selectable Data ODR and Interrupt ODR
 - 6 Selectable Full Scales (31.25/62.5/125/250/500/1000 dps)
 - 256-Selectable ODR
- Flexible Interrupt Generator
 - Two Digital Output Lines
 - 2 Independent Interrupt Generators
 - 8 Maskable Interrupt Sources Each
 - Configurable as Latched/Unlatched/Timed
 - Embedded Independent Angular Rate Comparators
 - Independent Threshold and Duration
 - Level/Pulse and OD/PP Options Available
- Flexible Data Synchronization Pin
 - External Wakeup
 - Interrupt Generation
 - Single Data Capture Trigger
 - Multiple Data Capture Trigger
 - LSB Data Mapping
- Unique 48-Bit Serial Number as Die ID
- High-Shock Survivability (10,000 G-Shock)

Ordering Information appears at end of data sheet.

For related parts and recommended products to use with this part, refer to www.maximintegrated.com/MAX21003.related.

Absolute Maximum Ratings

| | | | |
|--|---------------------------------------|--|-----------------|
| V _{DD} | -0.3V to +6.0V | I _{VDDIO} Continuous Current..... | 100mA |
| V _{DDIO} | -0.3V to Min (V _{DD} + 0.3V) | Junction Temperature..... | +150°C |
| INT1, INT2, SDA_SDI_O, SA0_SDO, SCL_CLK, CS, DSYNC..... | -0.3V to (V _{DDIO} + 0.3V) | Operating Temperature Range..... | -40°C to +85°C |
| I _{VDD} Continuous Current..... | 100mA | Storage Temperature Range..... | -40°C to +150°C |
| | | Lead Temperature (soldering, 10s)..... | +260°C |

Stresses beyond those listed under "Absolute Maximum Ratings" may cause permanent damage to the device. These are stress ratings only, and functional operation of the device at these or any other conditions beyond those indicated in the operational sections of the specifications is not implied. Exposure to absolute maximum rating conditions for extended periods may affect device reliability.

Drops onto hard surfaces can cause shocks of greater than 10,000 g and can exceed the absolute maximum rating of the device. Exercise care in handling to avoid damage.

Package Thermal Characteristics (Note 1)

LGA

| | | | |
|---|----------|--|---------|
| Junction-to-Case Thermal Resistance (θ _{JC})..... | 31.8°C/W | Junction-to-Ambient Thermal Resistance (θ _{JA})..... | 160°C/W |
|---|----------|--|---------|

Note 1: Package thermal resistances were obtained using the method described in JEDEC specification JESD51-7, using a four-layer board. For detailed information on package thermal considerations, refer to www.maximintegrated.com/thermal-tutorial.

Electrical Characteristics

(V_{DD} = V_{DDIO} = 2.5V, , T_A = -40°C to +85°C, INT1, INT2, SDA, and SCL are unconnected, unless otherwise noted. Typical values are at T_A = +25°C).

| PARAMETER | SYMBOL | CONDITIONS | MIN | TYP | MAX | UNITS |
|--|-------------------|-----------------|------|--------|------------------------|----------|
| SUPPLY AND CONSUMPTION | | | | | | |
| V _{DD} Supply Voltage | V _{DD} | | 1.71 | 2.5 | 3.6 | V |
| V _{DDIO} (Note 2) | V _{DDIO} | | 1.71 | 2.5 | V _{DD} + 0.3V | V |
| IDD Current Consumption Normal Mode | I _{VDDN} | | | 5.1 | | mA |
| IDD Current Consumption Standby Mode (Note 3) | I _{VDDS} | | | 2.7 | | mA |
| IDD Current Consumption Eco Mode (Note 4) | I _{VDDT} | 200Hz ODR | | 3.3 | | mA |
| | | 100Hz ODR | | 3.0 | | mA |
| IDD Current Consumption Power Down Mode | I _{VDDP} | | | 8.5 | | µA |
| TEMPERATURE SENSOR | | | | | | |
| Temperature Sensor Output Change vs. Temperature | T _{SDR} | 8 bit | | 1 | | digit/°C |
| | | 16 bit | | 256 | | digit/°C |
| Temperature BW | T _{BW} | | | 1 | | Hz |
| Temperature Sensor Bias | T _{BIAS} | At 25°C, 8 bit | | 25 | | digit |
| | | At 25°C, 16 bit | | 6400 | | |
| GYROSCOPE | | | | | | |
| Gyro Full-Scale Range | G _{FSR} | User selectable | | ±31.25 | | dps |
| | | | | ±62.5 | | |
| | | | | ±125 | | |
| | | | | ±250 | | |
| | | | | ±500 | | |
| | | | | ±1000 | | |

Electrical Characteristics (continued)

($V_{DD} = V_{DDIO} = 2.5V$, $T_A = -40^{\circ}C$ to $+85^{\circ}C$, **INT1, INT2, SDA, and SCL are unconnected**, unless otherwise noted. Typical values are at $T_A = +25^{\circ}C$).

| PARAMETER | SYMBOL | CONDITIONS | MIN | TYP | MAX | UNITS |
|--|-------------|--|-----|-----------|-----|----------------------|
| Gyro Rate Noise Density | G_{RND} | For all the f_S and over the whole V_{DD} including 1.8V | | 0.007 | | dps/ \sqrt{Hz} |
| Gyro Rate Noise Density in Eco Mode | G_{SPRND} | For all the FS and over the whole V_{DD} including 1.8V at 200Hz ODR | | 0.020 | | dps/ \sqrt{Hz} |
| Gyro Bandwidth (Lowpass) (Note 5) | G_{BWL} | | 2 | | 400 | Hz |
| Gyro Bandwidth (Highpass) (Note 6) | G_{BWH} | | 0.1 | | 100 | Hz |
| Phase Delay | G_{PDL} | At 10Hz, 400Hz bandwidth, 10kHz ODR | | 2.9 | 3.7 | deg |
| | | At 10Hz, 400Hz bandwidth, 10kHz ODR | | 1.0 | 1.6 | |
| Output Data Rate (Note 7) | G_{ODR} | | 5 | | 10k | Hz |
| Sensitivity Error | G_{SE} | | | ± 2 | | % |
| Sensitivity | G_{SO} | $G_{FSR} = 31.25$ | | 960 | | digit/ dps |
| | | $G_{FSR} = 62.5$ | | 480 | | |
| | | $G_{FSR} = 125$ | | 240 | | |
| | | $G_{FSR} = 250$ | | 120 | | |
| | | $G_{FSR} = 500$ | | 60 | | |
| | | $G_{FSR} = 1000$ | | 30 | | |
| Sensitivity Drift Over Temperature | G_{SD} | Maximum delta from $T_A = +25^{\circ}C$ | | ± 2 | | % |
| Zero Rate Level Error | G_{ZRLE} | | | ± 0.5 | | dps |
| Zero Rate Level Drift Over Temperature | G_{ZRLD} | Maximum delta from $T_A = +25^{\circ}C$ | | ± 2 | | dps |
| Startup Time from Power Down | G_{TUPL} | | | 45 | | ms |
| Startup Time from Standby Mode | G_{TUPS} | $G_{ODR} = 10kHz$, $G_{BWL} = 400Hz$ | | 5 | | ms |
| Nonlinearity | G_{NLN} | | | 0.2 | | % f_S |
| Angular Random Walk (ARW) | G_{ARW} | | | 0.45 | | $^{\circ}/\sqrt{hr}$ |
| In-Run Bias Stability | G_{IBS} | At 1000s | | 4 | | $^{\circ}/hr$ |
| Cross Axis | G_{XX} | | | 1 | | % |
| Self-Test Output | STOR | For $G_{RSR} = 125, 250, 500, 1000$ dps, axis X, Z | | $+f_S/2$ | | dps |

Electrical Characteristics (continued)(V_{DD} = V_{DDIO} = 2.5V, T_A = -40°C to +85°C, unless otherwise noted. Typical values are at T_A = +25°C).

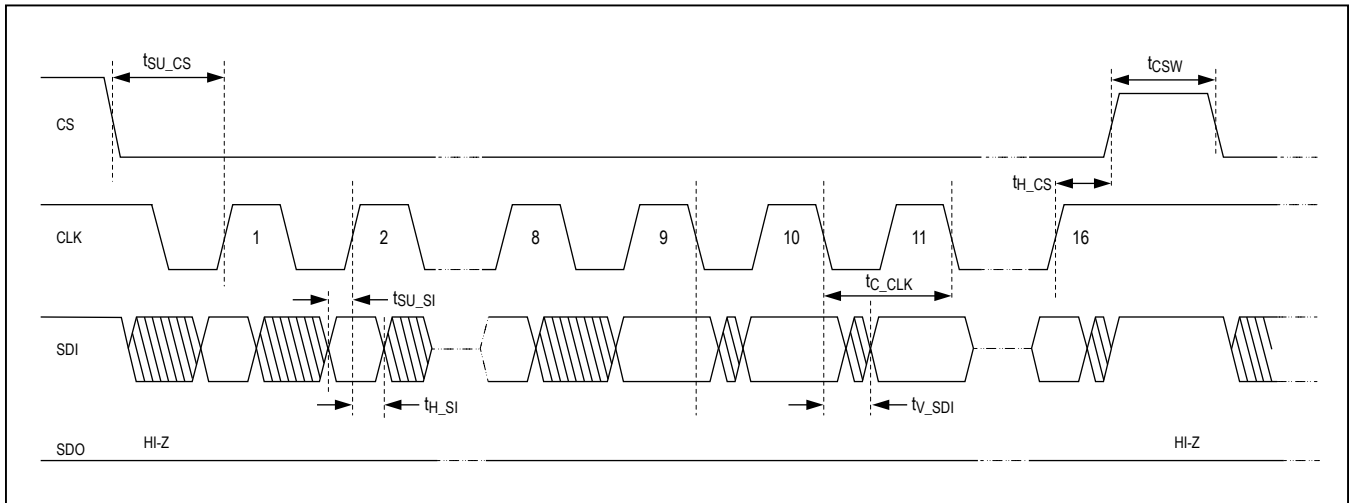
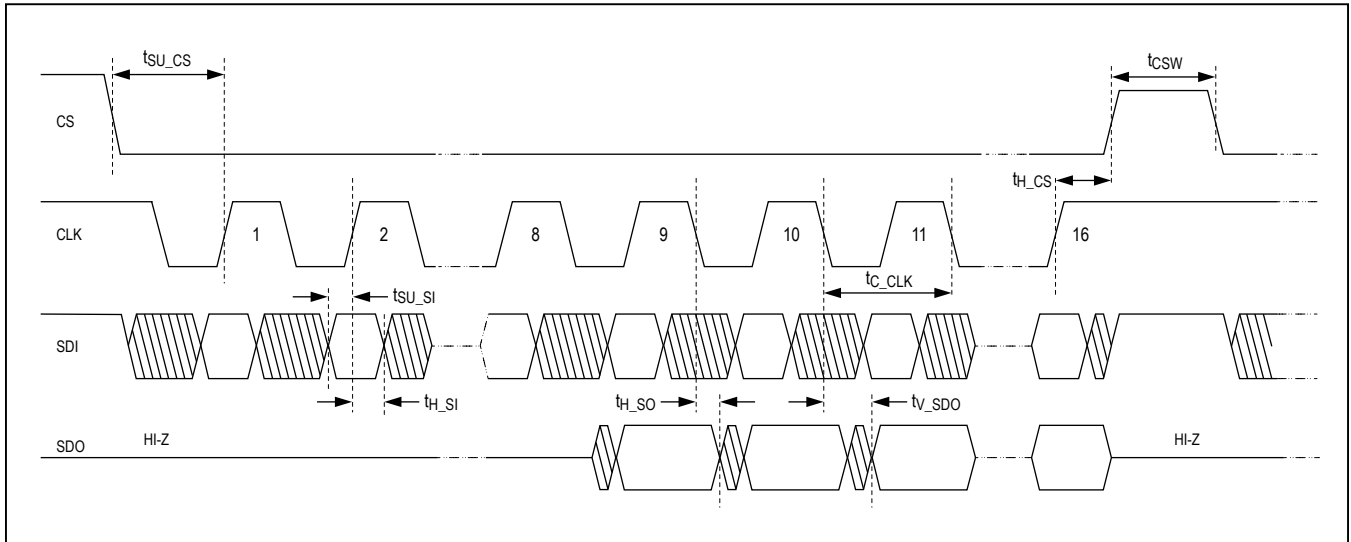
| PARAMETER | SYMBOL | CONDITIONS | MIN | TYP | MAX | UNITS |
|---|----------------------------------|------------------------|--------------------------|-----|--------------------------|-------|
| IO DC SPECIFICATIONS (Note 9) | | | | | | |
| Input Threshold Low | V _{IL} | T _A = +25°C | | | +0.3 x V _{DDIO} | V |
| Input Threshold High | V _{IH} | T _A = +25°C | 0.7 x V _{DDIO} | | | V |
| Hysteresis of Schmitt Trigger input | V _{HYS} | T _A = +25°C | 0.05 x V _{DDIO} | | | V |
| Output Current (Note 8) | I _{OH} /I _{OL} | I2C_CFG[3:2] = 00 | | 3 | | mA |
| | | I2C_CFG[3:2] = 01 | | 6 | | mA |
| | | I2C_CFG[3:2] = 11 | | 12 | | mA |
| SPI SLAVE TIMING VALUES (Note 10) | | | | | | |
| CLK Frequency | f _{C_CLK} | | | | 10 | MHz |
| CS Setup Time | t _{SU_CS} | | 10 | | | ns |
| CS Hold Time | t _{H_CS} | | 15 | | | ns |
| SDI Input Setup Time | t _{SU_SI} | | 10 | | | ns |
| SDI Input Hold Time | t _{H_SI} | | 15 | | | ns |
| CLK Fall to SDO Valid Output Time | t _{V_SDO} | | | | 50 | ns |
| SDO Output Hold Time | T _{H_SO} | | 10 | | | ns |
| I²C TIMING (Note 9) | | | | | | |
| SCL Clock Frequency | f _{SCL} | Standard mode | 0 | | 100 | kHz |
| | | Fast mode | 0 | | 400 | |
| Hold Time (Repeated) START Condition | t _{HD;STA} | Standard mode | 4.0 | | | μs |
| | | Fast mode | 0.6 | | | |
| Low Period of SCL Clock | t _{LOW} | Standard mode | 4.7 | | | μs |
| | | Fast mode | 1.3 | | | |
| High Period of SCL Clock | t _{HIGH} | Standard mode | 4.0 | | | μs |
| | | Fast mode | 0.6 | | | |
| Setup Time for a Repeated START Condition | t _{SU;STA} | Standard mode | 4.7 | | | μs |
| | | Fast mode | 0.6 | | | |
| Data Hold Time | t _{HD;DAT} | Standard mode | 0 | | | μs |
| | | Fast mode | 0 | | | |
| Data Setup Time | t _{SU;DAT} | Standard mode | 250 | | | ns |
| | | Fast mode | 100 | | | |

Electrical Characteristics (continued)(V_{DD} = V_{DDIO} = 2.5V, T_A = -40°C to +85°C, unless otherwise noted. Typical values are at T_A = +25°C).

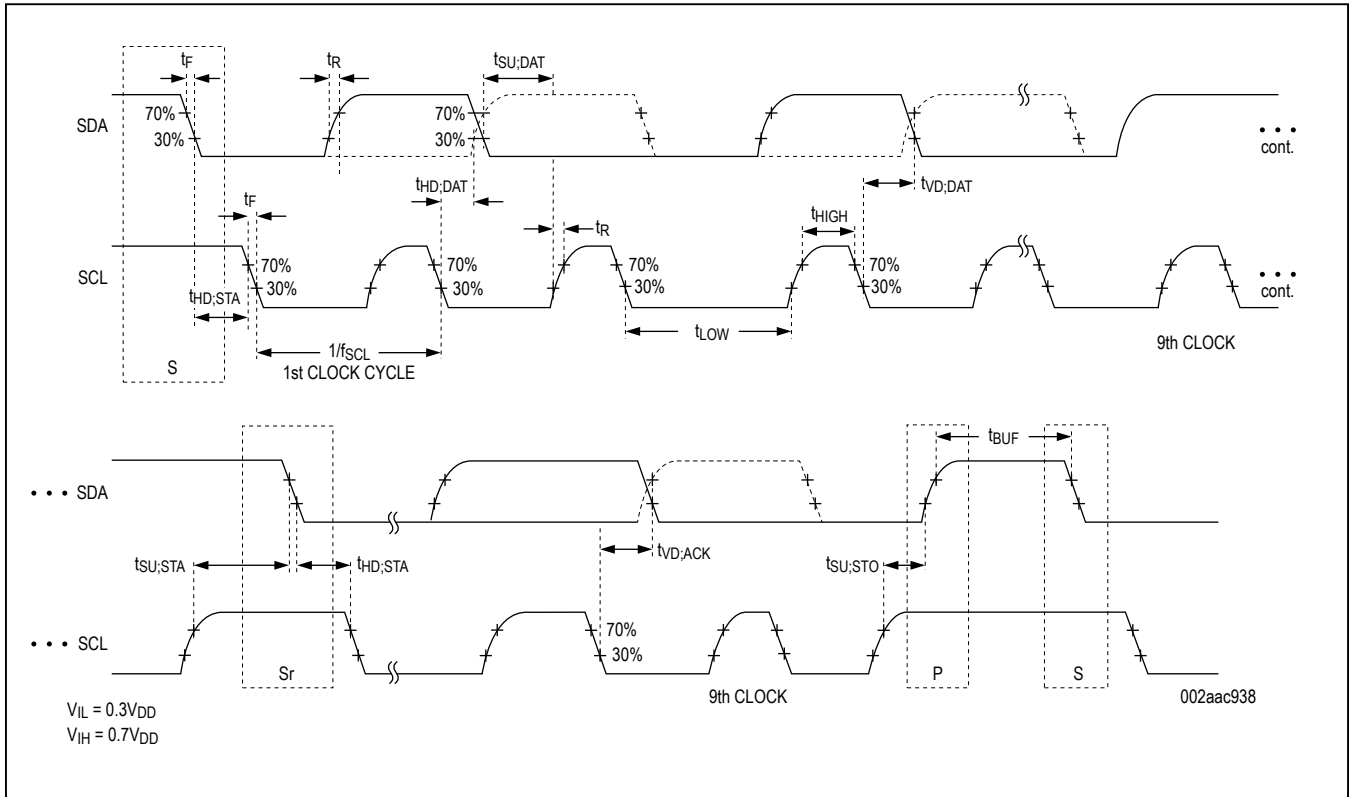
| PARAMETER | SYMBOL | CONDITIONS | MIN | TYP | MAX | UNITS |
|--|---------------------|---------------|-----|-----|------|-------|
| Setup Time for STOP Condition | t _{SU;STO} | Standard mode | 4.0 | | | ns |
| | | Fast mode | 0.6 | | | |
| Bus Free Time Between a STOP and a START Condition | t _{BUF} | Standard mode | 4.7 | | | ns |
| | | Fast mode | 1.3 | | | |
| Data Valid Time | t _{VD;DAT} | Standard mode | | | 3.45 | ns |
| | | Fast mode | | | 0.9 | |
| Data Valid Acknowledge Time | t _{VD;ACK} | Standard mode | | | 3.45 | ns |
| | | Fast mode | | | 0.9 | |
| ESD PROTECTION | | | | | | |
| Human Body Model | HBM | | | ±2 | | kV |

Note 2: V_{DDIO} must be lower or equal than V_{DD} analog.**Note 3:** In standby mode, only the drive circuit is powered on. In this condition, the outputs are not available. In this condition, the startup time depends only on the filters responses.**Note 4:** In eco mode, the sensor has higher rate noise density, but lower current consumption. In this condition, the selectable output data rate (ODR) is either 25Hz, 50Hz, 100Hz, or 200Hz.**Note 5:** User selectable. Gyro bandwidth accuracy is 10%.**Note 6:** Enable/disable with user selectable bandwidth. Gyro bandwidth accuracy is 10%.**Note 7:** User selectable with 256 possible values from 10kHz down to 5Hz. ODR accuracy is ±10%.**Note 8:** User can choose the best output current based on his PCB, interface speed, load, and consumption.**Note 9:** Based on characterization results, not tested in production.**Note 10:** Based on characterization results, not tested in production. Test conditions are I2C_CFG[3:0] = 1111.

SPI Timing Diagrams

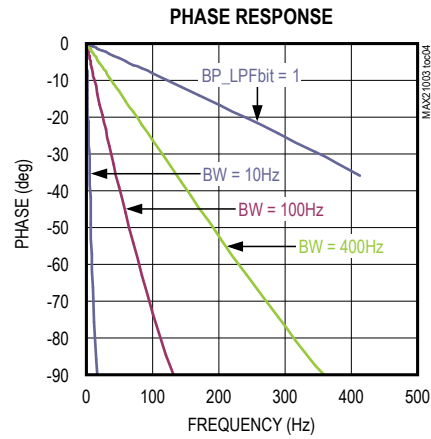
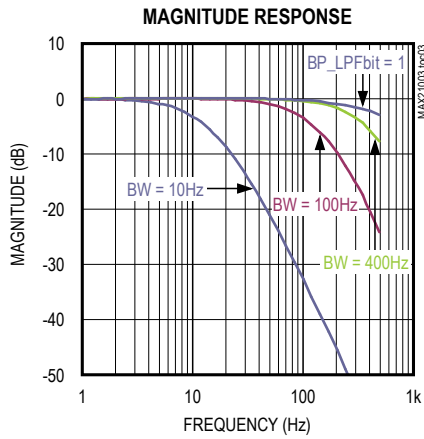
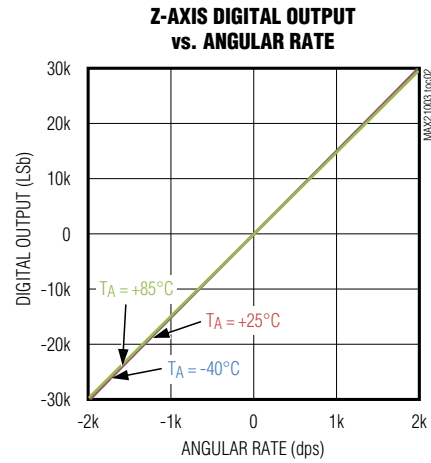
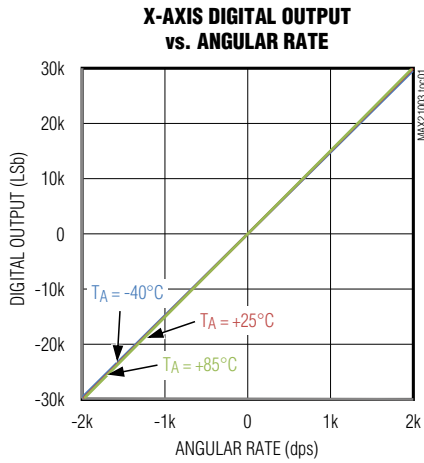


I2C Timing Diagram in Standard Mode

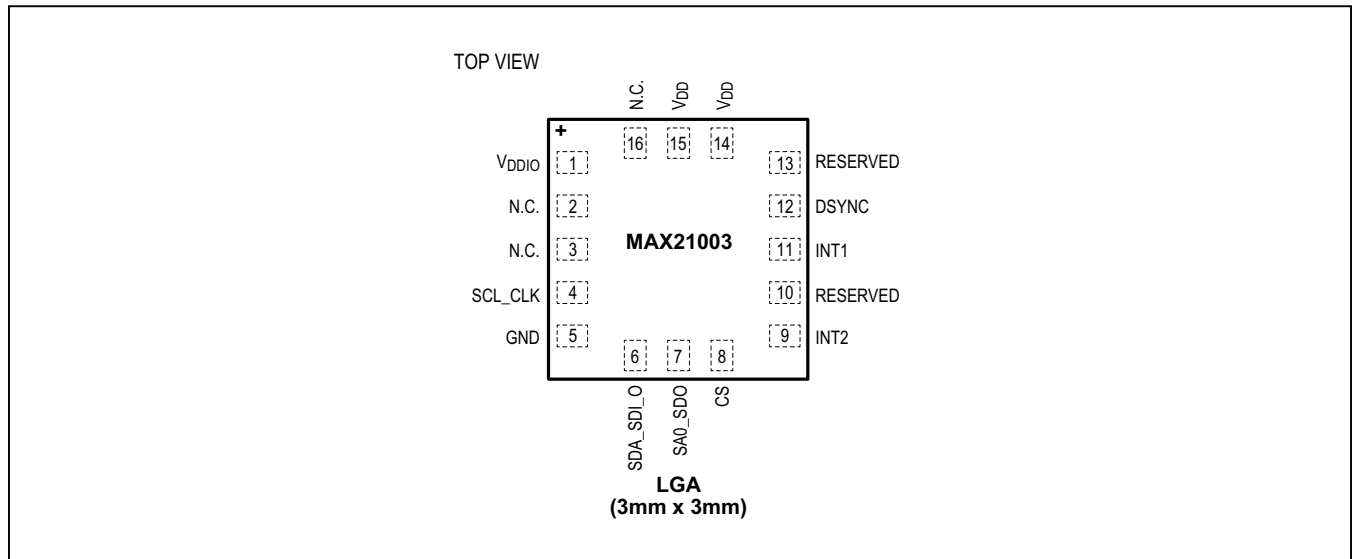


Typical Operating Characteristics

($V_{DD} = V_{DDIO} = 2.5V$, $T_A = +25^\circ C$, unless otherwise noted.)



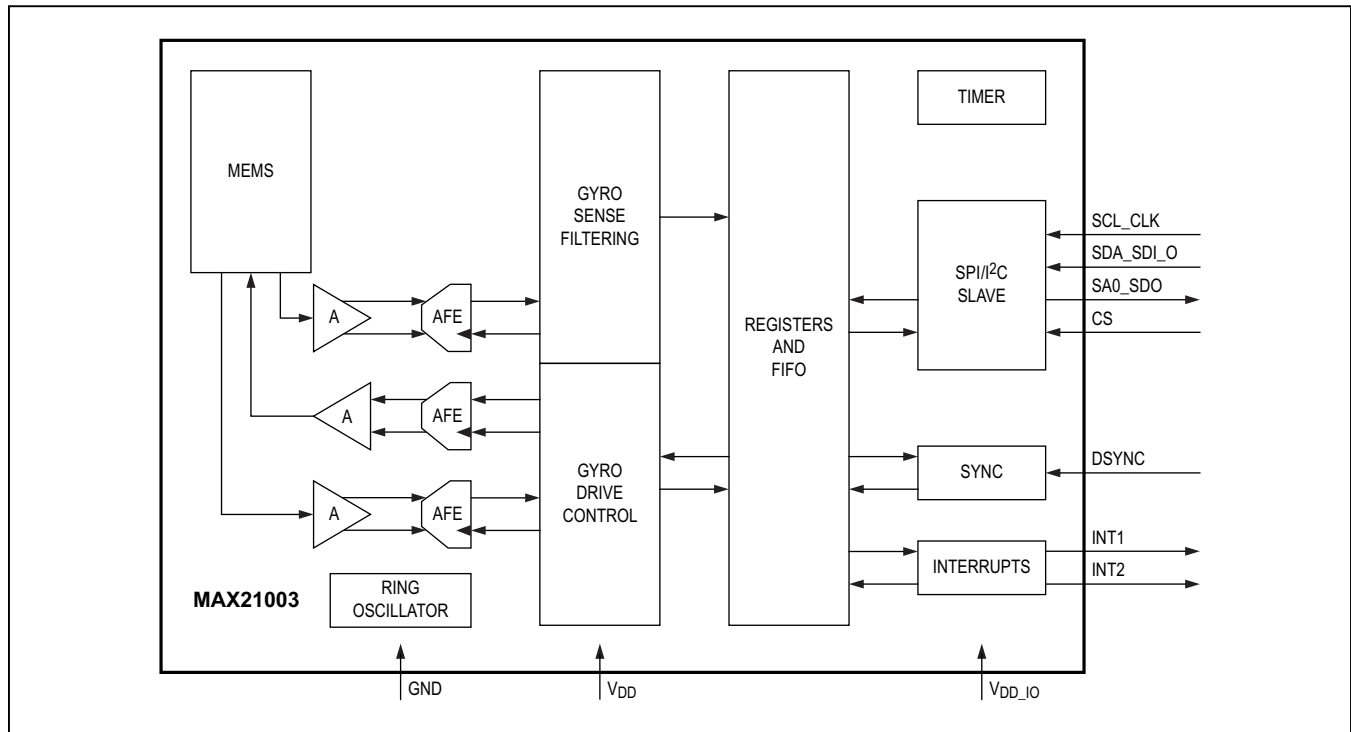
Pin Configuration



Pin Description

| PIN | NAME | FUNCTION |
|----------|--------------------|--|
| 1 | V _{DD_IO} | Interface and Interrupt Pad Supply Voltage |
| 2, 3, 16 | N.C. | Not Internally Connected |
| 4 | SCL_CLK | SPI and I2C Clock. When in I2C mode, the IO has selectable antispikes filter and delay to ensure correct hold time. |
| 5 | GND | Power-Supply Ground. |
| 6 | SDA_SDI_O | SPI In/Out Pin and I2C Serial Data. When in I2C mode, the IO has selectable antispikes filter and delay to ensure correct hold time. |
| 7 | SA0_SDO | SPI Serial Data Out or I2C Slave Address LSB |
| 8 | CS | SPI Chip Select/Serial Interface Selection |
| 9 | INT2 | Second Interrupt Line |
| 10 | RESERVED | Must Be Connected to GND |
| 11 | INT1 | First Interrupt Line |
| 12 | DSYNC | Data Synchronization Pin. Used to wake up the MAX21003 from power-down/standby and synchronize data with GPS/camera. |
| 13 | RESERVED | Leave Unconnected |
| 14 | V _{DD} | Analog Power Supply. Bypass to GND with a 0.1µF capacitor and one 1µF capacitor. |
| 15 | V _{DD} | Must be tied to V _{DD} in the application. |

Functional Diagram



Detailed Description

The MAX21003 is a low power, low voltage, small package dual-axis angular rate sensor able to provide unprecedented accuracy and sensitivity over temperature and time.

The IC is also the industry's first gyroscope available in a 3mm x 3mm package and capable of working with a supply voltage as low as 1.71V.

It includes a sensing element and an IC interface that provides the measured angular rate to the external world through a digital interface (I²C/SPI).

The IC has a full scale of $\pm 31.25/\pm 62.5/\pm 125/\pm 250/\pm 500/\pm 1000$ dps for OIS. It measures rates with a user-selectable bandwidth.

The IC is available in a 3mm x 3mm x 0.9 mm plastic land grid array (LGA) package and operates over the -40°C to $+85^{\circ}\text{C}$ temperature range.

Definitions

Power supply (V): This parameter defines the operating DC power-supply voltage range of the MEMS gyroscope. Although it is always a good practice to keep V_{DD} clean with minimum ripple, unlike most of the competitors, who require an ultra-low noise, low-dropout regulator to power

the MEMS gyroscope, the MAX21003 can not only operate at 1.71V, but that supply can also be provided by a switching regular to minimize the system power consumption.

Power-supply current (mA): This parameter defines the typical current consumption when the MEMS gyroscope is operating in normal mode.

Power-supply current in standby mode (mA): This parameter defines the current consumption when the MEMS gyroscope is in standby mode. To reduce power consumption and have a faster turn-on time, in standby mode only an appropriate subset of the sensor is turned off.

Power supply current in eco mode (mA): This parameter defines the current consumption when the MEMS gyroscope is in a special mode named eco mode. Whilst in eco mode, the MAX21003 significantly reduces the power consumption at the price of a slightly higher rate noise density.

Power-supply current in power-down mode (μA): This parameter defines the current consumption when the MEMS gyroscope is powered down. In this mode, both the mechanical sensing structure and reading chain are turned off. Users can configure the control register through the I²C/SPI interface for this mode. Full access

to the control registers through the I²C/SPI interface is guaranteed also in power-down mode.

Full-scale range (dps): This parameter defines the measurement range of the gyroscope in degrees per second (dps). When the applied angular velocity is beyond the full-scale range, the gyroscope output signal is saturated.

Zero-rate level (dps): This parameter defines the zero rate level when there is no angular velocity applied to the gyroscope.

Sensitivity (digit/dps): Sensitivity (digit/dps) is the relationship between 1 LSB and dps. It can be used to convert a digital gyroscope's measurement in LSBs to angular velocity.

Sensitivity change vs. temperature (%): This parameter defines the sensitivity change in percentage (%) over the operating temperature range specified in the data sheet.

Zero-rate level change vs. temperature (dps): This parameter defines the zero-rate level change in dps over the operating temperature range.

Nonlinearity (% FS): This parameter defines the maximum error between the gyroscope's outputs and the best-fit straight line in percentage with respect to the full-scale (FS) range.

System bandwidth (Hz): This parameter defines the frequency of the angular velocity signal from DC to the built-in bandwidth (BW) that the gyroscopes can measure. A dedicated register can be modified to adjust the gyroscope's bandwidth.

Rate noise density (dps/√Hz): This parameter defines the standard resolution that users can get from the gyroscopes outputs together with the BW parameter.

MAX21003 Architecture

The MAX21003 comprises the following key blocks and functions:

- Dual-axis MEMS rate gyroscope sensor with 16-bit ADCs and signal conditioning
- Primary I²C and SPI serial communications interfaces
- Sensor data registers
- FIFO
- Synchronization
- Interrupt generators
- Digital output temperature sensor
- Self-test

Dual-Axis MEMS Gyroscope with 16-Bit ADCs and Signal Conditioning

The IC consists of a single-drive vibratory MEMS gyroscope that detects rotations around the X and Z axes. When the gyroscope rotates around any of the sensing axes, the Coriolis Force determines a displacement, which can be detected as a capacitive variation. The resulting signal is then processed to produce a digital stream proportional to the angular rate. The analog-to-digital conversion uses 16-bit ADC converters. The gyro full-scale range can be digitally programmed to $\pm 31.25/\pm 62.5/\pm 125/\pm 250/\pm 500/\pm 1000$ dps.

Interrupt Generators

The MAX21003 offers two completely independent interrupt generators to ease the SW management of the interrupt generated. For instance, one line could be used to signal a DATA_READY event whilst the other line might be used, for instance, to notify the completion of the internal startup sequence.

Interrupt functionality can be configured through the Interrupt Configuration registers. Configurable items include the INT pin level and duration, the clearing method, as well as the required triggers for the interrupts.

The interrupt status can be read from the Interrupt Status Registers. The event that has generated an interrupt is available in two forms: latched and unlatched.

Interrupt sources can be enabled/disabled and cleared individually. The list of possible interrupt sources includes the following conditions: DATA_READY, FIFO_READY, FIFO_THRESHOLD, FIFO_OVERRUN, RESTART, DSYNC.

The interrupt generation can also be configured as latched, unlatched, or timed with programmable length. When configured as latched, the interrupt can be cleared by reading the corresponding status register (clear-on-read) or by writing an appropriate mask to the status register (clear-on-write).

Digital-Output Temperature Sensor

A digital output temperature sensor is used to measure the IC die temperature. The readings from the ADC can be accessed from the Sensor Data registers.

The temperature data is split over 2 bytes. For faster and less accurate reading, accessing the MSB allows to read the temperature data as an absolute value expressed in Celsius degrees (°C). By reading the LSB, the accuracy is greatly increased, up to 256 digit/°C.

Power Modes

The IC features four power modes, allowing selecting the appropriate tradeoff between power consumption, accuracy, and turn-on time.

The transition between power modes can be controlled by software, by explicitly setting a power mode in the Configuration register, or by enabling the automatic power mode transition based on the DSYNC pin.

Normal Mode

In normal mode, the IC is operational with minimum noise level.

Eco Mode

The eco mode reduces power consumption with the same sensor accuracy at the price of a higher rate noise density.

This unique feature can be activated with four ODRs: 25Hz, 50Hz, 100Hz, and 200Hz.

Standby Mode

To reduce power consumption and have a shorter turn-on time, the IC features a standby mode. In standby mode, the IC does not generate data, as a significant portion of the signal processing resources is turned off to save power. Still, this mode enables a much quicker turn-on time.

Power-Down Mode

In power-down mode, the IC is configured to minimize the power consumption. In power-down mode, registers can still be read and written, but the gyroscope cannot generate new data. Compared to the standby mode, it takes longer to activate the IC and to start collecting data from the gyroscope.

Digital Interfaces

The registers embedded inside the IC can be accessed through both the I²C and SPI serial interfaces. The latter can be SW-configured to operate either in 3-wire or 4-wire interface mode.

The serial interfaces are mapped onto the same pins. To select/exploit the I²C interface, CS line must be tied high (i.e., connected to V_{DDIO}).

I²C Interface

I²C is a two-wire interface comprised of the signals serial data (SDA) and serial clock (SCL). In general, the lines are open-drain and bidirectional. In a generalized I²C interface implementation, attached devices can be a master or a slave. The master device puts the slave address on the bus, and the slave device with the matching address acknowledges the master.

Table 1. Power Modes

| NAME | DESCRIPTION |
|------------|--|
| Normal | Device is operational with maximum performances. |
| Eco | Device operates to reduce the average current consumption. |
| Standby | In standby mode, the current consumption is reduced by 50% with a shorter turn-on time of 5ms. |
| Power-Down | This is the minimum power consumption mode, at the price of a longer turn-on time. |

Table 2. Digital Interface Pin Description

| NAME | DESCRIPTION |
|-------------|--|
| CS | SPI enable and I ² C/SPI mode selection (1: I ² C mode, 0: SPI enabled) |
| SCL/CLK | SPI and I ² C clock. When in I ² C mode, the IO has selectable anti-spike filter and delay to ensure correct hold time. |
| SDA/SDI/SDO | SPI in/out pin and I ² C serial data. When in I ² C mode, the IO has selectable anti-spike filter and delay to ensure correct hold time. |
| SDO/SA0 | SPI serial data out or I ² C slave address LSB |

Table 3. I²C Address

| I ² C BASE ADDRESS | SA0/SDO PIN | R/W BIT | RESULTING ADDRESS |
|-------------------------------|-------------|---------|-------------------|
| 0x2C (6 bit) | 0 | 0 | 0xB0 |
| 0x2C | 0 | 1 | 0xB1 |
| 0x2C | 1 | 0 | 0xB2 |
| 0x2C | 1 | 1 | 0xB3 |

The IC always operates as a slave device when communicating to the system processor, which thus acts as the master. SDA and SCL lines typically need pullup resistors to V_{DDIO}. The maximum bus speed is 3.4MHz (I²C HS); this reduces the amount of time the system processor is kept busy in supporting the exchange of data.

The slave address of the IC is b101100X, which is 7 bits long. The LSb of the 7-bit address is determined by the logic level on pin SA0. This allows two MAX21003s to be connected on the same I²C bus. When used in this configuration, the address of one of the two devices should

be b1011000 (pin SA0_SD0 is set to logic-low) and the address of the other should be b1011001 (pin SA0_SD0 is set to logic-high).

SPI Interface

The IC's SPI can operate up to 20MHz, in both 3-wires (half duplex) and 4-wires mode (full duplex).

It is recommended to set the I2C_DISABLE bit at address 0x15 if the IC is used together with other SPI devices to avoid the possibility to switch inadvertently into I2C mode when traffic is detected with the CS unasserted.

The IC operates as an SPI slave device. Both the read register and write register commands are completed in 16 clock pulses, or in multiples of 8 in case of multiple read/write bytes. Bit duration is the time between two falling edges of CLK.

The first bit (bit 0) starts at the first falling edge of CLK after the falling edge of CS while the last bit (bit 15, bit 23, etc.) starts at the last falling edge of CLK just before the rising edge of CS.

Bit 0: RW bit. When 0, the data DI[7:0] is written to the IC. When 1, the data DO[7:0] from the device is read. In the latter case, the chip drives SDO at the start of bit 8.

Bit 1: MS bit. Depending on the configuration of IF_PARITY, this bit can either be used to operate in multi-addressing standard mode or to check the parity with the register address.

If used as MS bit, when 1, the address remains unchanged in multiple read/write commands. When 0, the address is autoincremented in multiple read/write commands.

Bits 2–7: Address AD[5:0]. This is the address field of the indexed register.

Bits 8–15: Data DI[7:0] (write mode). This is the data that is written to the device (MSb first).

Bits 8–15: Data DO[7:0] (read mode). This is the data that is read from the device (MSb first).

SPI Half- and Full-Duplex Operation

The IC can be programmed to operate in half-duplex (a bidirectional data pin) or full-duplex (one data-in and one data-out pin) mode. The SPI master sets a register bit called SPI_3_WIRE into ITF_OTP to 0 for full-duplex, and 1 for half-duplex operation. Full duplex is the power-on default.

Full-Duplex Operation

The IC is put into full-duplex mode at power-up, or when the SPI master clears the SPI_3_WIRE bit, the SPI interface uses separate data pins, MOSI and MISO to transfer data. Because of the separate data pins, bits can be simultaneously clocked into and out of the IC. The IC makes use of this feature by clocking out 8 output data bits as the command byte is clocked in.

Reading from the SPI Slave Interface (MOSI)

The SPI master reads data from the IC slave interface using the following steps:

- 1) When CS is high, the IC is unselected and three-states the MISO output.
- 2) After driving SCL_CLK to its inactive state, the SPI master selects the IC by driving CS low.
- 3) The SPI master simultaneously clocks the command byte into the IC. The SPI Read command is performed with 16 clock pulses. Multiple byte read command is performed adding blocks of 8 clock pulses at the previous one.

Bit 0: READ bit. The value is 1.

Bit 1: MS bit. When 1, do not increment address. When 0, increment address in multiple reading.

Bits 2–7: address AD[5:0]. This is the address field of the indexed register.

Bits 8–15: data DO[7:0] (read mode). This is the data that is read from the device (MSb first).

Bits 16–... : data DO[...–8]. Further data in multiple byte reading.

- 4) After 16 clock cycles, the master can drive CS high to deselect the IC, causing it to three-state its MISO output. The falling edge of the clock puts the MSB of the next data byte in the sequence on the MISO output.
- 5) By keeping CS low, the master clocks register data bytes out of the IC by continuing to supply SCL_CLK pulses (burst mode). The master terminates the transfer by driving CS high. The master must ensure that SCL_CLK is in its inactive state at the beginning of the next access (when it drives CS low).

Writing to the SPI Slave Interface (SDI)

The SPI master writes data to the IC slave interface through the following steps:

- 1) The SPI master sets the clock to its inactive state. When CS is high, the master can drive the MOSI input.
- 2) The SPI master selects the IC by driving CS low.
- 3) The SPI master simultaneously clocks the command byte into the IC. The SPI write command is performed with 16 clock pulses. Multiple byte write command is performed adding blocks of 8 clock pulses at the previous one.
 - Bit 0:** WRITE bit. The value is 0.
 - Bit 1:** MS bit. When 1, do not increment address, when 0, increment address in multiple writing.
 - Bits 2–7:** address AD[5:0]. This is the address field of the indexed register.
 - Bits 8–15:** data DI[7:0] (write mode). This is the data that is written inside the device (MSb first).
 - Bits 16–... :** data DI[...–8]. Further data in multiple byte writing.
- 4) By keeping CS low, the master clocks data bytes into the IC by continuing to supply SCL_CLK pulses (burst mode). The master terminates the transfer by driving CS high. The master must ensure that SCL_CLK is inactive at the beginning of the next access (when it drives CS low). In full-duplex mode, the IC outputs data bits on MISO during the first 8 bits (the command byte), and subsequently outputs zeros on MISO as the SPI master clocks bytes into MOSI.

Half-Duplex Operation

When the SPI master sets SPI_3_WIRE = 1, the IC is put into half-duplex mode. In half-duplex mode, the IC three-states its MISO pin and makes the MOSI pin bidirectional, saving a pin in the SPI interface. The MISO pin can be left unconnected in half-duplex operation. The SPI master must operate the MOSI pin as bidirectional. It accesses a IC register as follows: the MOSI master sets the clock to its inactive state. While CS is high, the master can drive the SDI pin to any value.

- 1) The SPI master selects the IC by driving CS low and placing the first data bit (MSB) to write on the SDI input.
- 2) The SPI master turns on its output driver and clocks the command byte into the IC. The SPI read command is performed with 16 clock pulses:

Bit 0: READ bit. The value is 1.

Bit 1: MS bit. When 1, do not increment address. When 0, increment address in multiple readings.

Bit 2–7: Address AD[5:0]. This is the address field of the indexed register.

Bit 8–15: data DO[7:0] (read mode). This is the data that is read from the device (MSb first). Multiple read command is also available in 3-wire mode.

Sensor Data Registers

The sensor data registers contain the latest gyroscope and temperature measurement data.

They are read-only registers and are accessed through the serial interface. Data from these registers can be read anytime. However, the interrupt function can be used to determine when new data is available.

FIFO

The IC embeds a 256-slot of a 16-bit data FIFO for each of the three output channels: yaw and pitch. This allows a consistent power saving for the system since the host processor does not need to continuously poll data from the sensor, but it can wake up only when needed and burst the significant data out from the FIFO. When configured in Snapshot mode, it offers the ideal mechanism to capture the data following a Rate Interrupt event.

This buffer can work according to four main modes: off, normal, interrupt, and snapshot.

Both Normal and Interrupt modes can be optionally configured to operate in overrun mode, depending on whether, in case of buffer under-run, newer or older data are lost.

Various FIFO status flags can be enabled to generate interrupt events on INT1/INT2 pin.

FIFO Off Mode

In this mode, the FIFO is turned off; data are stored only in the data registers and no data are available from the FIFO if read.

When the FIFO is turned off, there are essentially two options to use the device: synchronous and asynchronous reading.

Synchronous Reading

In this mode, the processor reads the data set (e.g., 4 bytes for a 2 axes configuration) generated by the IC every time that DATA_READY is set. The processor must read once and only once the data set in order to avoid data inconsistencies.

Benefits of using this approach include the perfect reconstruction of the signal coming from the gyroscope and minimum data traffic.

Asynchronous Reading

In this mode, the processor reads the data generated by the IC regardless the status of the DATA_READY flag. To minimize the error caused by different samples being read a different number of times, the access frequency to be used must be much higher than the selected ODR (e.g., 10x). This approach normally requires a much higher BW.

FIFO Normal Mode

Overrun = false

- FIFO is turned on.
- FIFO is filled with the data at the selected output

data rate (ODR).

- When FIFO is full, an interrupt can be generated.
- When FIFO is full, all the new incoming data is discharged. Reading only a subset of the data already stored into the FIFO keeps locked the possibility for new data to be written.
- Only if all the data are read, the FIFO restarts saving data.
- If communication speed is high, data loss can be prevented.
- To prevent a FIFO-full condition, the required condition is to complete the reading of the data set before the next DATA_READY occurs.
- If this condition is not guaranteed, data can be lost.

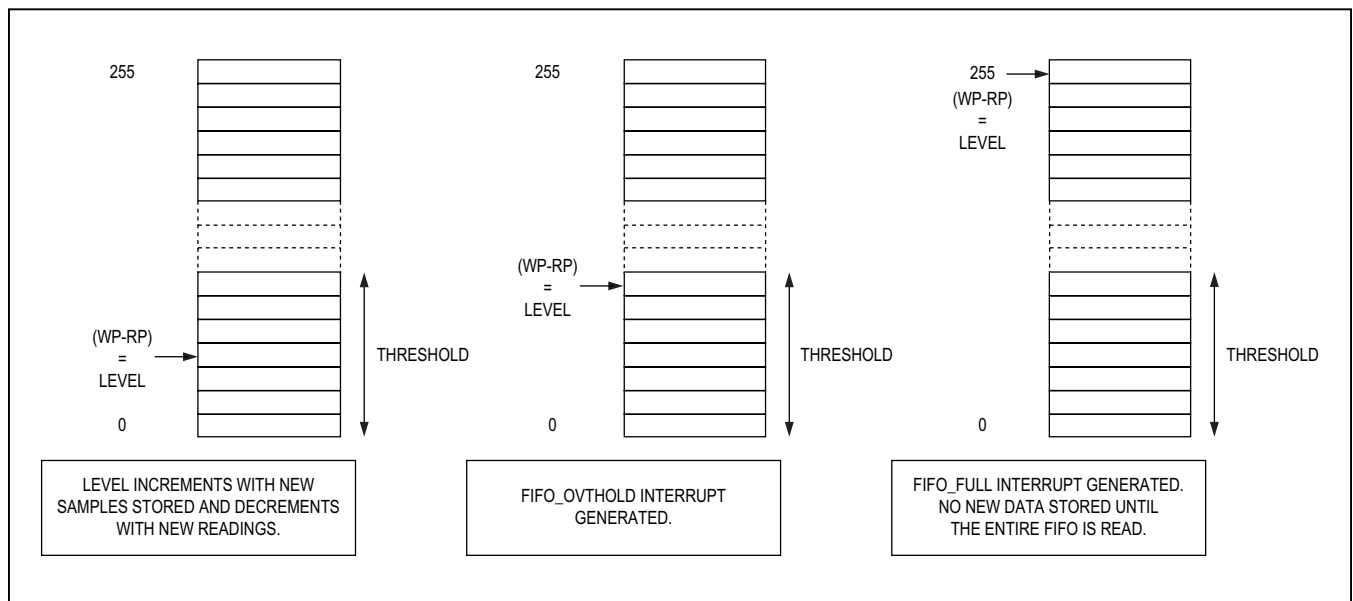


Figure 1. FIFO Normal Mode, Overrun = False

Overrun = true

- FIFO is turned on.
- FIFO is filled with the data at the selected ODR.
- When FIFO is full, an interrupt can be generated.
- When FIFO is full, the oldest data is overwritten with the new ones.
- If communication speed is high, data integrity can be preserved.
- To prevent a DATA_LOST condition, the required condition is to complete the reading of the data set before the next DATA_READY occurs.
- If this condition is not guaranteed, data can be overwritten.
- When an overrun condition occurs the reading pointer is forced to writing pointer -1 to ensure only older data are discarded and newer data have a chance to be read.

Interrupt Mode

Overrun = false

- FIFO is initially disabled. Data are stored only in the data registers.
- When a rate interrupt (either OR or AND) is generated, the FIFO is turned on automatically. It stores the data at the selected ODR.
- When FIFO is full, all the new incoming data is discharged. Reading only a subset of the data already stored into the FIFO keeps locked the possibility for new data to be written.
- Only if all the data are read, the FIFO restarts saving data.
- If communication speed is high, data loss can be prevented.
- To prevent a FIFO-full condition, the required condition is to complete the reading of the data set before the next DATA_READY occurs.
- If this condition is not guaranteed, data can be lost.

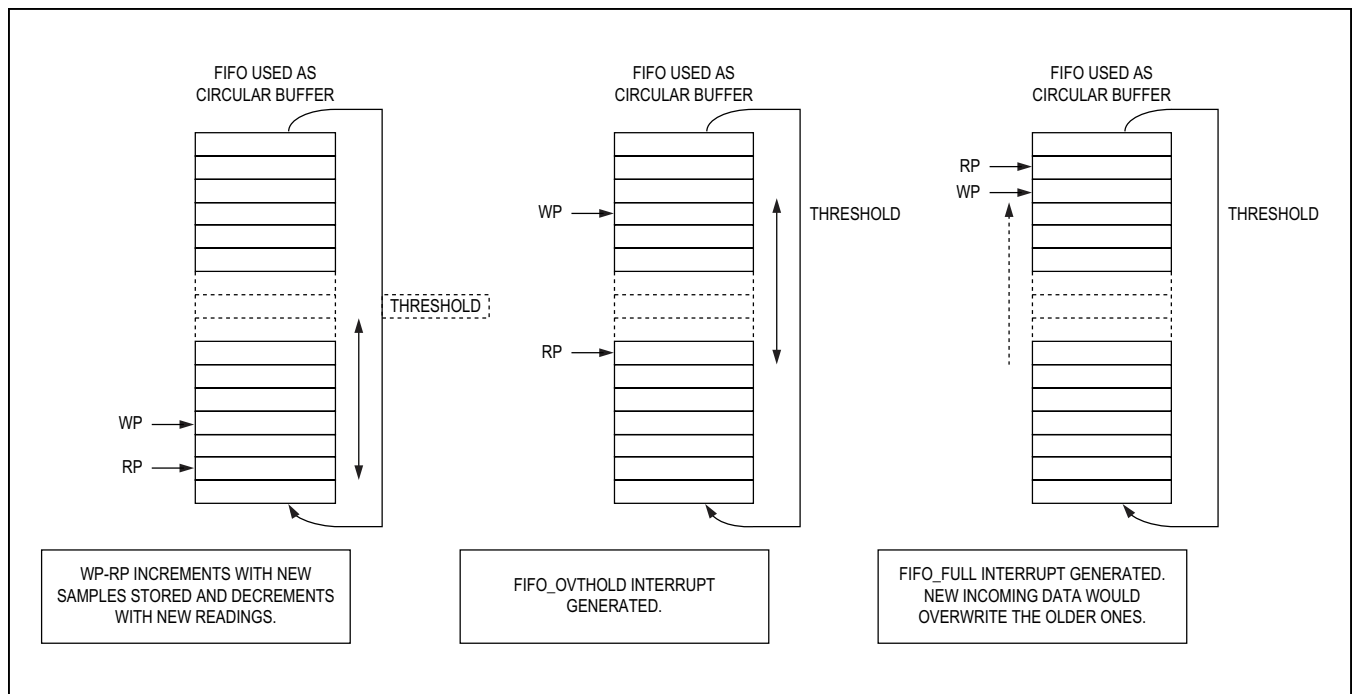


Figure 2. FIFO Normal Mode, Overrun = True

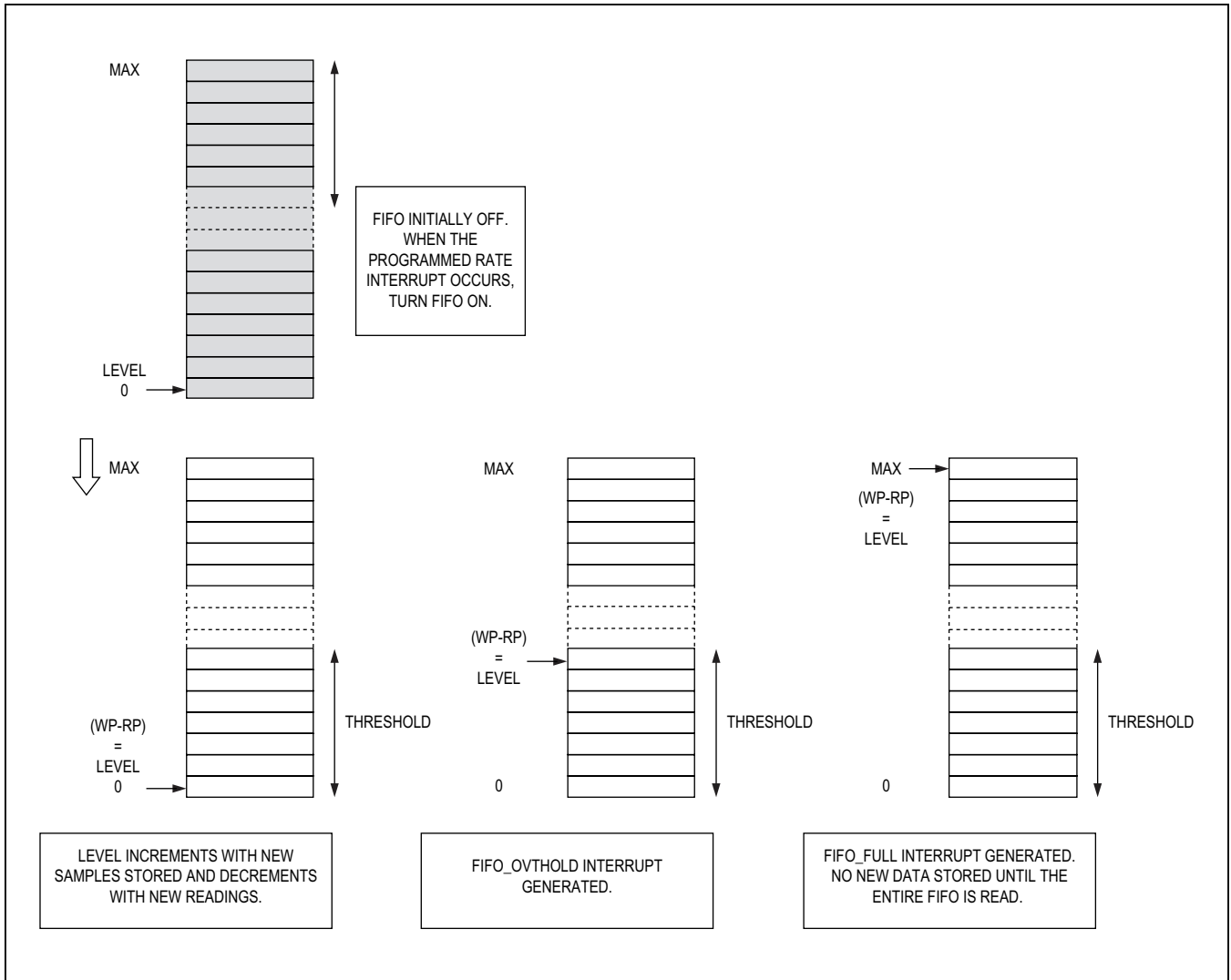


Figure 3. FIFO Interrupt Mode, *Overrun = False*

Overrun = true

- FIFO is initially disabled. Data are stored only in the data registers.
- When a Rate Interrupt (either OR or AND) is generated, the FIFO is turned on automatically. It stores the data at the selected ODR.
- When FIFO is full, an interrupt can be generated.
- When FIFO is full, the oldest data is overwritten with the new ones.
- If communication speed is high, data integrity can be preserved.

- In order to prevent a DATA_LOST condition, the required condition is to complete the reading of the data set before the next DATA_READY occurs.
- If this condition is not guaranteed, data can be overwritten.
- When an overrun condition occurs, the reading pointer is forced to writing pointer -1 to ensure only older data are discarded and newer data have a chance to be read.

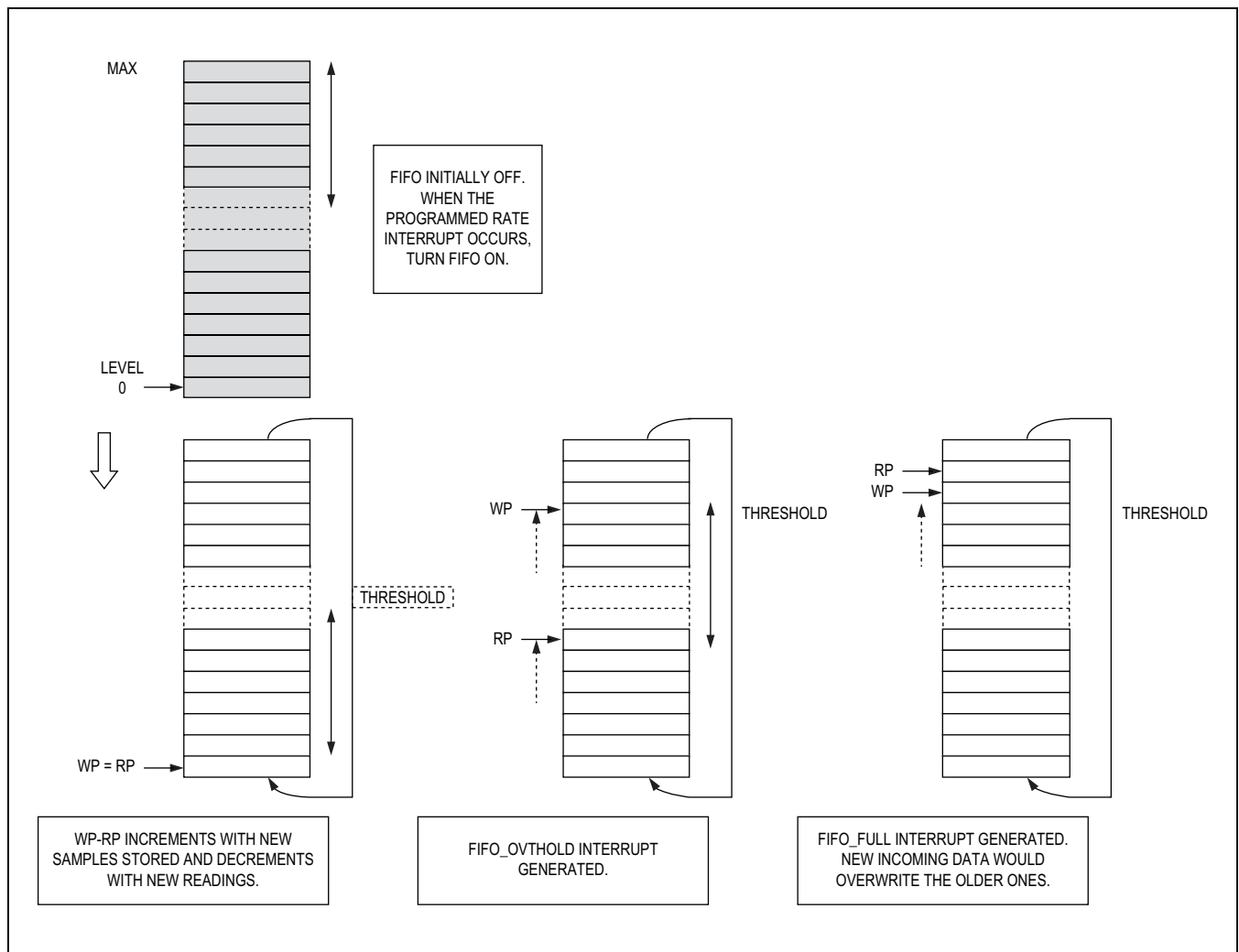


Figure 4. FIFO Interrupt Mode, `Overrun = True`

Snapshot Mode

- FIFO is initially in normal mode with overrun enabled.
- When a Rate Interrupt (either OR or AND) is generated, the FIFO switches automatically to not-overrun mode. It stores the data at the selected ODR until the FIFO becomes full.
- When FIFO is full, an interrupt can be generated.
- When FIFO is full, all the new incoming data is discharged. Reading only a subset of the data already

- stored into the FIFO keeps locked the possibility for new data to be written.
- Only if all the data are read the FIFO restarts saving data.
- If communication speed is high, data loss can be prevented.
- To prevent a FIFO_FULL condition, the required condition is to complete the reading of the data set before the next DATA_READY occurs.
- If this condition is not guaranteed, data can be lost.

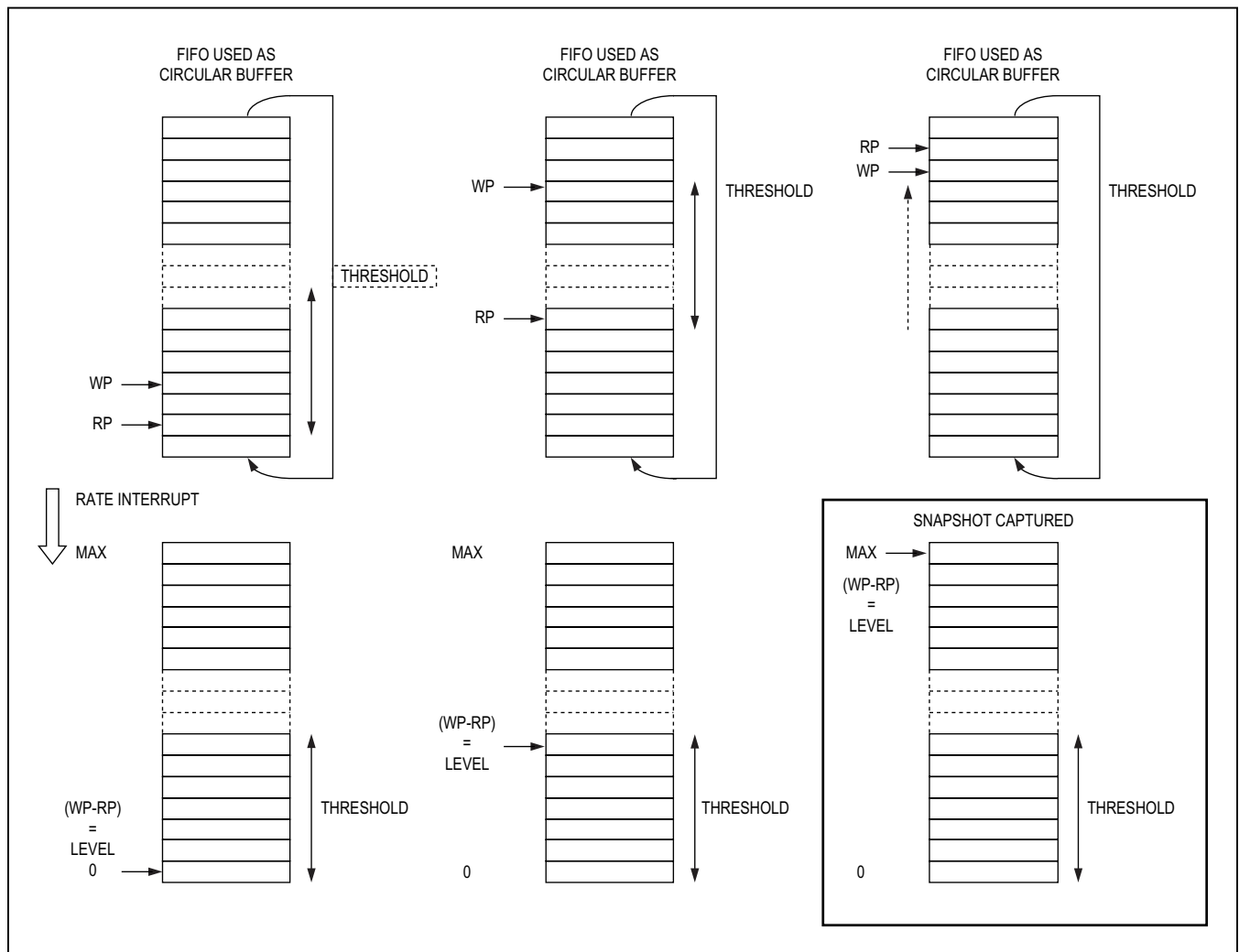


Figure 5. FIFO Snapshot Mode

Bias Instability and Angular Random Walk

Bias instability is a critical performance parameter for gyroscopes. The IC provides a typical bias instability of 4°/hour on each axis and an ARW of 0.45°/√hour, measured using the Allan Variance method.

Data Synchronization

The DSYNC pin enables a number of synchronization options.

Wake-Up Feature

The DSYNC pin can be used to wake-up the IC from the power-down or suspend mode. Repeatedly changing DSYNC from active to not active and vice-versa can be used to control the power mode of the MAX21003 using an external controlling device, be it a microprocessor, another sensor or a different kind of device.

DSYNC can be configured to active either High or Low and on either edge or level. This feature is controlled by a specific bit in the DSYNC_CFG register.

Data Capture Feature

Another way to use the DSYNC pin is as data capture trigger. The IC can be configured to stop generating data until a given edge occur on DSYNC. Once the programmed active edge occurs, the IC collects as many data as specified in the DSYNC_CNT register.

DSYNC Mapping on Data

DSYNC can also be optionally mapped onto the LSB of the sensor data to perform synchronization afterwards. The mapping occurs on every enabled axis of the gyroscope. This feature is controlled by a specific bit in the DSYNC_CFG register.

DSYNC Interrupt Generation

The DSYNC pin can also be used as an interrupt source to determine a different kind of data synchronization

based on the software management performed by an external processor.

The DSYNC-based wake-up, data capture, data mapping, and interrupt generation features can be combined together.

Unique Serial Number

Each IC is uniquely identified by 48 bits that can be used to track the history of the sample, including manufacturing, assembly, and testing information.

Revision ID

The IC has a register used to identify the revision ID of the device and to identify the specific part number. Even though different part numbers may share the same WHO_AM_I value, they would still be identified by means of different Revision ID values.

Clocking

The on-chip PLL locked to the gyroscope allows maintaining the ODR within 2.5%.

Self-Test

For digital gyroscopes, there are two dedicated bits in a control register to enable the self-test. This feature can be used to verify if the gyroscope is working properly without physically rotating the gyroscope. That may be used either before or after it is assembled on a PCB. If the gyroscope's outputs are within the specified self-test values in the data sheet, then the gyroscope is working properly. Therefore, the self-test feature is an important consideration in a user's end-product mass production line.

The embedded self-test in Maxim's 3-axis digital gyroscope is an additional key feature that allows the gyroscope to be tested during final product assembly without requiring physical device movement.

Register File

The register file is organized per banks. On the common bank are mapped addresses from 0x20 to 0x3F and these registers are always available. It is possible to map on addresses 0x00 to 0x1F two different user banks by properly programming address 0x21. The purpose of this structure is to limit the management of the register map

addresses in the 0x00 to 0x3F range even though the number of physical registers is in excess of 64.

Common Bank

The common is the bank whose locations are always available regardless the register bank selection.

This bank contains all the registers most commonly used, including data registers and the FIFO data.

Table 4. Common Bank

| NAME | REGISTER ADDRESS | TYPE | DEFAULT VALUE | COMMENT |
|---------------|------------------|-------------|---------------|-------------------------------------|
| WHO_AM_I | 0x20 | R | 1011 0001 | Device ID |
| BANK_SELECT | 0x21 | R/W | 0000 0000 | Register bank selection |
| SYSTEM_STATUS | 0x22 | R | 0000 0000 | System Status register |
| GYRO_X_H | 0x23 | R | Data | Bits [15:8] of X measurement |
| GYRO_X_L | 0x24 | R | Data | Bits [07:0] of X measurement |
| GYRO_Z_H | 0x25 | R | Data | Bits [15:8] of Z measurement |
| GYRO_Z_L | 0x26 | R | Data | Bits [07:0] of Z measurement |
| RFU | 0x27 | R | | |
| RFU | 0x28 | R | | |
| TEMP_H | 0x29 | R | Data | Bits [15:8] of T measurement |
| TEMP_L | 0x2A | R | Data | Bits [07:8] of T measurement |
| RFU | 0x2B | R | 0000 0000 | |
| RFU | 0x2C | R | 0000 0000 | |
| RFU | 0x2D | R | 0000 0000 | |
| RFU | 0x2E | R | 0000 0000 | |
| RFU | 0x2F | R | 0000 0000 | |
| RFU | 0x30 | R | 0000 0000 | |
| RFU | 0x31 | R | 0000 0000 | |
| RFU | 0x32 | R | 0000 0000 | |
| RFU | 0x33 | R | 0000 0000 | |
| RFU | 0x34 | R | 0000 0000 | |
| RFU | 0x35 | R | 0000 0000 | |
| RFU | 0x36 | R | 0000 0000 | |
| RFU | 0x37 | R | 0000 0000 | |
| RFU | 0x38 | R | 0000 0000 | |
| RFU | 0x39 | R | 0000 0000 | |
| RFU | 0x3A | R | 0000 0000 | |
| HP_RST | 0x3B | RW | 0000 0000 | Highpass filter reset |
| FIFO_COUNT | 0x3C | R | 0000 0000 | Available FIFO samples for data set |
| FIFO_STATUS | 0x3D | R | 0000 0000 | FIFO status flags |
| FIFO_DATA | 0x3E | R | Data | FIFO data to be read in burst mode |
| PAR_RST | 0x3F | W and reset | 0000 0000 | Parity reset (reset on write) |

User Bank 0

User bank 0 is the register used to configure most of the features of the IC, with the exception of the interrupts, which are part of the user bank 1.

Table 5. User Bank 0

| NAME | REGISTER ADDRESS | TYPE | DEFAULT VALUE | COMMENT |
|------------|------------------|------|---------------|---------------------------------|
| POWER_CFG | 0x00 | RW | 0000 0111 | Power mode configuration |
| SENSE_CFG1 | 0x01 | RW | 0010 1000 | Sense configuration: LP and OIS |
| SENSE_CFG2 | 0x02 | RW | 0010 0011 | Sense configuration: ODR |
| SENSE_CFG3 | 0x03 | RW | 0000 0000 | Sense configuration: HP |
| RFU | 0x04 | R | 0000 0000 | |
| RFU | 0x05 | R | 0000 0000 | |
| RFU | 0x06 | R | 0000 0000 | |
| RFU | 0x07 | R | 0000 0000 | |
| RFU | 0x08 | R | 0000 0000 | |
| RFU | 0x09 | R | 0000 0000 | |
| RFU | 0x0A | R | 0000 0000 | |
| RFU | 0x0B | R | 0000 0000 | |
| RFU | 0x0C | R | 0000 0000 | |
| RFU | 0x0D | R | 0000 0000 | |
| RFU | 0x0E | R | 0000 0000 | |
| RFU | 0x0F | R | 0000 0000 | |
| RFU | 0x10 | R | 0000 0000 | |
| RFU | 0x11 | R | 0000 0000 | |
| RFU | 0x12 | R | 0000 0000 | |
| DR_CFG | 0x13 | RW | 0000 0001 | Data ready configuration |
| IO_CFG | 0x14 | RW | 0000 0000 | Input/output configuration |
| I2C_CFG | 0x15 | RW | 0000 0100 | I ² C configuration |
| ITF_OTP | 0x16 | RW | 0000 0000 | Interface and OTP configuration |
| FIFO_TH | 0x17 | RW | 0000 0000 | FIFO threshold configuration |
| FIFO_CFG | 0x18 | RW | 0000 0000 | FIFO mode configuration |
| RFU | 0x19 | R | 0000 0000 | |
| DSYNC_CFG | 0x1A | R | 0000 0000 | DATA_SYNC configuration |
| DSYNC_CNT | 0x1B | R | 0000 0000 | DATA_SYNC counter |
| RFU | 0x1C | R | 0000 0000 | |
| RFU | 0x1D | R | 0000 0000 | |
| RFU | 0x1E | R | 0000 0000 | |
| RFU | 0x1F | R | 0000 0000 | |

User Bank 1

User Bank 1 is primarily devoted to the configuration of the interrupts. It also contains the unique serial number.

Table 6. User Bank 1

| NAME | REGISTER ADDRESS | TYPE | DEFAULT VALUE | COMMENT |
|-------------|------------------|------|---------------|--------------------------------|
| INT_REF_X | 0x00 | RW | 0000 0000 | Interrupt reference for X axis |
| INT_REF_Z | 0x01 | RW | 0000 0000 | Interrupt reference for Z axis |
| RFU | 0x02 | | 0000 0000 | |
| INT_DEB_X | 0x03 | RW | 0000 0000 | Interrupt debounce, X |
| INT_DEB_Z | 0x04 | RW | 0000 0000 | Interrupt debounce, Z |
| RFU | 0x05 | | 0000 0000 | |
| INT_MSK_X | 0x06 | RW | 0000 0000 | Interrupt mask, X axis zones |
| INT_MSK_Z | 0x07 | RW | 0000 0000 | Interrupt mask, Z axis zones |
| RFU | 0x08 | | 0000 0000 | |
| INT_MASK_AO | 0x09 | RW | 0000 0000 | Interrupt masks, AND/OR |
| INT_CFG1 | 0x0A | RW | 0000 0000 | Interrupt configuration 1 |
| INT_CFG2 | 0x0B | RW | 0010 0100 | Interrupt configuration 2 |
| INT_TMO | 0x0C | RW | 0000 0000 | Interrupt timeout |
| INT_STS_UL | 0x0D | R | 0000 0000 | Interrupt sources, unlatched |
| INT1_STS | 0x0E | R | 0000 0000 | Interrupt 1 status, latched |
| INT2_STS | 0x0F | R | 0000 0000 | Interrupt 2 status, latched |
| INT1_MSK | 0x10 | RW | 1000 0000 | Interrupt 1 mask |
| INT2_MSK | 0x11 | RW | 0000 0010 | Interrupt 2 mask |
| RFU | 0x12 | R | 0000 0000 | |
| RFU | 0x13 | R | 0000 0000 | |
| RFU | 0x14 | R | 0000 0000 | |
| RFU | 0x15 | R | 0000 0000 | |
| RFU | 0x16 | R | 0000 0000 | |
| RFU | 0x17 | R | 0000 0000 | |
| RFU | 0x18 | R | 0000 0000 | |
| RFU | 0x19 | R | 0000 0000 | |
| SERIAL_0 | 0x1A | R | Variable | Unique serial number, byte 0 |
| SERIAL_1 | 0x1B | R | Variable | Unique serial number, byte 1 |
| SERIAL_2 | 0x1C | R | Variable | Unique serial number, byte 2 |
| SERIAL_3 | 0x1D | R | Variable | Unique serial number, byte 3 |
| SERIAL_4 | 0x1E | R | Variable | Unique serial number, byte 4 |
| SERIAL_5 | 0x1F | R | Variable | Unique serial number, byte 5 |

Orientation of Axes

The diagram below shows the orientation of the axis of sensitivity and the polarity of rotation. Note the pin 1 identifier (•) in [Figure 6](#).

Soldering Information

Visit www.maximintegrated.com/21000.related for soldering recommendations.

Application Notes

Bypass V_{DD} and V_{DDIO} to the ground plane with 0.1 μ F ceramic chip capacitors on each pin as close as possible to the IC to minimize parasitic inductance.

Depending on the specific application, add at least one bulk 1 μ F decoupling capacitor to V_{DD} and V_{DDIO} per PCB. For best performance, bring a V_{DD} power line in on the analog interface side of the IC and an V_{DDIO} power line from the digital interface side of the device.

Table 7. Bill of Materials for External Components

| COMPONENT | LABEL | SPECIFICATION | QUANTITY |
|------------------------------------|-------|---|----------|
| V_{DD}/V_{DDIO} bypass capacitor | C1 | Ceramic, X7R, 0.1 μ F \pm 10%, 4V | 1 |
| V_{DD}/V_{DDIO} bypass capacitor | C2 | Ceramic, X7R, 1 μ F \pm 10%, 4V | 1 |

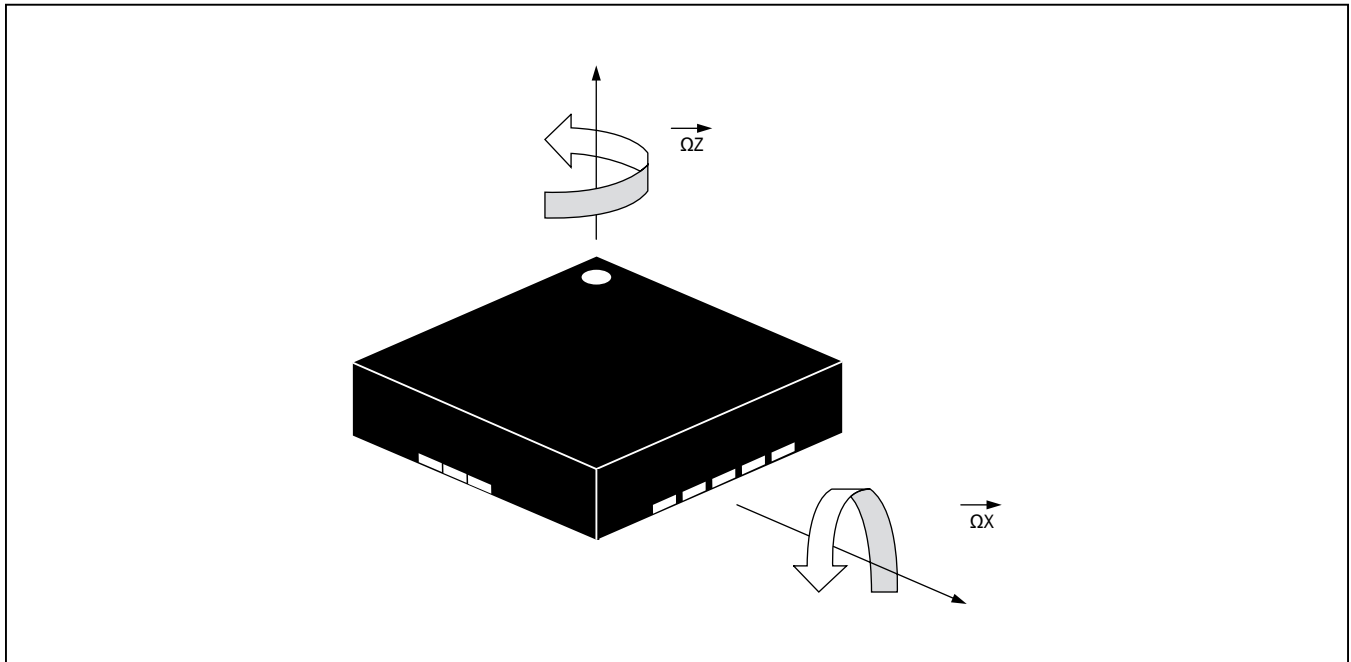
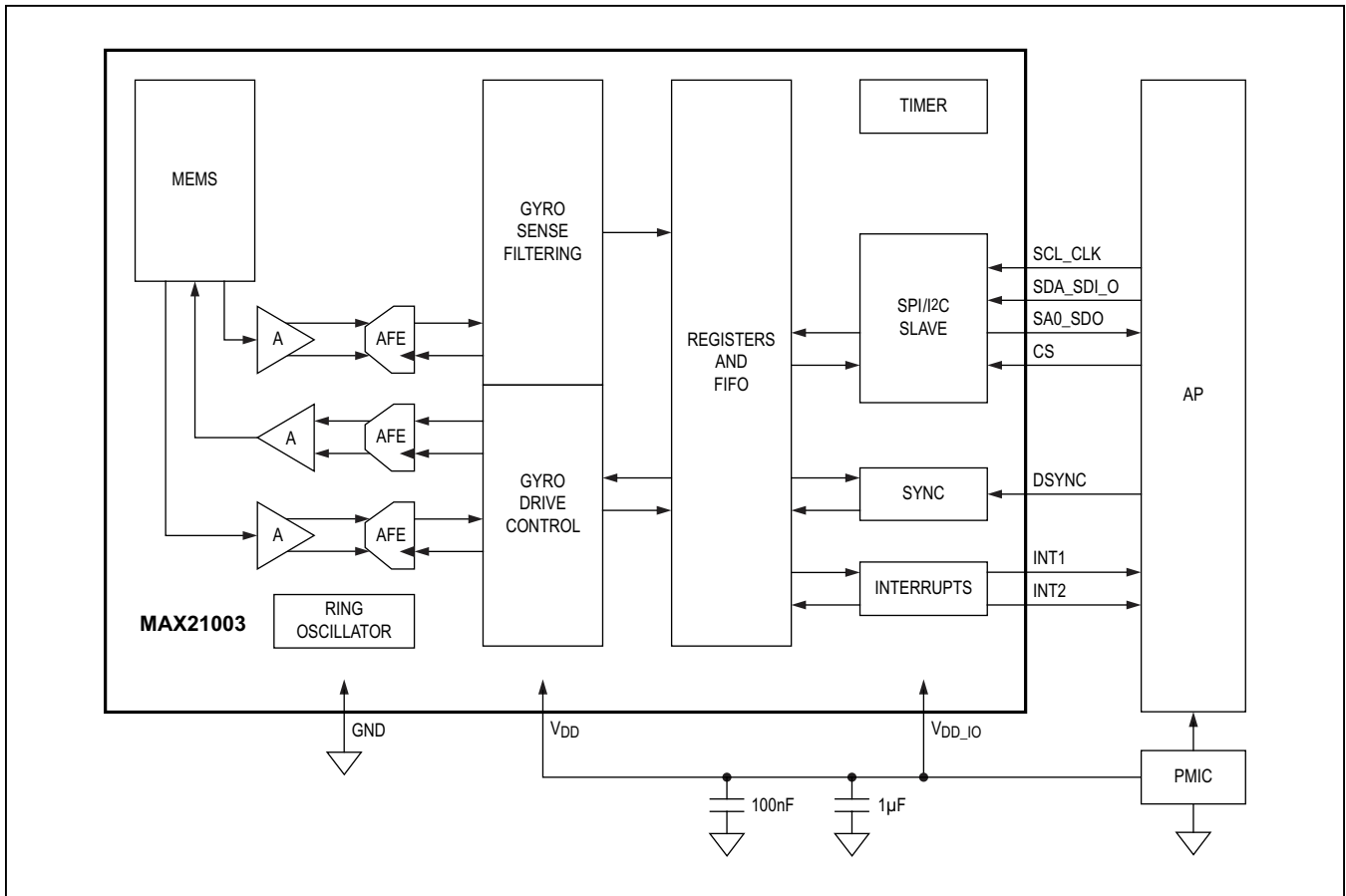


Figure 6. Orientation of Axis

Typical Application Circuit



Ordering Information

| PART | TEMP RANGE | PIN-PACKAGE |
|------------|----------------|-------------|
| MAX21003+ | -40°C to +85°C | 16 LGA |
| MAX21003+T | -40°C to +85°C | 16 LGA |

+Denotes lead(Pb)-free/RoHS-compliant package.

T = Tape and reel.

Package Information

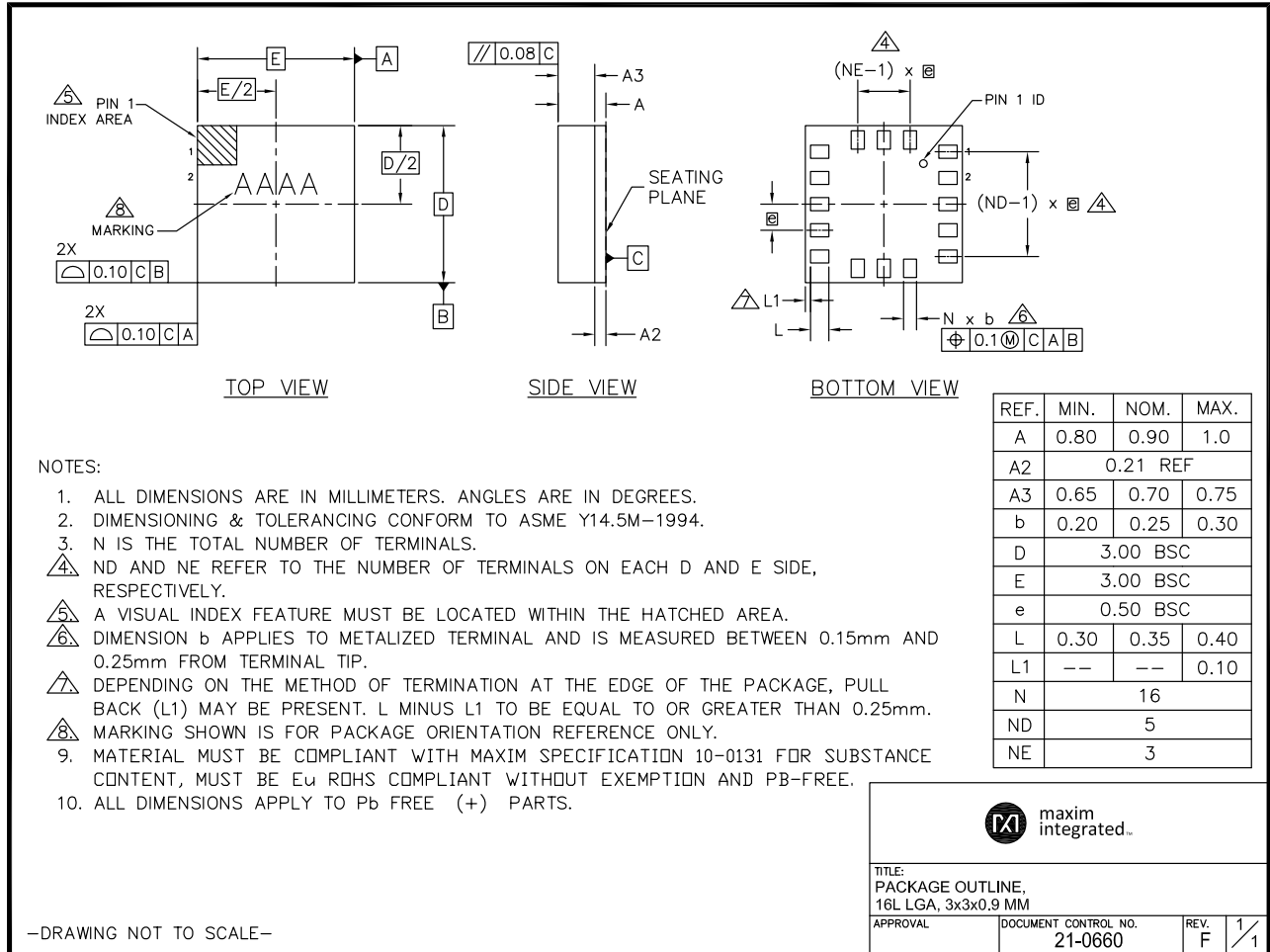
For the latest package outline information and land patterns (footprints), go to www.maximintegrated.com/packages. Note that a "+", "#", or "-" in the package code indicates RoHS status only. Package drawings may show a different suffix character, but the drawing pertains to the package regardless of RoHS status.

Chip Information

PROCESS: BICMOS

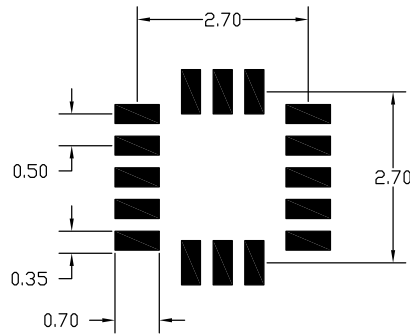
Package Information

For the latest package outline information and land patterns (footprints), go to www.maximintegrated.com/packages. Note that a "+", "#", or "-" in the package code indicates RoHS status only. Package drawings may show a different suffix character, but the drawing pertains to the package regardless of RoHS status.



Package Information (continued)

For the latest package outline information and land patterns (footprints), go to www.maximintegrated.com/packages. Note that a "+", "#", or "-" in the package code indicates RoHS status only. Package drawings may show a different suffix character, but the drawing pertains to the package regardless of RoHS status.




NOTES:

1. REFERENCE PKG. OUTLINE: 21-0660
2. LAND PATTERN COMPLIES TO: IPC7351A.
3. TOLERANCE: +/- 0.02 MM.
4. ALL DIMENSIONS APPLY TO BOTH LEADED (-) AND PbFREE (+) PKG. CODES.
5. ALL DIMENSIONS IN MM.

-DRAWING NOT TO SCALE-

This document (including dimensions, notes & specs) is a recommendation based on typical circuit board manufacturing parameters. Since land pattern design depend on many factors unknown to Maxim (eg. user's board manufacturing specs), user must determine suitability for use. This document is subject to change without notice. Contact technical support at <http://www.maxim-ic.com/support> for further questions.

| | | | |
|--|----------------------|------|-----|
|  maxim integrated. | | | |
| TITLE: | | | |
| PACKAGE LAND PATTERN, 16 LGA 3X3X1.0mm | | | |
| APPROVAL | DOCUMENT CONTROL NO. | REV. | 1/1 |
| | 90-0396 | B | |

Revision History

| REVISION NUMBER | REVISION DATE | DESCRIPTION | PAGES CHANGED |
|-----------------|---------------|-----------------|---------------|
| 0 | 6/13 | Initial release | — |

For pricing, delivery, and ordering information, please contact Maxim Direct at 1-888-629-4642, or visit Maxim Integrated's website at www.maximintegrated.com.

Maxim Integrated cannot assume responsibility for use of any circuitry other than circuitry entirely embodied in a Maxim Integrated product. No circuit patent licenses are implied. Maxim Integrated reserves the right to change the circuitry and specifications without notice at any time. The parametric values (min and max limits) shown in the Electrical Characteristics table are guaranteed. Other parametric values quoted in this data sheet are provided for guidance.