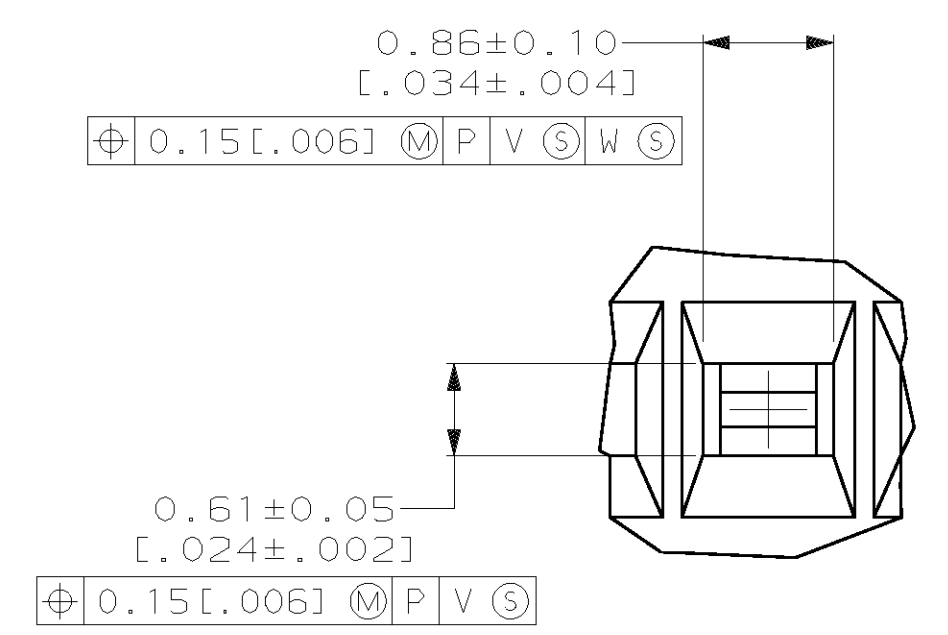
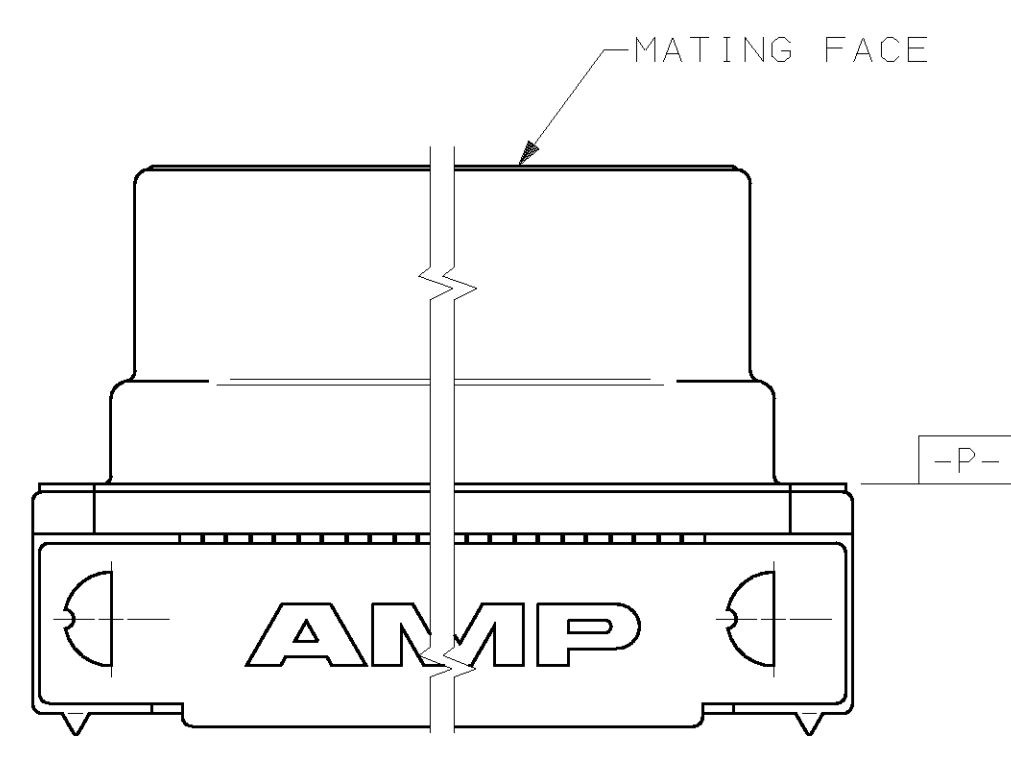
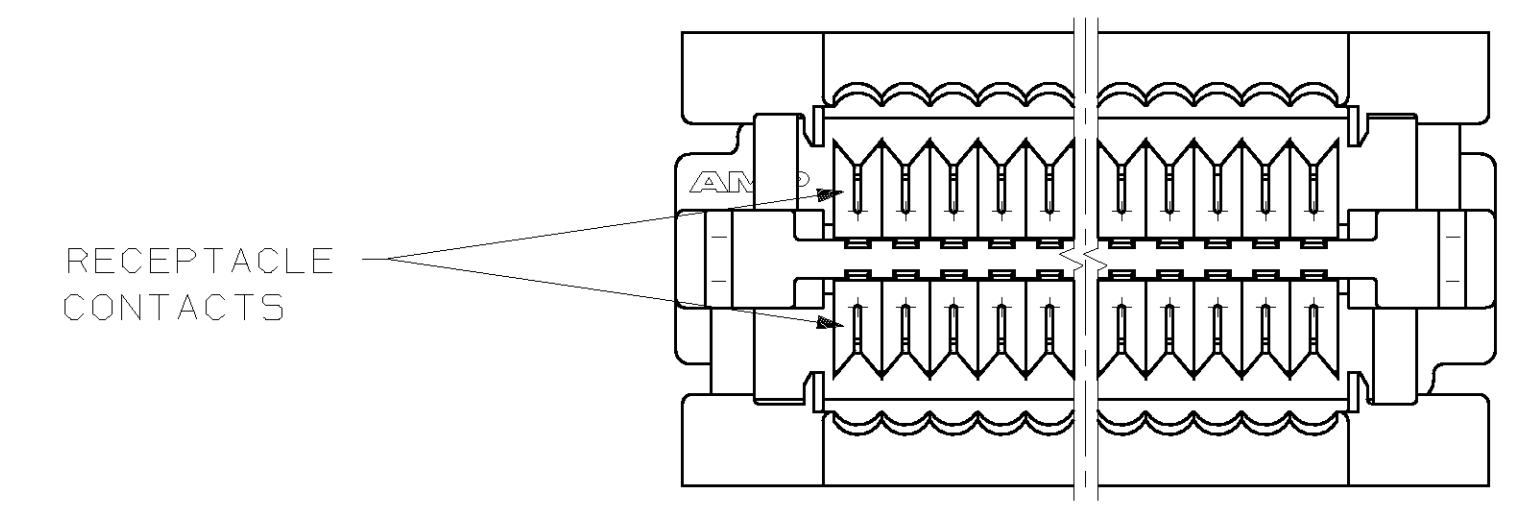
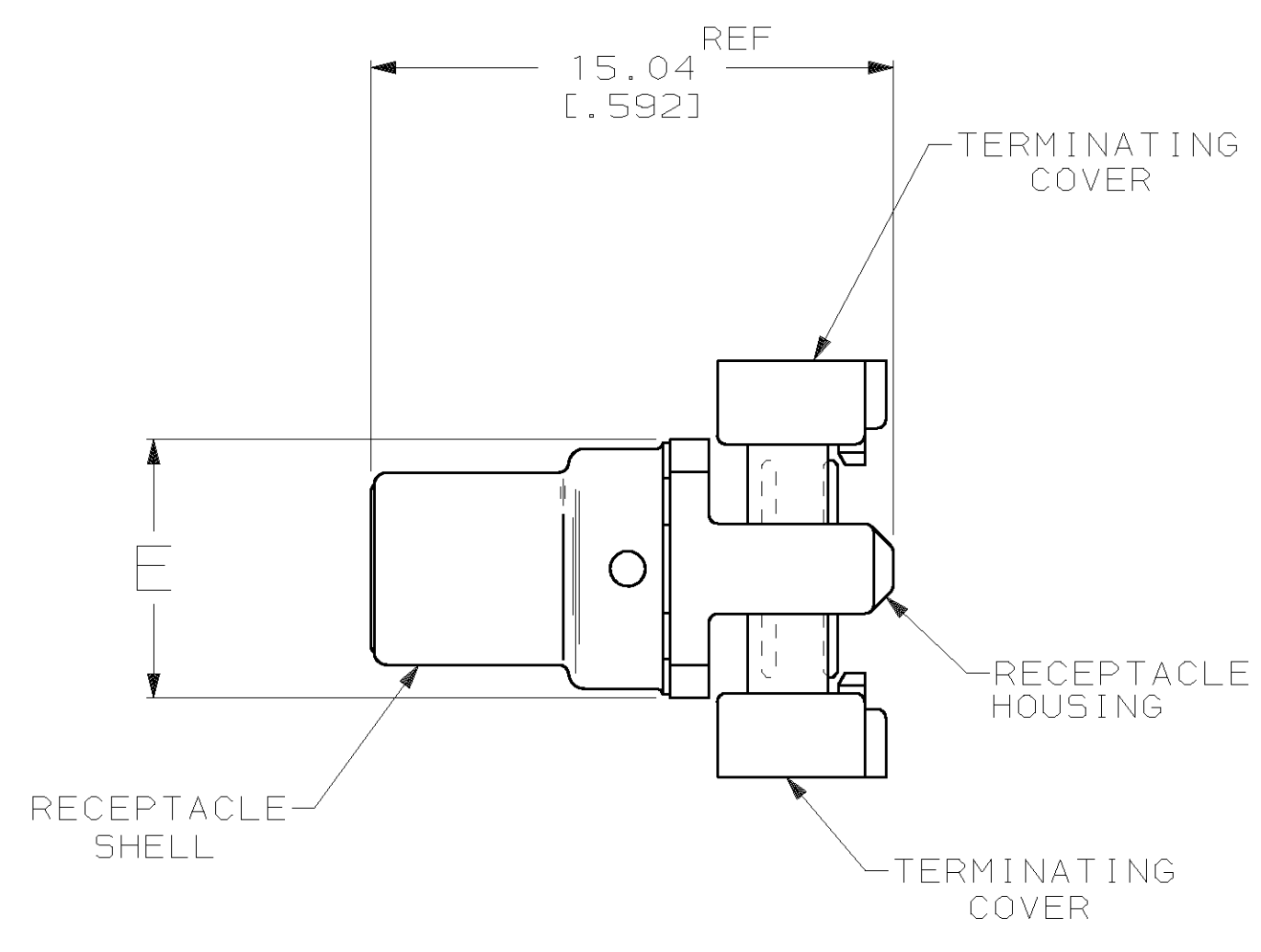
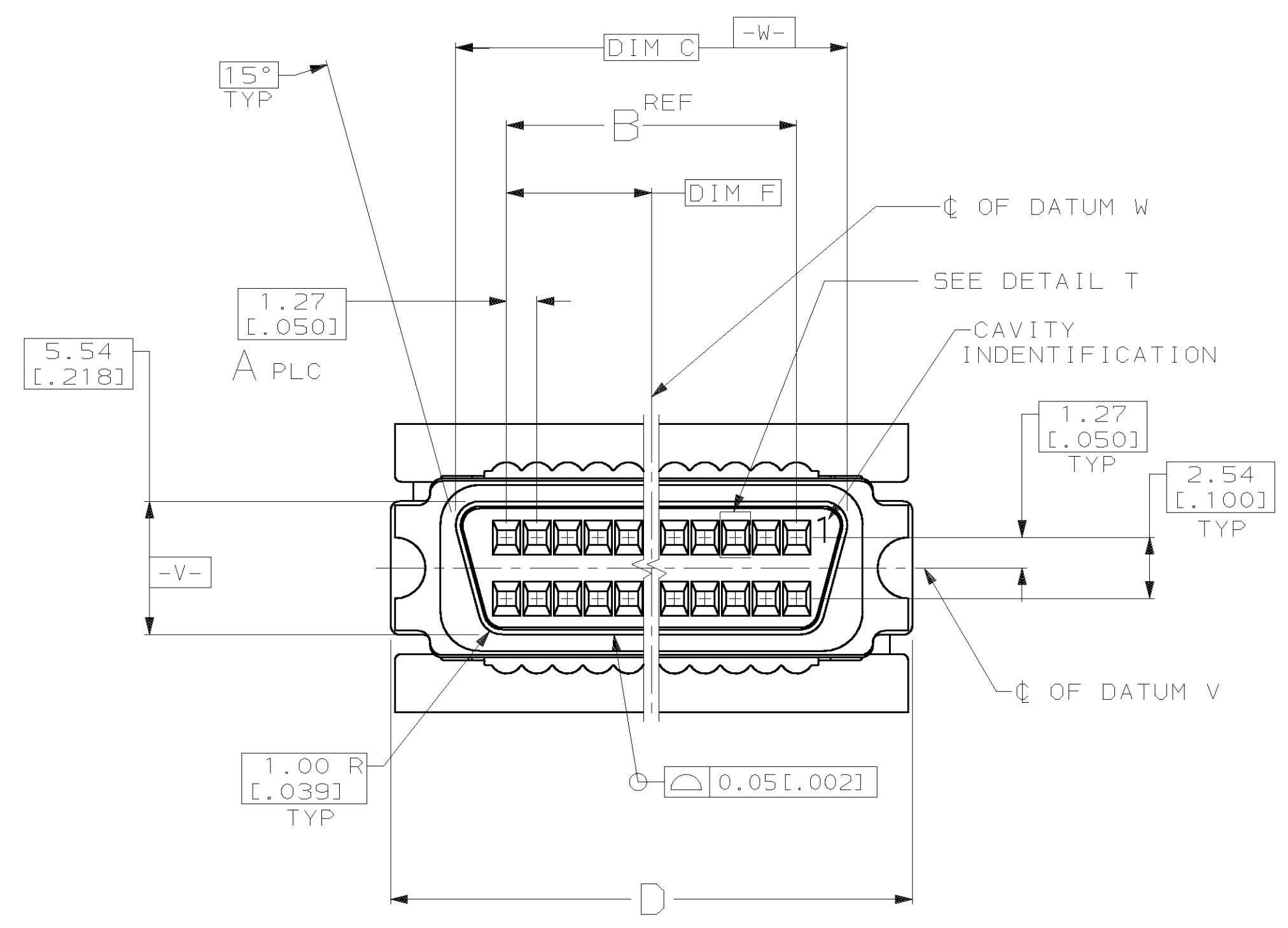


LOC		DIST		P		F		ZONE		LTR		REVISIONS			
GP	00											DESCRIPTION	DATE	APPD	
												H	REVISED PER EC 051C-0038-01	10JAN02	JG



DETAIL T
 SCALE 20:1
 TYPICAL

- ⚠ MATERIAL:
 RECEPTACLE CONTACTS- PHOSPHOR BRONZE
 RECEPTACLE SHELL- STEEL
 RECEPTACLE HOUSING AND TERMINATING COVERS- UL V-0 RATED THERMOPLASTIC, COLOR: BLACK.
- ⚠ PLATING:
 RECEPTACLE CONTACTS- 0.00076 [.000030] MINIMUM GOLD PLATE IN CONTACT AREA, 0.00127 [.000050] MINIMUM BRIGHT TIN-LEAD PLATE IN TERMINATION AREA, ALL OVER 0.00127 [.000050] MINIMUM NICKEL.
- ⚠ PLATING:
 RECEPTACLE SHELL- 0.00508 [.000200] MINIMUM BRIGHT NICKEL PLATE OVER 0.00127 [.000050] MINIMUM COPPER.
- 4. RECOMMENDED WIRE:
 28 AWG OR 30 AWG, SOLID OR 7 STRANDED, WITH A 0.74-0.91 [.029-.036] INSULATION DIA, OR AMP .050 CENTERLINE 28 AWG, STRANDED, PVC, FLAT GRAY RIBBON CABLE, WIRE MUST BE APPROVED BY AMP INCORPORATED.
- ⚠ OBSOLETE PART NUMBER.

31.12 [1.225]	9.47 [.373]	71.86 [2.829]	64.45 [2.616]	62.23 [2.450]	49	100	749210-8
20.96 [.825]	7.44 [.293]	51.54 [2.029]	46.13 [1.816]	41.91 [1.650]	33	68	749210-7
15.24 [.600]	7.44 [.293]	40.11 [1.579]	34.70 [1.366]	30.48 [1.200]	24	50	749210-5
12.06 [.475]	7.44 [.293]	33.76 [1.329]	28.35 [1.116]	24.13 [.950]	19	40	749210-4
7.62 [.300]	7.44 [.293]	24.87 [.979]	19.46 [.766]	15.24 [.600]	12	26	749210-2

		F	E	D	C	B	A	NO OF POSN	PART NO
DO NOT SCALE PRINT. UNLESS SPECIFIED DIMENSIONS IN mm [INCHES]		DR 05/30/89 M.MCCAFFREY		CHK 06/02/89 WAYNE DAVIS		AMP INCORPORATED Harrisburg, Pa. 17105			
TOLERANCES ON:		APPD 06/02/89 DAVID GRIESEMER		APPD 06/02/89 ROBERT WHITEMAN					
2 PLC DEC ± 0.13 [.005]		PRODUCT SPEC 108-1228		APPLICATION SPEC 114-40029		NAME RECEPTACLE CABLE CONNECTOR ASSEMBLY, AMPLIMITE®.050 Series		SIZE D	CAGE CODE 00779
3 PLC DEC ± -		FINISH 2/3		WEIGHT -		DRAWING NO 749210		SCALE 5:1	DRAWING NO 749210
ANGLES ± -						SHEET 1 OF 1			