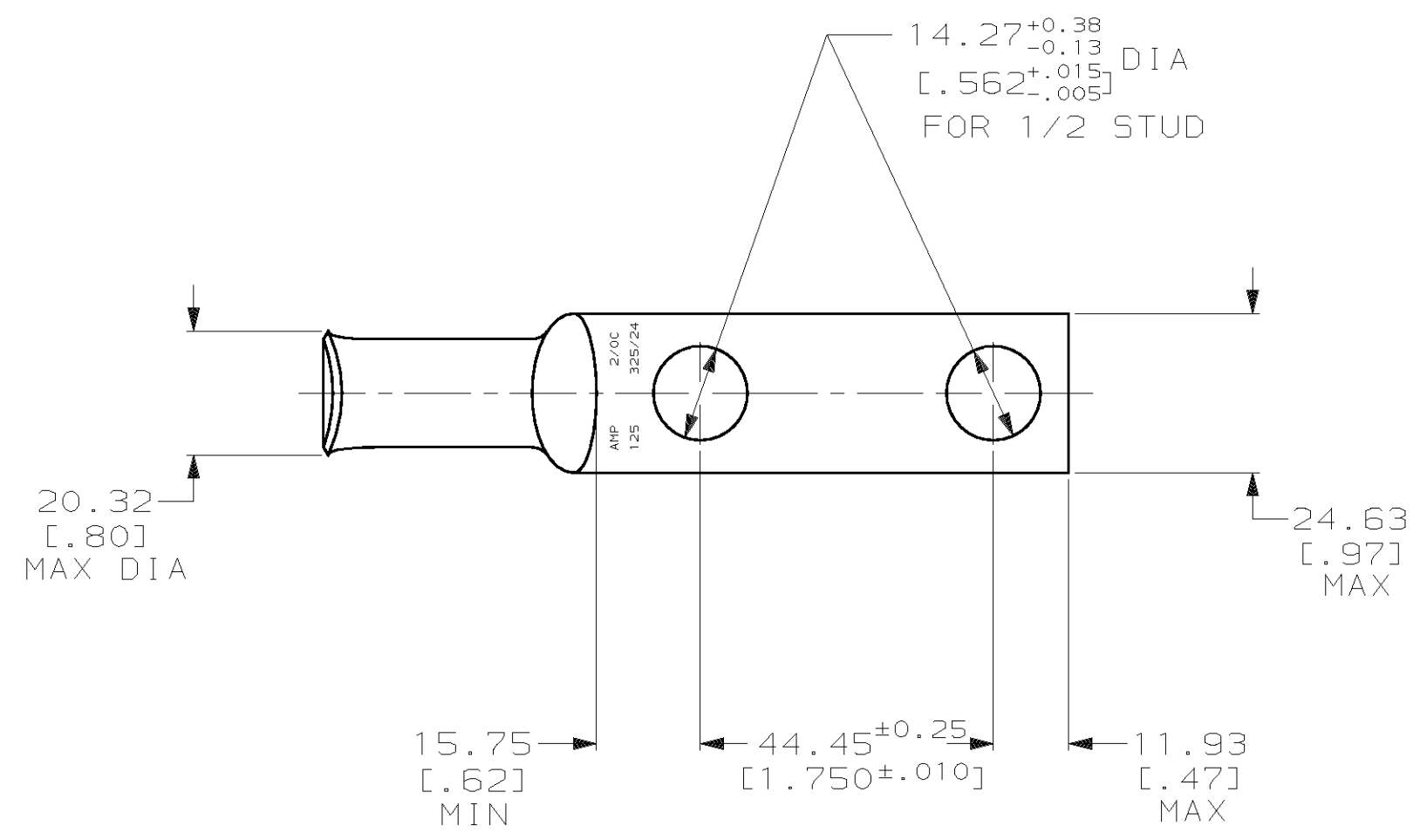
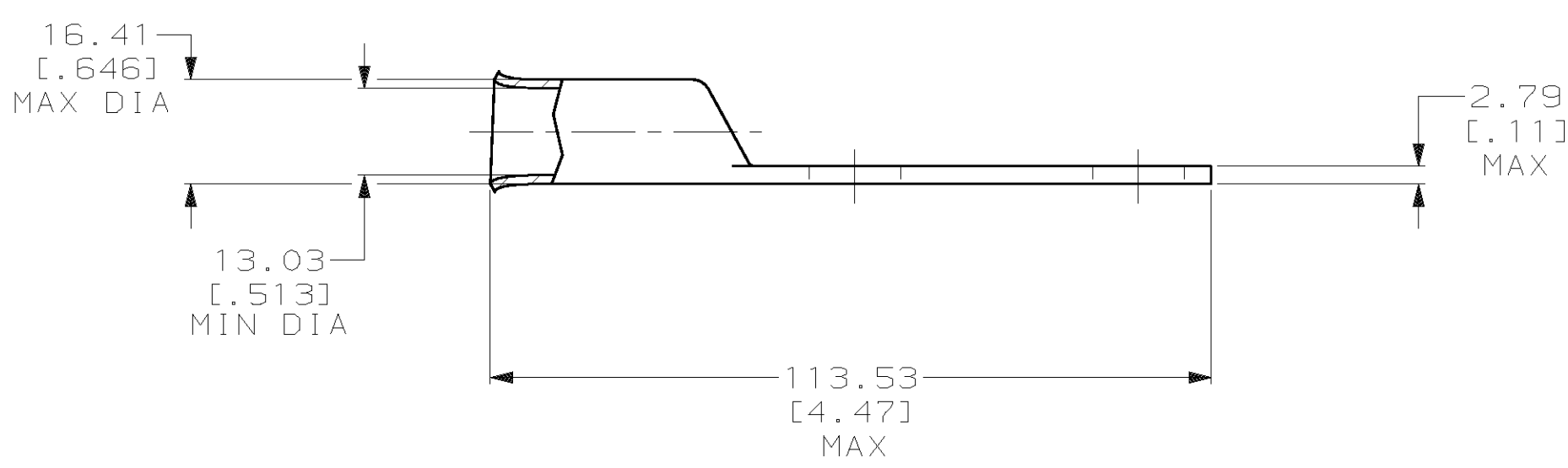


THIS DRAWING IS UNPUBLISHED. RELEASED FOR PUBLICATION, 19 .  
 © COPYRIGHT 19 BY AMP INCORPORATED. ALL INTERNATIONAL RIGHTS RESERVED.

LOC		DIST		REVISIONS				DATE	APPD
ZONE	LTR	DESCRIPTION	DATE	APPD					
G	86	P	F	E	REV PER 063A-0561-01	030CT02	JR/MS		



1 CIRCULAR MIL RANGE: 119,500-150,500 CM  
 2 TIN PL 0.00381 [.000150] MIN THK PER MIL-T-10727



DO NOT SCALE PRINT. UNLESS SPECIFIED DIMENSIONS IN mm [INCHES] TOLERANCES ON : 2 PLC DEC ± 0.51 [.020] 3 PLC DEC ± - ANGLES ± -		DR 02/28/90 DK SCHRUM	AMP INCORPORATED Harrisburg, Pa. 17105	
MATERIAL ANNEALED COPPER ASTM B-75	FINISH 2	CHK 18JAN95 MS FEHER	APPD 18JAN95 WJ VOCKROTH	NAME TERMINAL, AMPOWER, WIRE SIZE: 2/0 AWG
APPLICATION SPEC -	WEIGHT .110 LB	APPD 18JAN95 TL SHUTTER	PRODUCT SPEC -	SIZE C
SCALE 1:1		CAGE CODE 00779	DRAWING NO 53681	SHEET 1 OF 1

53681-2

PART NO