

PRODUCT SPECIFICATION SHEET

P2RSA-3777

FINISH:
BODIES &
HARDWARE: PASSIVATED PER QQ-P-35C, TYPE II

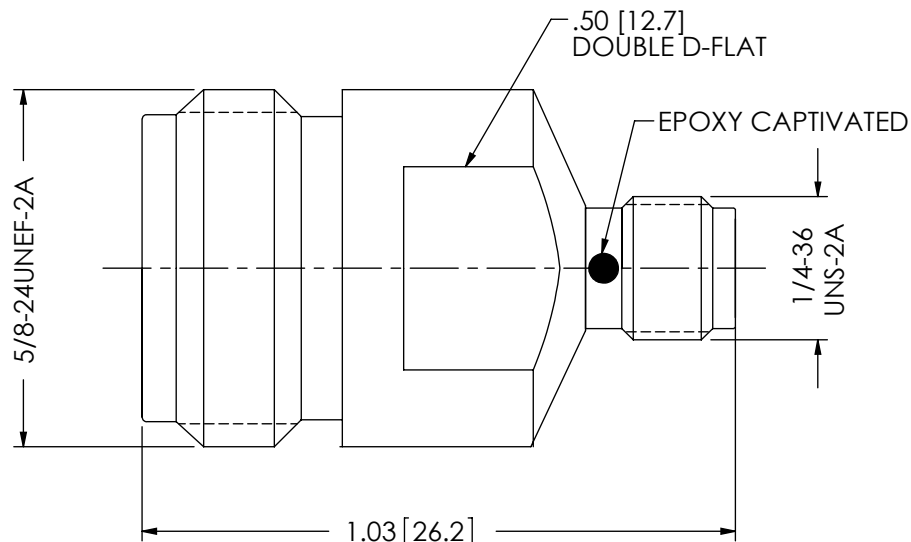
CONTACTS: GOLD OVER NICKEL

PERFORMANCE:
IMPEDANCE: 50 OHMS
VP: 70%
FREQ. RANGE: DC TO 18 GHz
DELAY: 69 ps 17.9 GHz SPAN
VSWR: 1.25:1 (MAX) FOR DC-18 GHz
INSERTION LOSS: <-.2dB @ 18 GHz
OPERATING TEMP RANGE: -65°C TO +125°C
CONNECTOR: MATES WITH MIL-STD-348

MATERIAL:
BODIES &
HARDWARE: STAINLESS STEEL PER AMS-5640, TYPE 303,
COND.A

CONTACTS: BERYLLIUM COPPER PER ASTM B196,
ALLOY UNS C17300

INSULATOR: PTFE PER ASTM-D1710



**RoHS
COMPLIANT**

PROPRIETARY

THE INFORMATION HEREIN IS CONFIDENTIAL AND PROPRIETARY. NO DISCLOSURE, REPRODUCTION, OR FURTHER DISSEMINATION MAY BE MADE WITHOUT THE EXPRESSED WRITTEN CONSENT OF RF INDUSTRIES.

DIMENSIONS ARE IN INCHES
TOLERANCES:

FRACTIONAL: ±1/64
ANGULAR: X° ±1'0"
X°X' ±15'

DECIMAL: .X ±.030
.XX ±.015
.XXX ±.005

INTERPRET DIMENSIONS
AND TOLERANCES PER
ASME Y14.5M - 1994

UNLESS OTHERWISE SPECIFIED

- 1) ALL DIMENSIONS ARE AFTER PLATING & HEAT TREATING.
- 2) BREAK CORNERS & EDGES .005 RADIUS MAX.
- 3) CHAMFER FIRST & LAST THREADS.
- 4) SURFACE ROUGHNESS 63 Y14.5M MIL-STD-10.
- 5) DIAMETERS ON COMMON CENTERS TO BE CONCENTRIC WITHIN T.I.R.
- 6) REMOVE ALL BURRS

DRAWN BY: C. ZUNIGA 05/05/10

ENG APPROVAL: D. McREYNOLDS

MFG APPROVAL: --

QA APPROVAL: --

RFP² RF PRECISION PRODUCTS
A DIVISION OF RF INDUSTRIES
7610 MIRAMAR ROAD, SAN DIEGO, CA 92126-4202
(858) 549-6340 - FAX (858) 549-6345 - RFI@RFINDUSTRIES.COM

TITLE: N JACK TO SMA JACK
ADAPTER

SIZE CODE DWG. NO.

A 000000

SHEET 1 OF 1

P2RSA-3777

REVISION HISTORY

REV	DESCRIPTION	DATE	APPROVED
-	ENGINEERING RELEASE	09/23/10	JDMc