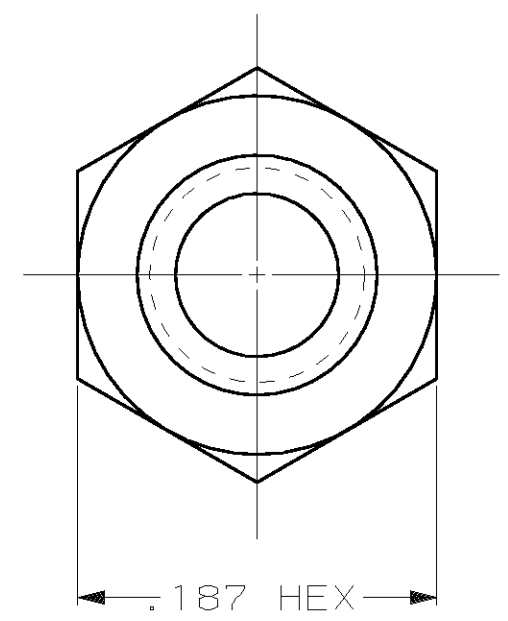
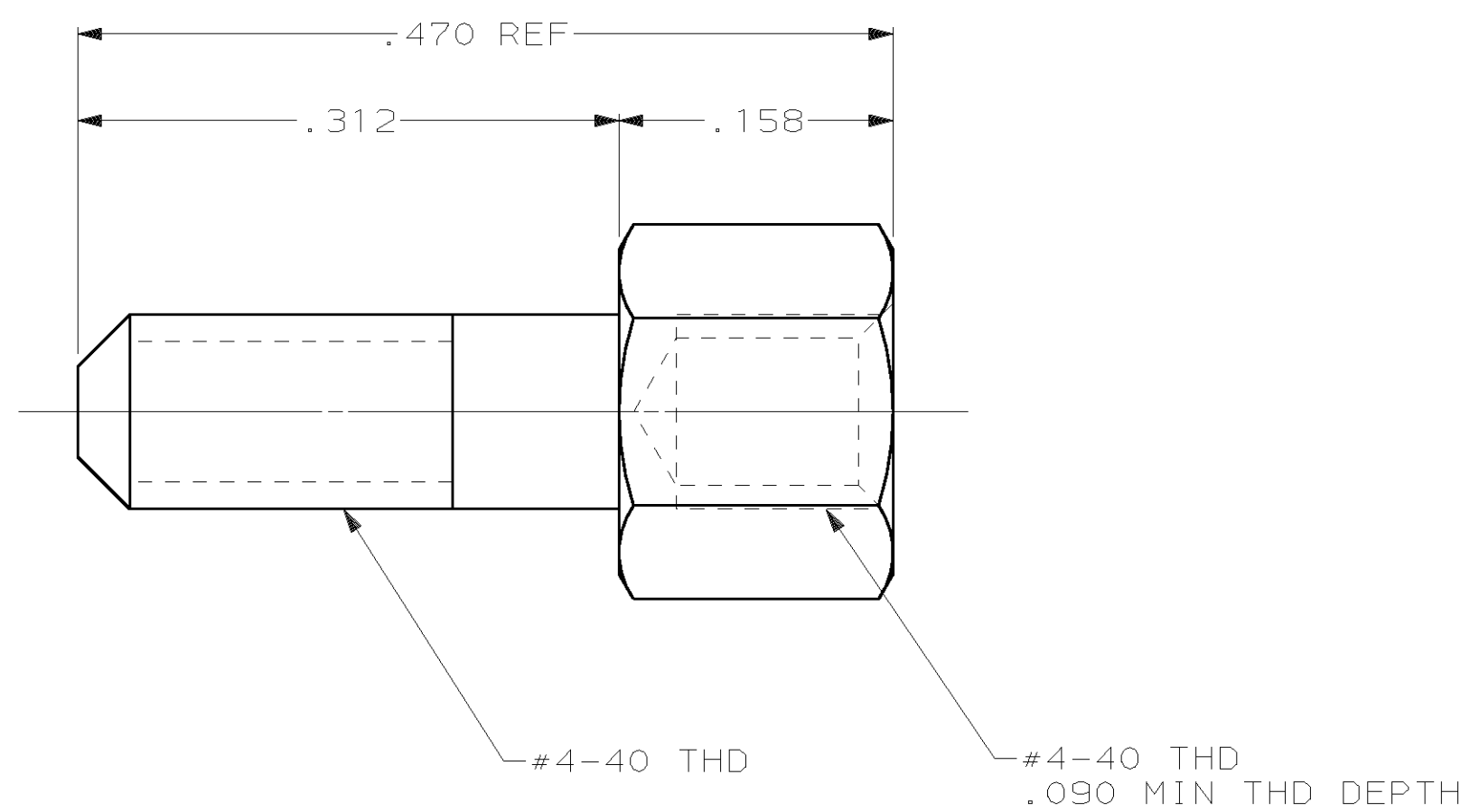


THIS DRAWING IS UNPUBLISHED. RELEASED FOR PUBLICATION, 19 .
 © COPYRIGHT 19 BY AMP INCORPORATED. ALL INTERNATIONAL RIGHTS RESERVED.

LOC	DIST	P	F	ZONE	LTR	DESCRIPTION	DATE	APPD
GP	00					B REVISED PER EC 0513-0395-02	28MAR03	JG

- 1 MATERIAL: COLD ROLLED STEEL PER ASTM A108.
- 2 FINISH: ZINC PLATED PER ASTM B633, TYPE II, CLASS SCI, YELLOW CHROMATE.
- 3 MATERIAL: BRASS.
- 4 FINISH: NICKEL PLATED, .050μ MINIMUM.



OBSOLETE	4	3	748270-3
	2	1	748270-2
	FINISH	MATERIAL	PART NO

DO NOT SCALE PRINT. UNLESS SPECIFIED DIMENSIONS IN INCHES TOLERANCES ON : 2 PLC DEC ± - 3 PLC DEC ± .005 ANGLES ± -	DR -	AMP INCORPORATED Harrisburg, Pa. 17105	
	CHK -		
MATERIAL SEE TABLE	APPD -	NAME SCREWLOCK, FEMALE, SHORT HEAD, .090 PANEL, AMPLIMITE®	
	APPD -		
FINISH SEE TABLE	PRODUCT SPEC	SIZE	FSCM NO
	APPLICATION SPEC	C	00779
	WEIGHT -	SCALE	DRAWING NO
		10:1	748270
			SHEET 1 OF 1