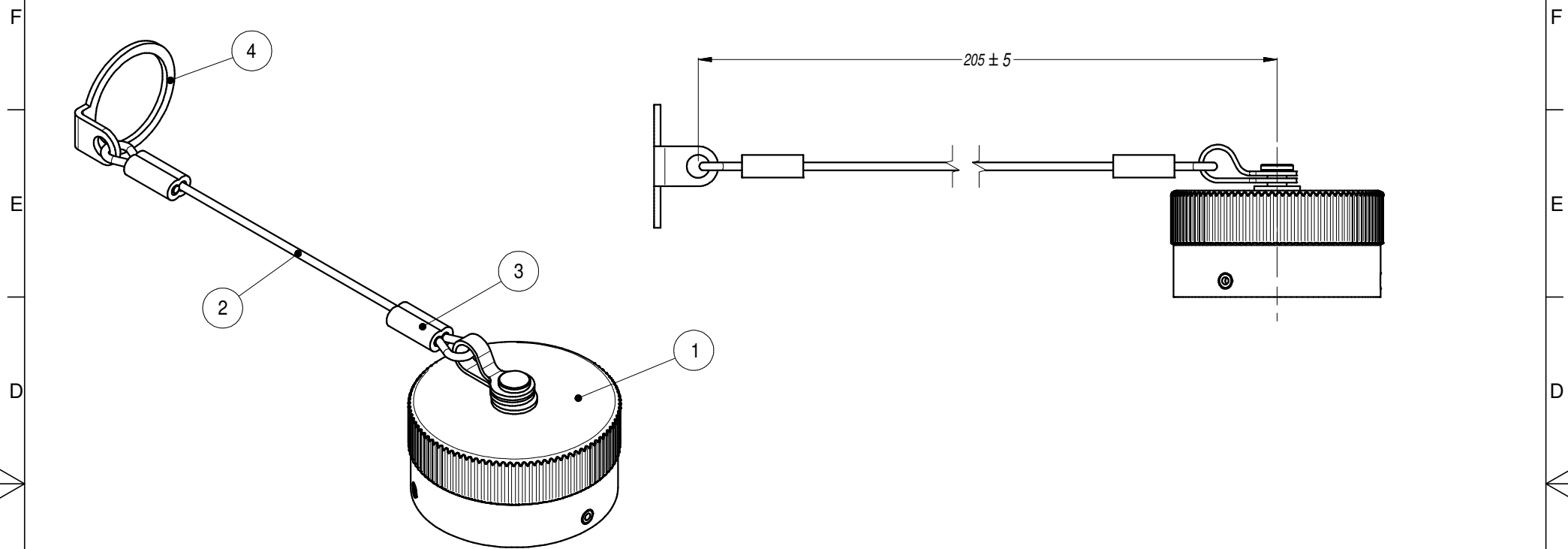


6 5 4 3 2 1



P/N	TO SUIT CONNECTOR
MP-25043-13L	MP-4101-13P
MP-25043-19L	MP-4103-19P
MP-25043-25L	MP-4101-25P
MP-25043-37L	MP-4101-37P
MP-25043-54L	MP-4101-54P
MP-25043-85L	MP-4101-85P
MP-25043-150L	MP-4101-150P

4	PG RING	1
3	CRIMP SWAGE	2
2	LANYARD PVC COATED OD 1.5mm	1
1	DUST CAP FOR PLUG MP-4101	1
ITEM	DESCRIPTION	QTY
Parts List		

UNLESS OTHERWISE SPECIFIED TOLERANCE TO BE:		THIS DOCUMENT IS THE PROPERTY OF AMPHENOL AUSTRALIA PTY. LTD. NO PART THEREOF MAY BE REPRODUCED AND USED WITHOUT THE PRIOR WRITTEN CONSENT OF THE OWNER			
LINEAR		ANGULAR		CAD FILE: 50250021432110	DRN: A.O
X ± N/A	X ± 1	X' ± 1	X' ± 30'	DATE: 09/04/08	DATE: 09/04/08
X.X ± .2	X.X' ± 30'	X.XX ± .15'	X.XX' ± 15'	APP'D: P.M	DATE: 09/04/08
BREAK ALL SHARP EDGES AND REMOVE ALL BURRS		MATL: -----	CKD: B.Z	SCALE: 1:1	
DO NOT SCALE		FINISH: -----	APP'D: P.M	PART No: MP-25043-** * L	SIZE: A4
DIMENSIONS IN MILLIMETRES		THIRD ANGLE PROJECTION		PART No: MP-25043-** * L	

0	FIRST ISSUE	A.O	09/04/08	8740
REV	DESCRIPTION	BY	DATE	CHG/No
REVISION HISTORY				
TITLE: DUST CAP FOR MP-4101		Amphenol		
		Amphenol Australia Pty.Ltd, 2 Fireways Blvd, Keysborough, Vic3173		
		DRAWING NO. 50250021-432-1		SHEET 1/1

6 5 4 3 2 1