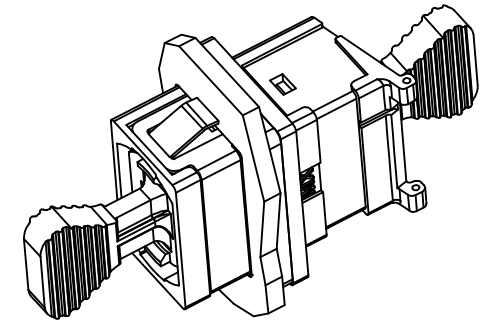
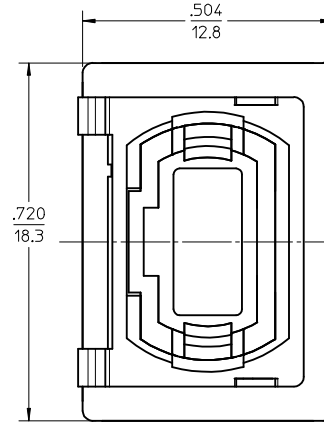
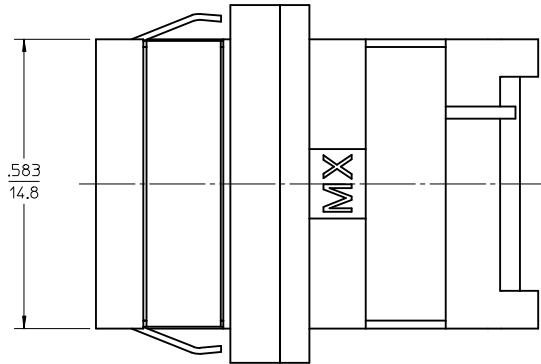
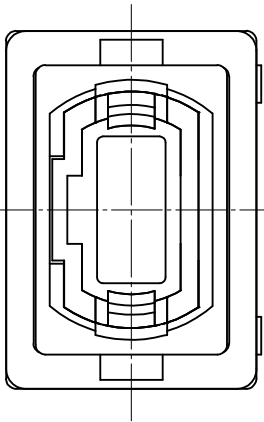
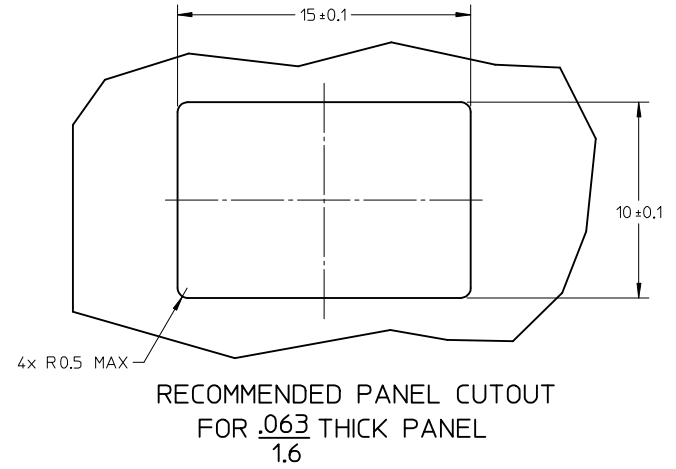
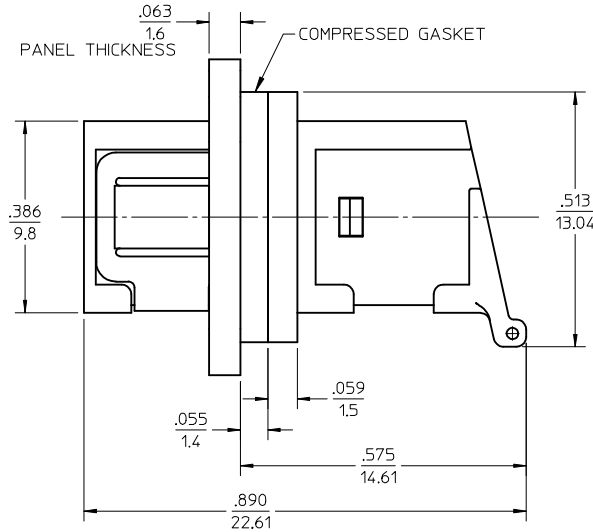


- NOTES:
1. CONDUCTIVE FABRIC OVER FOAM GASKET (SHOWN COMPRESSED) IS SUPPLIED WITH THE PART.
  2. OUTER SHELL OF PART IS DIECAST.
  3. DUST CAP SHOWN ONLY IN ISOMETRIC VIEW.
  4. ADAPTERS TO BE PACKAGED IN TRAY.

<b>ENTER DESCRIPTION</b> EC NO: MF2015-0263 DRWN: IGUMIN 2014/11/03 CHKD: IGUMIN APPR: IGUMIN 2014/11/14 B	QUALITY SYMBOLS ▽=0 ▽=0	GENERAL TOLERANCES (UNLESS SPECIFIED) mm INCH 4 PLACES ± --- ± --- 3 PLACES ± --- ± --- 2 PLACES ± 0.10 ± --- 1 PLACE ± 0.10 ± --- ANGULAR ± 1/2°	DIMENSION STYLE IN/MM DRAWN BY DATE MAGHAYERE 2014/01/28 CHECKED BY DATE	SCALE 4:1 DESIGN UNITS INCH	THIRD ANGLE PROJECTION
	DRAFT WHERE APPLICABLE MUST REMAIN WITHIN DIMENSIONS		APPROVED BY DATE IGUMIN 2014/02/05	TITLE MPO EMI ADAPTER, SMALL FLANGE NO SHUTTER	
	MATERIAL NO. 1061141204		DOCUMENT NO. SD-106114-1204		SHEET NO. 1 OF 1
	THIS DRAWING CONTAINS INFORMATION THAT IS PROPRIETARY TO MOLEX INCORPORATED AND SHOULD NOT BE USED WITHOUT WRITTEN PERMISSION				



- NOTES:
1. CONDUCTIVE FABRIC OVER FOAM GASKET (SHOWN COMPRESSED) IS SUPPLIED WITH THE PART.
  2. OUTER SHELL OF PART IS DIECAST.
  3. DUST CAP SHOWN ONLY IN ISOMETRIC VIEW.
  4. ADAPTERS TO BE PACKAGED IN TRAY.

<b>ENTER DESCRIPTION</b> EC NO: MF2015-0263 DRWN: IGUMIN 2014/11/03 CHKD: IGUMIN APPR: IGUMIN 2014/11/14 B	QUALITY SYMBOLS ▽=0 ▽=0	GENERAL TOLERANCES (UNLESS SPECIFIED) mm INCH 4 PLACES ± --- ± --- 3 PLACES ± --- ± --- 2 PLACES ± 0.10 ± --- 1 PLACE ± 0.10 ± --- ANGULAR ± 1/2°	DIMENSION STYLE IN/MM DRAWN BY DATE MAGHAYERE 2014/01/28 CHECKED BY DATE	SCALE 4:1 DESIGN UNITS INCH	THIRD ANGLE PROJECTION
	DRAFT WHERE APPLICABLE MUST REMAIN WITHIN DIMENSIONS		APPROVED BY DATE IGUMIN 2014/02/05	TITLE MPO EMI ADAPTER, SMALL FLANGE NO SHUTTER	
	MATERIAL NO. 1061141204		DOCUMENT NO. SD-106114-1204		SHEET NO. 1 OF 1
	THIS DRAWING CONTAINS INFORMATION THAT IS PROPRIETARY TO MOLEX INCORPORATED AND SHOULD NOT BE USED WITHOUT WRITTEN PERMISSION				