



A Tallysman Accutenna® TW8829 GPS L1/L2 + GLONASS G1/G2

The TW8829 employs Tallysman's unique *Accutenna* technology providing dual band GPS L1/L2, GLONASS G1/G2, Galileo E1, and BeiDou B1 coverage and is especially designed for precision dual frequency positioning where light weight is important.

The TW8829 features a precision tuned, circular dual feed, stacked patch element. The signals from the two orthogonal feeds are combined in a hybrid combiner, amplified in a wide-band LNA, then band-split for narrow filtering in each band and further amplified prior to recombination at the output.

The TW8829 offers excellent axial ratio and a tightly grouped phase center variation.

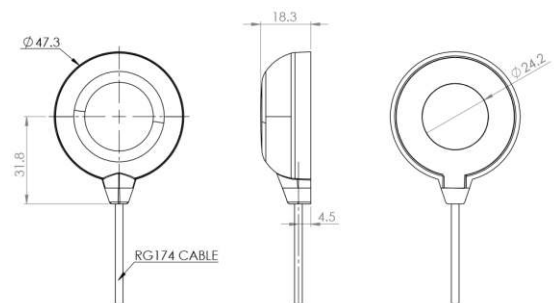
The TW8829 covers GPS L2 (1227.6MHz), GLONASS G2 (1248MHz centre), GPS L1/WAAS/EGNOS/MSAS (1575.42MHz), GLONASS G1 (1602MHz, centre), Galileo (1575.42MHz centre), and BeiDou B1 (1575.42MHz centre)

The TW8829 has a pre-filter which increases the antenna's immunity to high amplitude interfering signals, such as LTE and other cellular signals.



Applications

- Airborne Unmanned Autonomous Vehicles
- Precision GPS position
- Dual Frequency RTK receivers
- Mission Critical GPS Timing
- Military & Security
- Network Timing and Synchronization



(all dimensions in mm)

Features

- Very low Noise Preamp, 2.5dB
- Axial ratio: <2dB typ.
- Tight Phase Center Variation
- LNA Gain 26 dB typ.
- Low current: 12 mA typ.
- ESD circuit protection: 15 KV
- Invariant performance from: +2.5 to 16VDC

Benefits

- Lightweight (52g excluding cable and connector)
- Ideal for L1/L2 RTK surveying systems
- Great multipath rejection
- Increased system accuracy
- Excellent signal to noise ratio
- IP67, REACH, and RoHS compliant

