

5

4

3

2

1

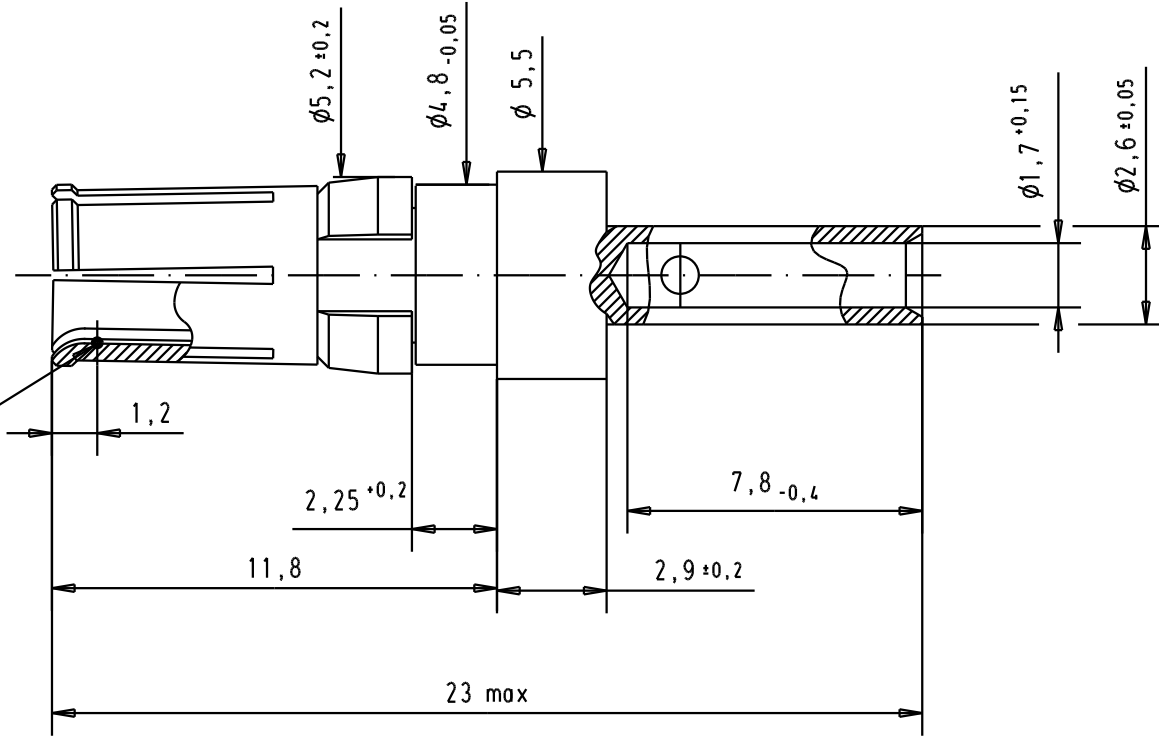
D

C



B

A

Point of plating thickness measurement



Crimping tool: 09 99 000 0509  
 positioner: 09 99 000 0504

Part number	Plating	Mod.	Del.	Name	Det.	Name	 Female High power contact, 10A, straight cable termination, crimp for AWG 16-20		Maßstab/ Scale  Blatt/ Page 1 / 1
09691827420	Mating area Termination area	0,2 $\mu$ m Au 0,2 $\mu$ m Au			Detail.	JH	All Dim. in mm Orig. Size DIN A 4		5:1
				Insp.		Stand.			
09691825420	Mating area Termination area	0,8 $\mu$ m Au 0,2 $\mu$ m Au	32809 31887	21/04/05 14/04/04	AL JH	HARTING EURL F-95972 Paris 		TB 09 69 182 x420 Sub.	