



- 10/100 Base-T for Ethernet Applications
- Impedance: 100OHMS
- RJ45 jack cavity conforms to FCC rules and regulations Part 68, SUB Part F
- Industrial Temp: -40°C to +85°C
- Contact Factory for Standard Temp.
- Available in other Circuit Designs
- Optional Gold Plating Thickness
- Other LED Patterns available

Electrical Specifications @ 25°C

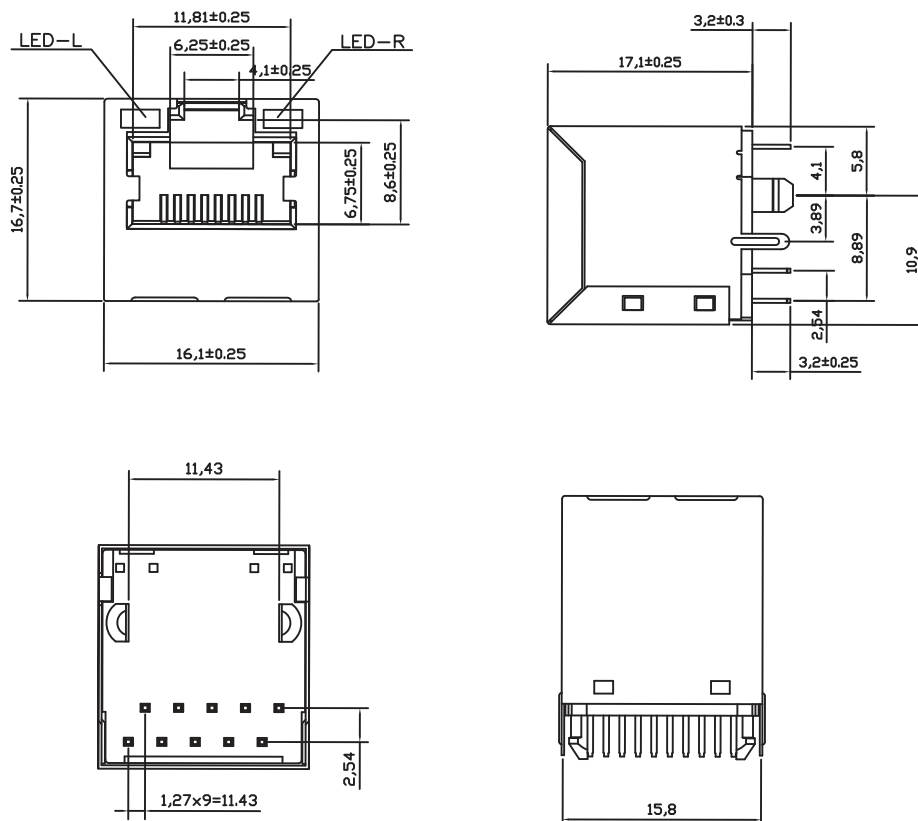
Part Number	OCL(uH Min) @ 100kHz, 0.1V With 8mA DC Bias	Turns Ratio chip: cable (±2%)	Cross Talk (dB Min)				Hi-Pot 1.0 mA (V)	
			0.5-10MHz	30MHz	50MHz	100MHz	Without Capacitance	With Capacitance
ARV11-4041I	350	1CT:1CT	-50	-40	-35	-30	1500 AC	2250 DC

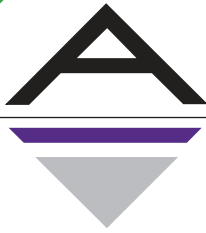
Electrical Specifications @ 25°C

Part Number	Insertion Loss (dB Max)		Return Loss (dB Min) @ Load 100 Ohm					CMR (dB Min)
	1-100MHz	100-125MHz(10/100/1000)	1-30MHz	30-50MHz	60MHz	60-80MHz	80-100MHz(10/100/1000)	
ARV11-4041I	-1.0	-12	-18	-16	-14	-12	-10	-30

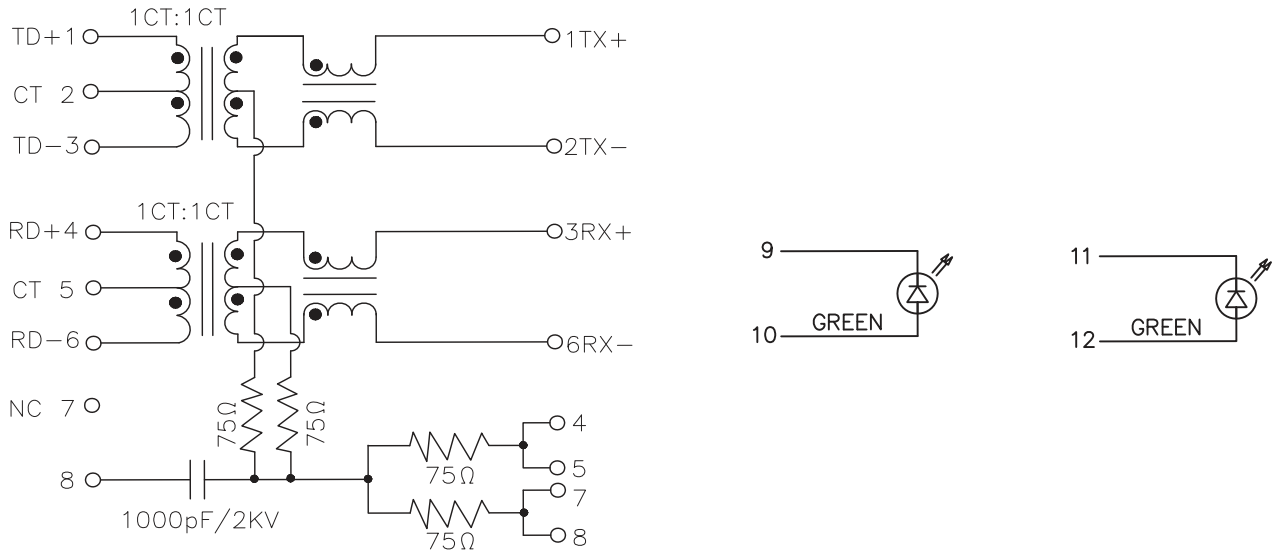
All specifications subject to change without notice.

MECHANICAL

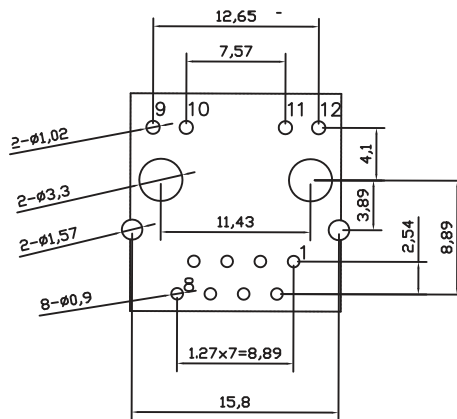




SCHEMATICS



PCB LAYOUT



PCB Layout

NOTES

1. Shield- 0.25mm THICKNESS BRASS C2680 H.
PLATING NICKEL 20u' Min
2. Housing- Standard Material: FR52, Glass filled
Polyester UL94V-0 Standard Color Black.
3. RJ Terminal- Plastic: FR52, UL94V-0, Standard
Color Black.
Pin: 0.35mm Thickness Phos-Bronze C5210 EH.
Plating: Nickel 40u"-60u" for all and Sn 100%, and
50u" Gold Plating.
4. Input Terminal: Plastic: PA66, Glass Filled, UL94V-0,
Standard Color Black.
Pin: 0.35mm Thickness Phos-Bronze SUS430.
Plating: Nickel 40u"-60u" for all and Sn 100%.