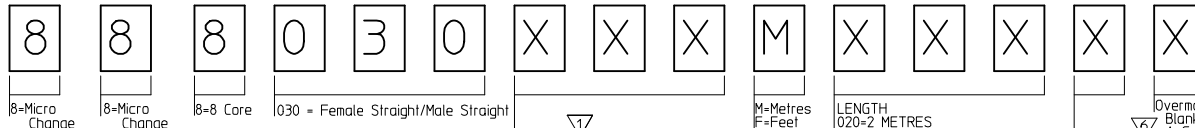


**PART No MATRIX**



**CABLE:**  
 B41 = 0,25mm<sup>2</sup>, TPU black UNSH DCS  
 E02 = 0,25mm<sup>2</sup>, PVC black  
 H08 = 0,25mm<sup>2</sup>, PUR black LSOH  
 P02 = 0,25mm<sup>2</sup>, PUR/PVC black  
 P19 = 0,25mm<sup>2</sup>, PUR black LSOH braid  
 S19 = 0,25mm<sup>2</sup>, PVC yellow braid

LENGTH  
 020=2 METRES  
 050=5 METRES  
 200=20 METRES

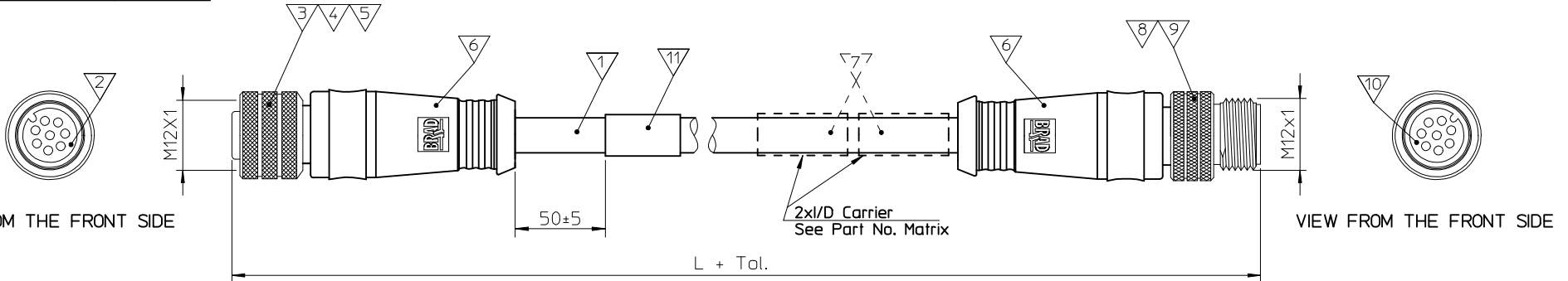
**OPTIONS**

Overmould color:  
 Blank=Black PUR (Standard)  
 A=Grey  
 Y=Yellow  
 Blank=Yellow PUR (Standard, but with cable S19)

Coupling Nut Material:  
 Blank=Standard Brass  
 1=Hex nut/Stainless Steel  
 5=Delrin  
 7=Teflon Coated  
 H=2 pieces of IVD Carrier

**Table of length tolerances**

Over	Up to and including	Tolerancja (+)
0	305	+19
305	915	+45
915	1830	+56
1830	3660	+89
3660	7320	+165
7320	14640	+317
14640	30500	+610
30500	>	+2% of length



**Bill of Materials**

ITEM	QTY.	DESCRIPTION	MATERIAL	FINISH
11	1	LABEL	-	YELLOW
10	1	INSERT M12 8P MALE	SEE MATRIX	SEE MATRIX
9	8	CONTACT MALE	SEE MATRIX	SEE MATRIX
8	1	COUPLING NUT MALE M12	SEE MATRIX	SEE MATRIX
7	-	ID CARRIER	SEE MATRIX	SEE MATRIX
6	-	MOLDING MATERIAL	SEE MATRIX	SEE MATRIX
5	1	O-RING	FPM	RED
4	8	CONTACT FEMALE	SEE MATRIX	SEE MATRIX
3	1	COUPLING NUT FEMALE M12	SEE MATRIX	SEE MATRIX
2	1	INSERT M12 8P FEMALE	SEE MATRIX	SEE MATRIX
1	-	CABLE	SEE MATRIX	SEE MATRIX

<b>UPDATED DRAWING</b> IEC NO: IFG2016-0342 DRW:NAKONDRAC IUK 2015/09/04 CH:KD:MMAGAT 2015/09/04 APPR:MIWASIECZKO 2015/09/16	<b>QUALITY SYMBOLS</b> ▽=0 ◻=0	<b>GENERAL TOLERANCES (UNLESS SPECIFIED)</b>		<b>DIMENSION STYLE</b> MM ONLY	<b>SCALE</b> ---	<b>DESIGN UNITS</b> METRIC	THIRD ANGLE PROJECTION
		4 PLACES ± --- ± --- 3 PLACES ± --- ± --- 2 PLACES ± --- ± --- 1 PLACE ± --- ± --- 0 PLACE ± --- ± ---	mm    INCH	DRAWN BY DATE WSTRASZKIEWI 2014/07/01	TITLE CSE M12 M12 8P FE STR MA STR XM DE		
		ANGULAR ± 1 ° DRAFT WHERE APPLICABLE MUST REMAIN WITHIN DIMENSIONS	MATERIAL NO. SEE MATRIX	APPROVED BY DATE MIWASIECZKO 2014/07/09	<b>molex</b> DOCUMENT NO. SD-120066-002		
		SIZE A3	THIS DRAWING CONTAINS INFORMATION THAT IS PROPRIETARY TO MOLEX INCORPORATED AND SHOULD NOT BE USED WITHOUT WRITTEN PERMISSION	SHEET NO. 1 OF 1			