

THIS DRAWING IS UNPUBLISHED.

RELEASED FOR PUBLICATION

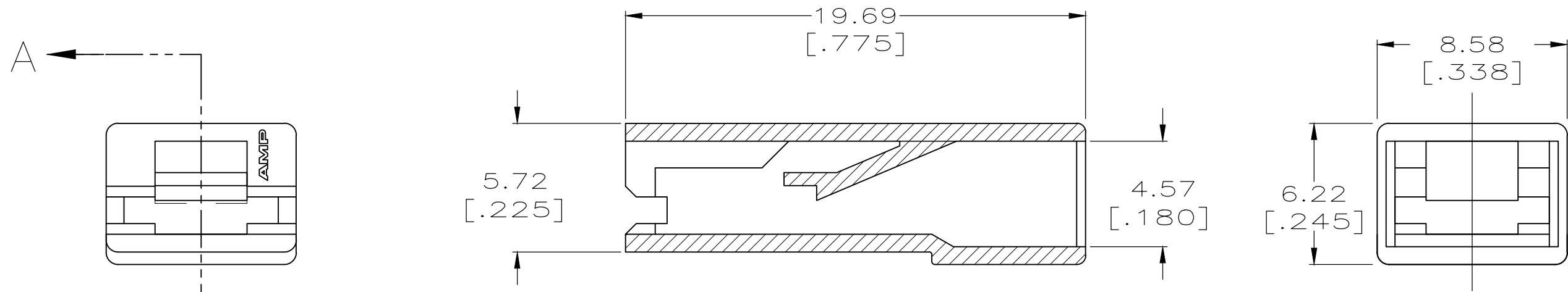
-. - .

REVISIONS

© COPYRIGHT - TE Connectivity Ltd.


ALL RIGHTS RESERVED.

P	LTR	DESCRIPTION	DATE	DWN	APVD
	K2	REVISED PER ECR-18-014750	24SEP2018	BDA	DS



SECTION A-A

NYLON, V0 NATURAL	1-480418-3
6/6 NYLON NATURAL	1-480418-0
MATERIAL	PART NO.

THIS DRAWING IS A CONTROLLED DOCUMENT.		DWN	JR RUTH	8/9/96	 TE Connectivity Ltd.																
DIMENSIONS: mm [INCHES]		CHK	MS FEHER	8/9/96				NAME													
TOLERANCES UNLESS OTHERWISE SPECIFIED:		APVD	R BEAVER	8/9/96							HOUSING, RECEPTACLE, FASTON, 5.21 [.205] SERIES										
<table border="1"> <tr><td>0 PLC</td><td>± -</td></tr> <tr><td>1 PLC</td><td>± -</td></tr> <tr><td>2 PLC</td><td>± 0.38 [.015]</td></tr> <tr><td>3 PLC</td><td>± -</td></tr> <tr><td>4 PLC</td><td>± -</td></tr> <tr><td>ANGLES</td><td>± -</td></tr> </table>		0 PLC	± -	1 PLC				± -	2 PLC	± 0.38 [.015]				3 PLC	± -	4 PLC	± -	ANGLES	± -	PRODUCT SPEC	
0 PLC	± -																				
1 PLC	± -																				
2 PLC	± 0.38 [.015]																				
3 PLC	± -																				
4 PLC	± -																				
ANGLES	± -																				
MATERIAL		FINISH		WEIGHT		A3 00779		C-480418	-												
CUSTOMER DRAWING				SCALE		5:1		SHEET 1 OF 1		REV K2											