

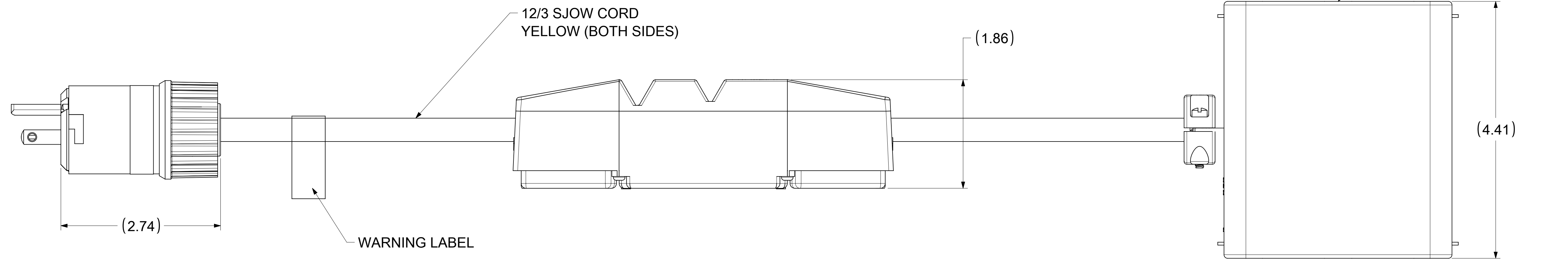
HUBBELL PLUG UGP20231  
NEMA 5-20P HAZZARD DUTY PLUG

INLINE GFCI

NYLON COVER PLATE

50 FT. #12/3 CABLE

NEMA 5-20  
SUPER-SAFEWAY  
WATERTITE  
DUAL-SIDED OUTLET BOX



12/3 SJOW CORD  
YELLOW (BOTH SIDES)

WARNING LABEL

RUBBER OUTLET BOX  
COLOR: YELLOW

**TECHNICAL**  
LISTED: UL & CSA  
RATED SUPPLY VOLTAGE: 120VAC  
RATED CURRENT: UP TO 15 AMPS  
RESET TYPE: MANUAL  
OPERATING FREQUENCY: 60 Hz  
TYPE: CLASS A  
GROUND TRIP CURRENT: 4-6 mA  
OVERLOAD CURRENT: 90 AMP 125 VAC  
INSULATION VOLTAGE: 1,500 VRMS - 1 MINUTE  
ENDURANCE OPERATIONS: 3000 OPERATIONS

FUNCTIONAL SYMBOLS FA = 0 FC = 0 FD = 0	THIS DRAWING CONTAINS INFORMATION THAT IS PROPRIETARY TO MOLEX ELECTRONIC TECHNOLOGIES, LLC AND SHOULD NOT BE USED WITHOUT WRITTEN PERMISSION		CURRENT REV DESC: MIGRATION TO ECTR/NX		
	DIMENSION UNITS <b>INCH/MM</b>	SCALE <b>1:1</b>	EC NO: 694247		
DIVISIONAL SYMBOLS	GENERAL TOLERANCES (UNLESS SPECIFIED)		DRWN: VASUTHKARP 2022/02/02		
	ANGULAR TOL ± 0.5°		CHK'D: DNGUYEN62 2022/02/14		
	4 PLACES ±	APPR: HKNEELAND 2022/03/03			
	3 PLACES ±	INITIAL REVISION:			
	2 PLACES ±	DRWN: TVICKERS 2009/09/01			
1 PLACE ±	APPR: DTITUS 2009/12/08				
0 PLACES ±	DRAFT WHERE APPLICABLE MUST REMAIN WITHIN DIMENSIONS		THIRD ANGLE PROJECTION	DRAWING	SERIES
		D-SIZE		130135	MATERIAL NUMBER
				1301530221	CUSTOMER
				GENERAL MARKET	SHEET NUMBER
					1 OF 1

**molex**

20A. IN-LINE GFCI  
W/HUBBEL PLUG & PORTABLE OUTLET BOX

PRODUCT CUSTOMER DRAWING

DOCUMENT NUMBER: **SD-130135-022** DOC TYPE: PSD DOC PART: 001 REVISION: A1