

| MATERIAL NO. | ENGINEERING NO. | FINISHED LENGTH |
|--------------|-----------------|-----------------|
| 1300080211 | 302001A01F030 | 3 FT. (0.91 M) |
| 1300080212 | 302001A01F060 | 6 FT. (1.82 M) |
| 1300080215 | 302001A01F120 | 12 FT. (3.66 M) |
| 1300080218 | 302001A01F200 | 20 FT. (6.10 M) |

CABLE LENGTH TOLERANCES

<.3M [1FT]: +19mm-0 [+.75in-0]

.3 - .9M [1 - 3FT]: +44.5mm-0 [+1.75in-0]

.9 - 1.8M [3 - 6FT]: +55.6mm-0 [+2.19in-0]

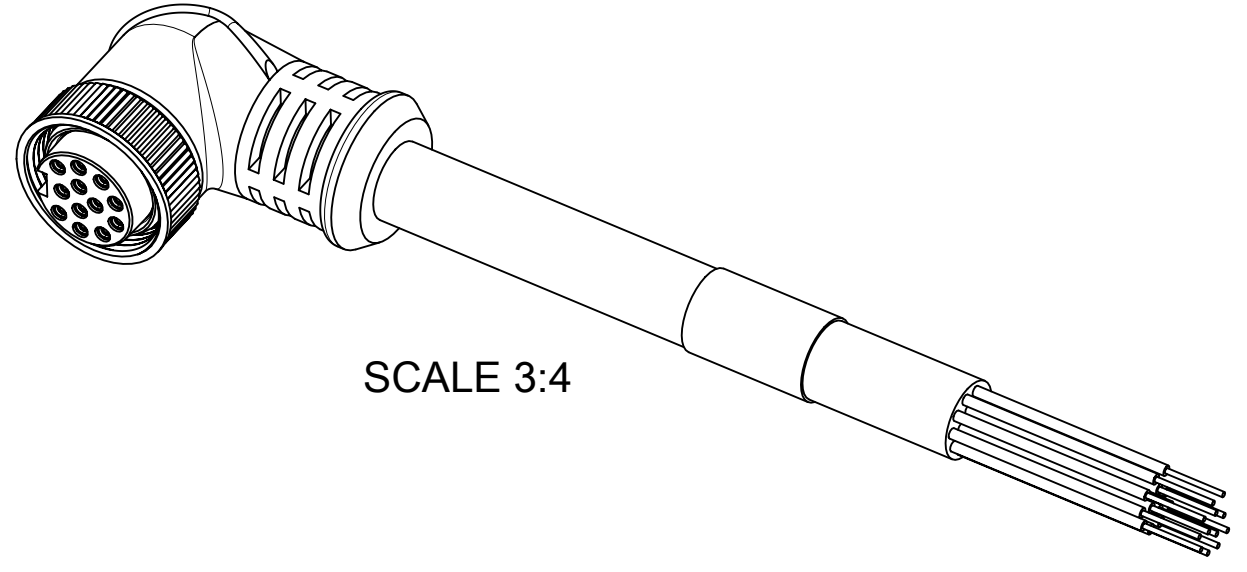
1.8 - 3.7M [6 - 12FT]: +88.9mm-0 [+3.50in-0]

3.7 - 7.3M [12 - 24FT]: +165.1mm-0 [+6.50in-0]

7.3-14.6M [24 - 48FT]: +317.5mm-0 [+12.50in-0]

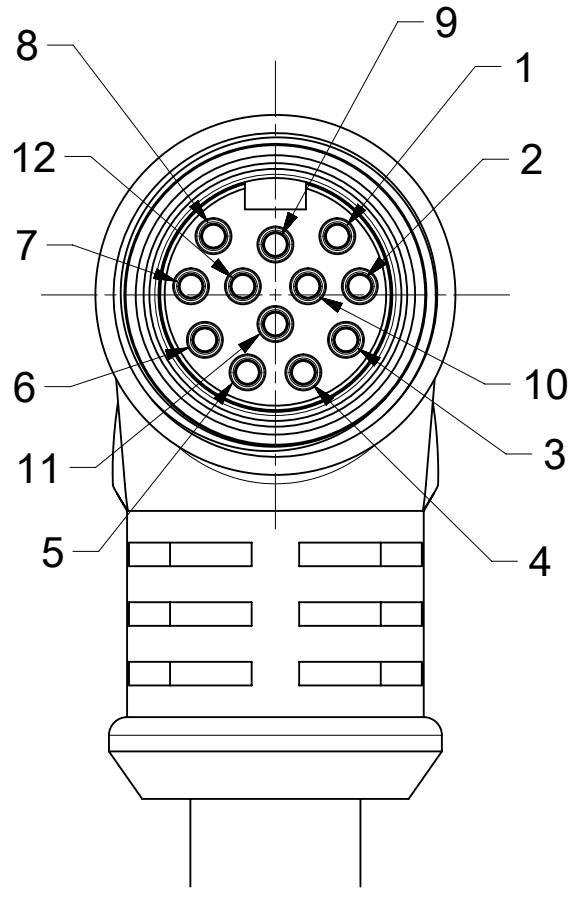
14.6 - 30.5M [48-100FT]: +622.3mm-0 [+24.50in-0]

OVER 30M [100FT] +2% OF FINISHED LENGTH



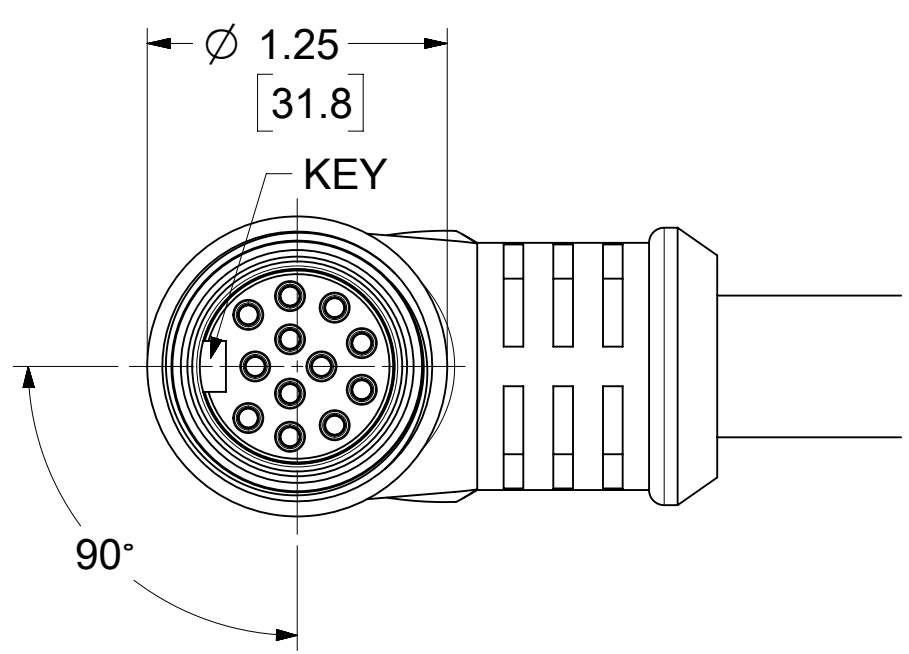
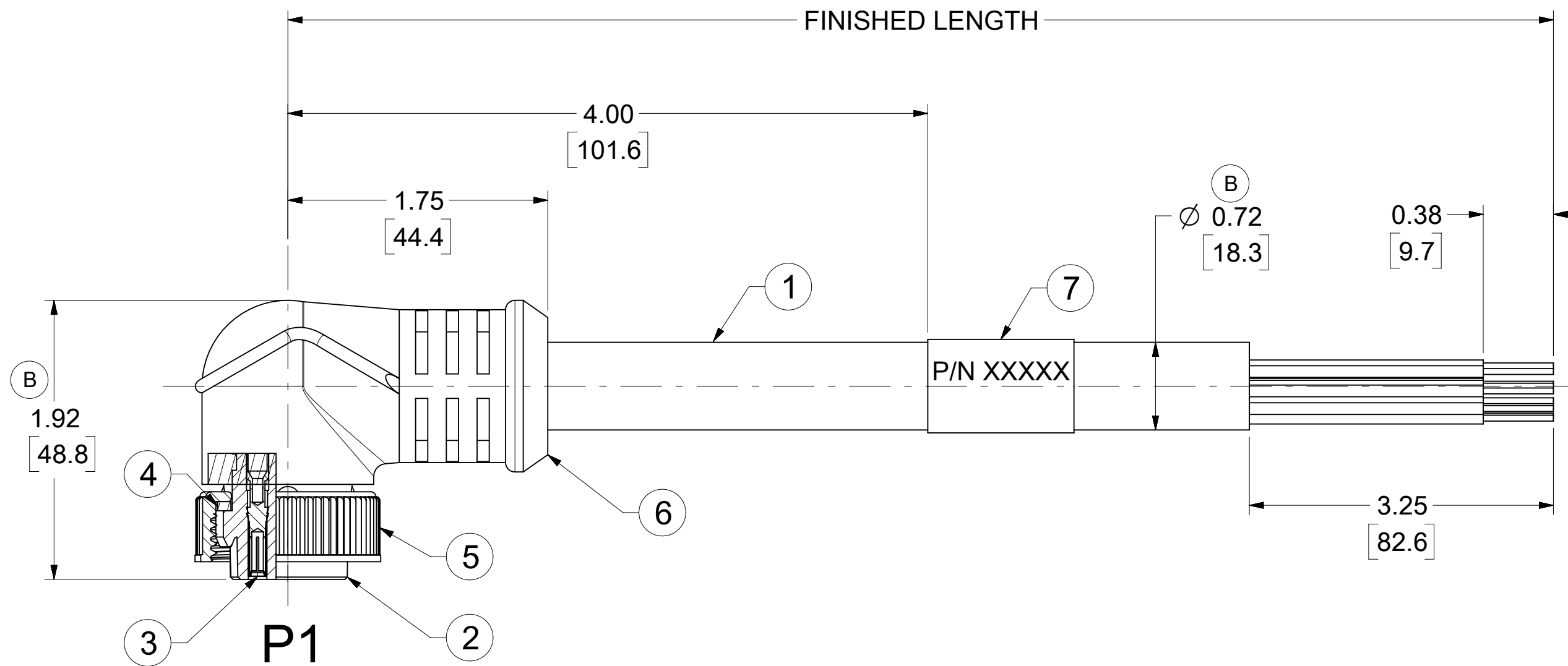
WIRING DIAGRAM

- P1
- 1 ORANGE
- 2 BLUE
- 3 WHITE/BLACK TRACE
- 4 RED/BLACK TRACE
- 5 GREEN/BLACK TRACE
- 6 ORANGE/BLACK TRACE
- 7 BLUE/BLACK TRACE
- 8 BLACK/WHITE TRACE
- 9 GREEN/YELLOW GND
- 10 RED
- 11 WHITE
- 12 BLACK



FEMALE FACE VIEW
SCALE 3:2

- NOTES:**
- MATERIAL: AS NOTED
 - FINISH: AS NOTED
 - ELECTRICAL:
VOLTAGE: 320V PER IEC60664
600V PER UL2238
CURRENT: 5A
 - TEMP RATING: -20°C TO +105°C
 - PROTECTION: IP67 (WHEN MATED)
 - CSA CERTIFIED FILE: LR6837
 - UL RECOGNIZED FILE: E152210
 - COUPLING THREAD: 1 1/8"-16UN
 - ASSEMBLY IS ROHS COMPLIANT
 - ALL DIMS ARE FOR REFERENCE UNLESS TOLERANCED OR NOTED OTHERWISE



PART NUMBER MATRIX

302001A01F030

FINISHED LENGTH
F001= .1 FT
F020= 2 FT
F200= 20 FT

| ITEM | DESCRIPTION | MATERIAL | FINISH |
|------|------------------------|---------------|------------------|
| 7 | LABEL | VINYL | BLACK/YELLOW |
| 6 | OVERMOLD | TPE | YELLOW |
| 5 | COUPLING NUT | ZINC DIE CAST | BLACK E-COAT |
| 4 | FRICTION RING | NYLON | NATURAL |
| 3 | SOCKET CONTACT | Cu ALLOY | GOLD OVER NICKEL |
| 2 | FEMALE INSERT | TPE | YELLOW |
| 1 | #16-12 CABLE, STOOV/ST | PVC JACKET | YELLOW |
| ITEM | DESCRIPTION | MATERIAL | FINISH |

| | | | |
|-----------------|----|--------------|---------------------|
| DOCUMENT STATUS | P1 | RELEASE DATE | 2021/08/27 14:24:19 |
|-----------------|----|--------------|---------------------|

THIS DRAWING CONTAINS INFORMATION THAT IS PROPRIETARY TO MOLEX ELECTRONIC TECHNOLOGIES, LLC AND SHOULD NOT BE USED WITHOUT WRITTEN PERMISSION

| | | |
|--|------------------------|--|
| DIMENSION UNITS | SCALE | CURRENT REV DESC: UPDATED ITEM #2.6,7, OVM & LABEL DIM. AND MATERIAL P/N TABLE. ADDED CSA, UL, IEC VOLT, TEMP RATING, IP RATING, TOL. CHART, PART NUMBER MATRIX AND CABLE DIA. |
| INCH/MM | 1.25:1 | |
| GENERAL TOLERANCES (UNLESS SPECIFIED) | | |
| | MM | INCH |
| 4 PLACES | ± | ± |
| 3 PLACES | ± | ± |
| 2 PLACES | ± | ± |
| 1 PLACE | ± | ± |
| 0 PLACES | ± | ± |
| ANGULAR TOL | ± 0.5 ° | |
| DRAFT WHERE APPLICABLE MUST REMAIN WITHIN DIMENSIONS | THIRD ANGLE PROJECTION | DRAWING SERIES |
| | | C-SIZE 130008 |

| | |
|-------------------|------------|
| EC NO: 673727 | 2021/06/25 |
| DRWN: AKABADI | 2021/08/13 |
| CHK'D: RSTONE | 2021/08/27 |
| APPR: BWOODMAN | |
| INITIAL REVISION: | |
| DRWN: BRUPERT | 2009/08/24 |
| APPR: JFMURPHY | 2009/08/27 |

| | | | | |
|-----------------|----------------|--------------|----------|----------|
| DOCUMENT NUMBER | | DOC TYPE | DOC PART | REVISION |
| SD-130008-017 | | PSD | 001 | B |
| MATERIAL NUMBER | CUSTOMER | SHEET NUMBER | | |
| SEE TABLE | GENERAL MARKET | 1 OF 1 | | |

molex

MINI-CHANGE CORDSET, C SIZE
12 POLE, FEMALE, R/A, SINGLE KEY, 16AWG

PRODUCT CUSTOMER DRAWING