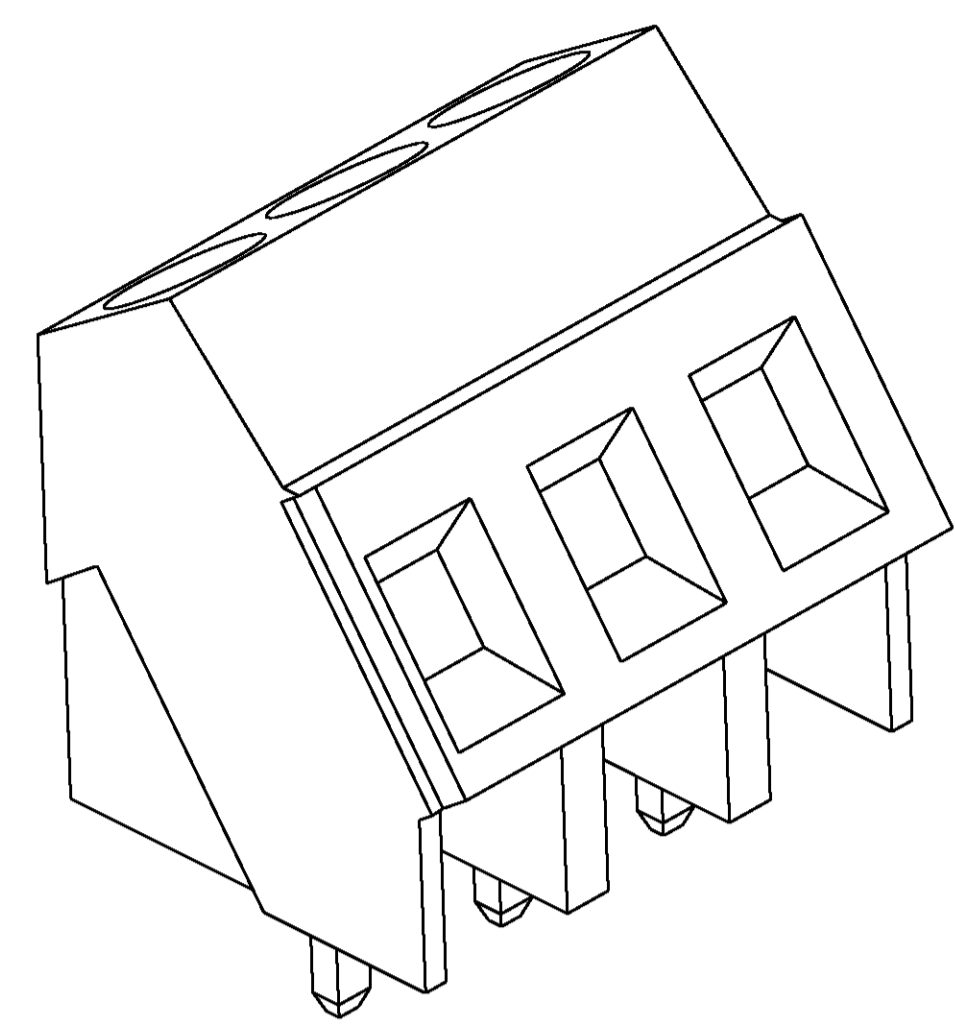
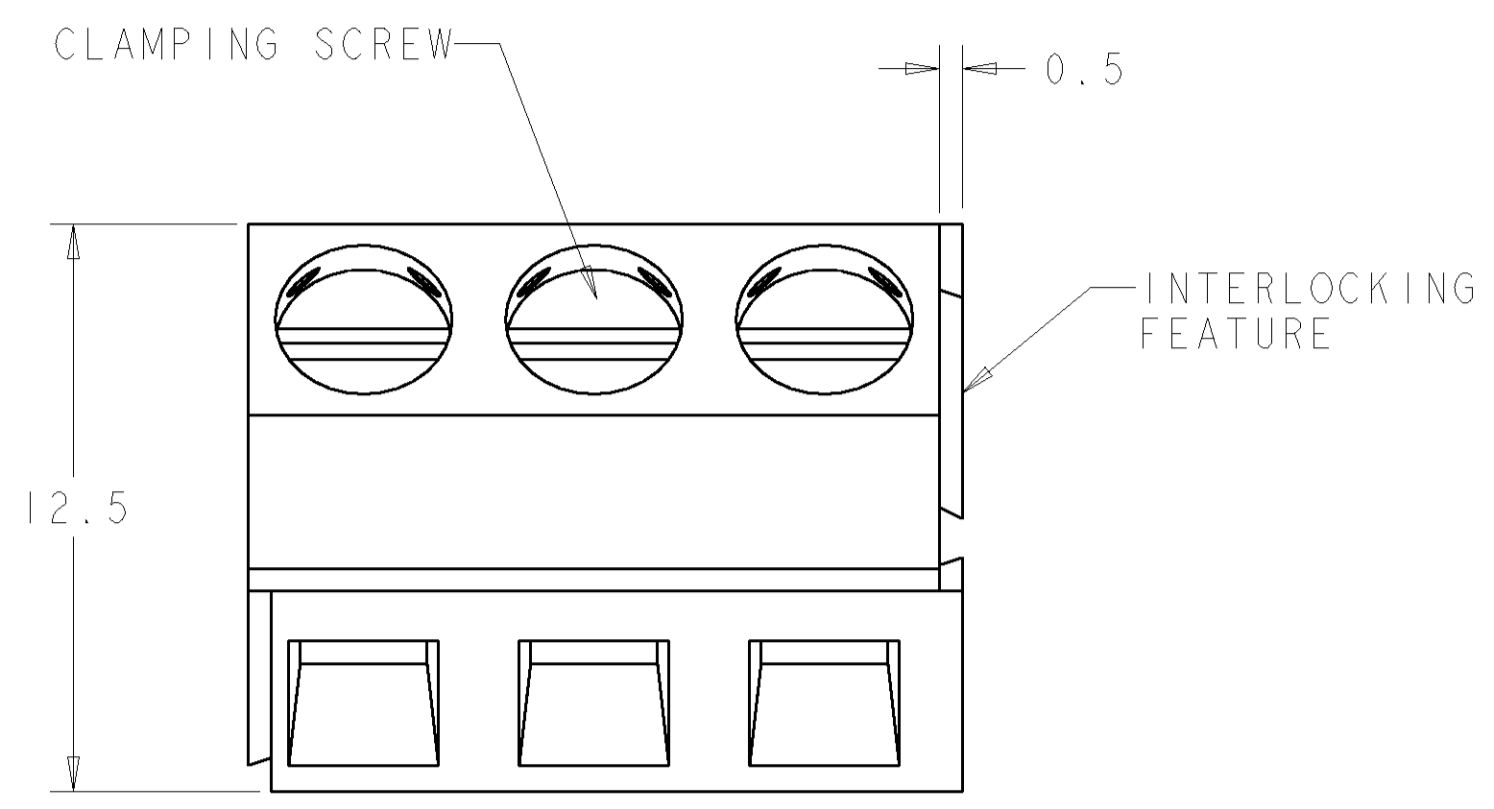
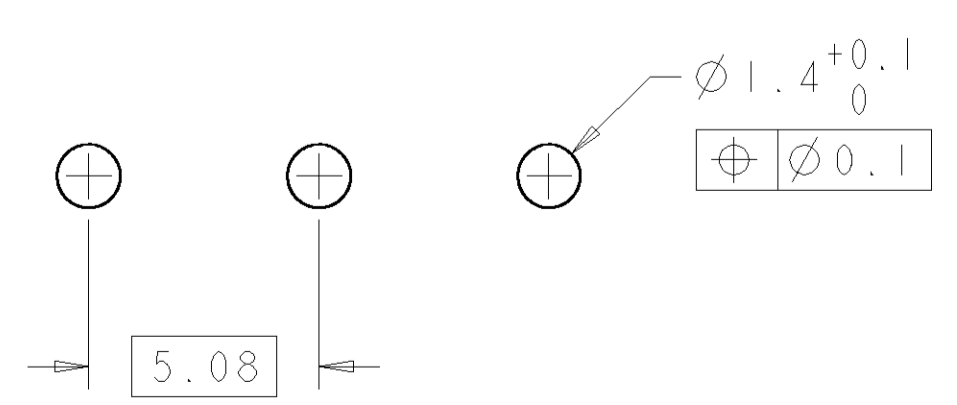
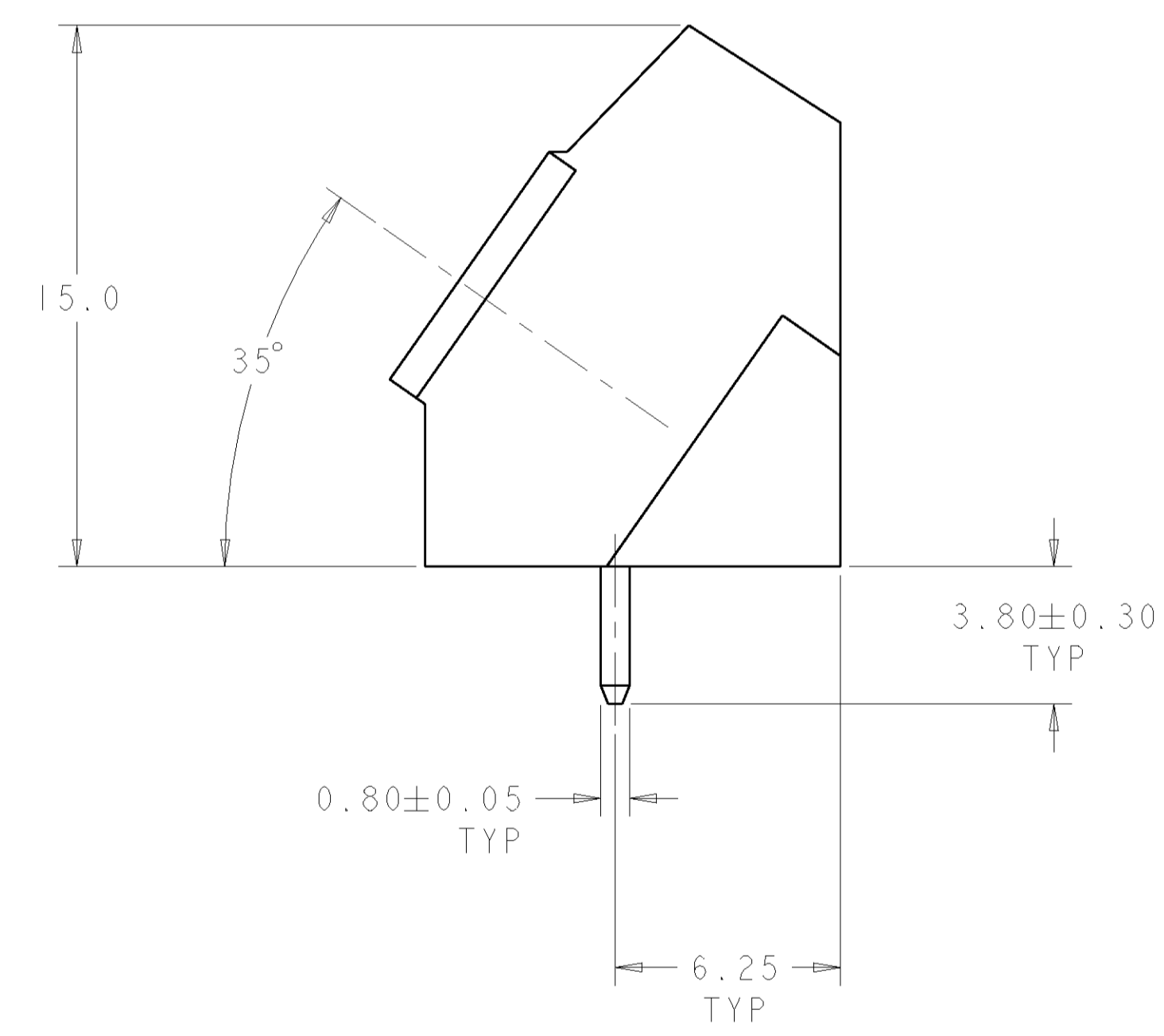
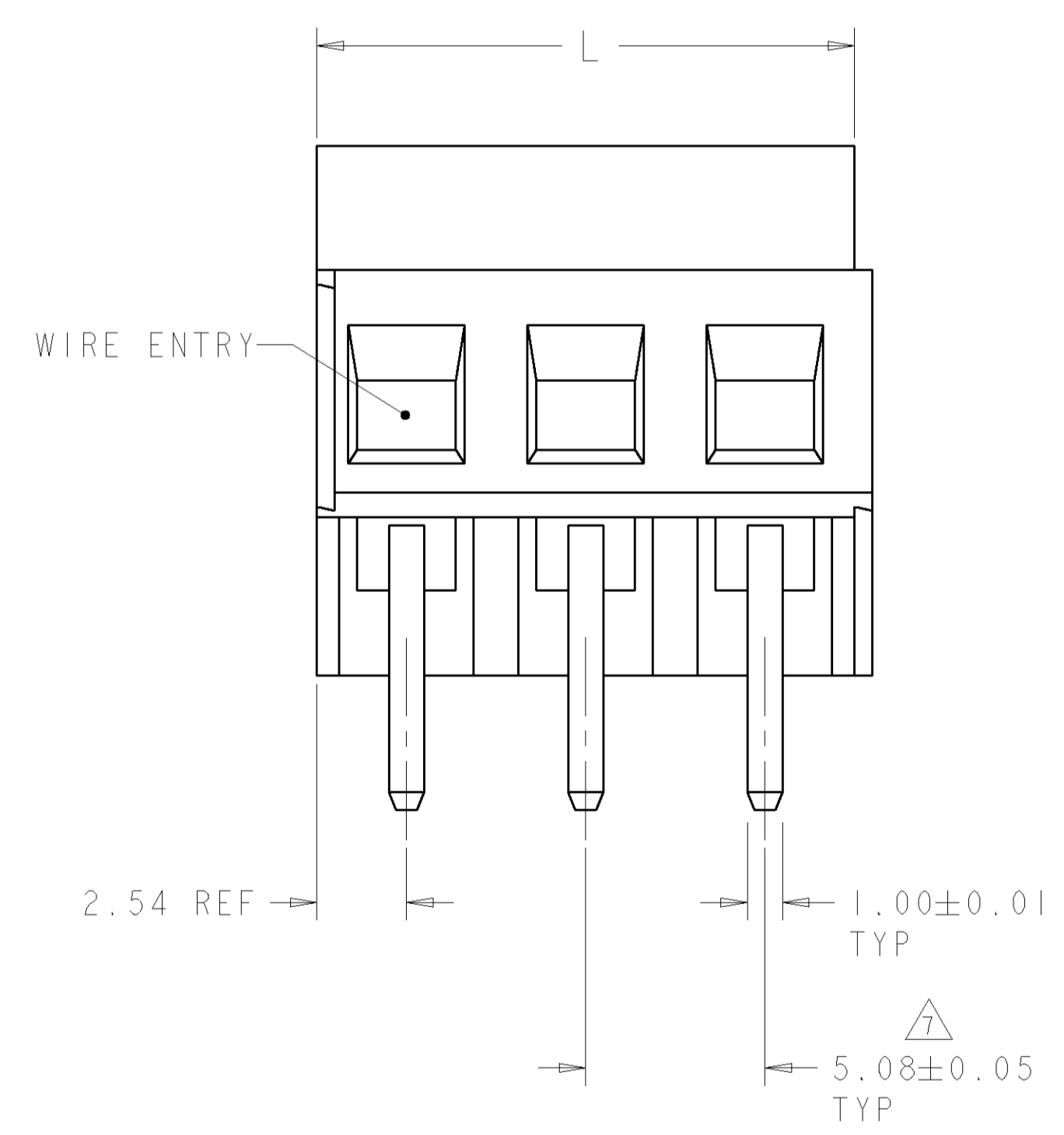


| LOC | DIST | REVISIONS | | | | | |
|-----|------|-----------|-----|-------------|------|-----|------|
| FT | 0 | P | LTR | DESCRIPTION | DATE | DWN | APVD |
| | | A | | RELEASED | - | - | - |



1546220-3 AS SHOWN

- △ MATERIALS AND FINISH:
 HOUSING: PA 6-6, UL 94-V0, COLOR GRAY.
 CLAMP: BRASS, NICKEL PLATED.
 TERMINAL: BRASS, TIN PLATED.
 CLAMPING SCREW: M3, BRASS, NICKEL PLATED.
- SUITABLE FOR 1,6-2,4mm PCB THICKNESS.
 - END-TO-END STACKABLE W/INTERLOCK, WITHOUT LOSS OF CENTERLINE SPACING.
 - WIRE RANGE: 12-30 AWG.
 - RECOGNIZED UNDER THE COMPONENT PROGRAM OF UNDERWRITERS LABORATORIES INC. FILE N° E60677.
 - IMQ CERTIFICATE WITH SURVEILLANCE IN CONFORMITY WITH IEC 998-1/998-2-1.
- △ NOT CUMULATIVE TOLERANCE.



RECOMMENDED PC BOARD LAYOUT

| | | |
|----|------------|-------------|
| 60 | 12 | 1-1546220-2 |
| 55 | 11 | 1-1546220-1 |
| 50 | 10 | 1-1546220-0 |
| 45 | 9 | 1546220-9 |
| 40 | 8 | 1546220-8 |
| 35 | 7 | 1546220-7 |
| 30 | 6 | 1546220-6 |
| 25 | 5 | 1546220-5 |
| 20 | 4 | 1546220-4 |
| 15 | 3 | 1546220-3 |
| 10 | 2 | 1546220-2 |
| L | NO OF POSN | PART NUMBER |

| | | | | | | | |
|------------------------|--|--|--|--|--|--|--|
| DIMENSIONS: mm | | TOLERANCES UNLESS OTHERWISE SPECIFIED: 0 PLC ± 1 PLC ±.3 2 PLC ±.25 3 PLC ± 4 PLC ± ANGLES ± FINISH | | DWN S. WELDON 02OCT2003 ENR C. RICHARD 02OCT2003 APVD C. RICHARD 02OCT2003 | | BUCHANAN Tyco Electronics Harrisburg, PA 17105-3608 | |
| MATERIAL - FINISH - | | WEIGHT - CUSTOMER DRAWING | | PRODUCT SPEC 108-20166 APPLICATION SPEC 114-20079 | | NAME TERMINAL BLOCK, PCB MOUNT ANGLED WIRE ENTRY, STACKING W/INTERLOCK, 5.08mm PITCH | |
| SCALE 3:1 | | SHEET 1 OF 1 | | REV A | | SIZE CAGE CODE DRAWING NO RESTRICTED TO A 00779 C=1546220 | |