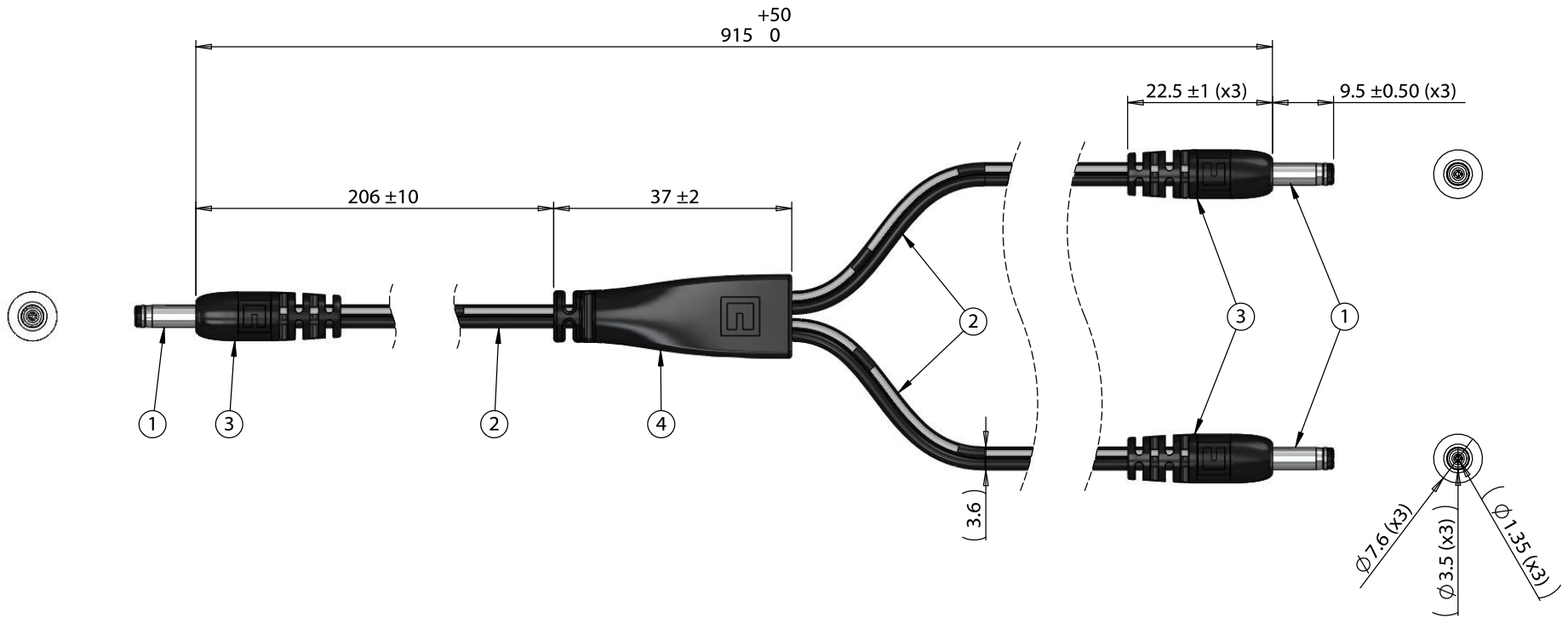


ITEM NO.	PART NUMBER	DESCRIPTION	QTY.	COMPONENT NOTES
1	50-00056	Connector, dc plug, 3.5x1.35xL20mm, molding style, spring contacts	3	
2	30-00003	Wire, 2C BC, 24 AWG, UL2468, 300V, 80C, 3.6 mm, VW-1, PVC, 76A	3	
3	24-00002	Overmold, PVC	3	black
4	24-00195	Overmold, splitter, Ø 8.0 mm by 10.0x13.0 mm	1	black



Wiring Diagram		
50-00056	wire color	50-00056
center	black with stripe	center
sleeve	black	sleeve

Notes:
Functionally equivalent components may be substituted

Revision:	Date:	Description:	Prepared:	Notes:	<h1>TENSILITY</h1>
A	4/13/2018	Initial release	JP		
			Verified:	RoHS compliant	tel 1.541.323.3228 800 877.670.7118
			AW	Function test: no open, no short circuit, no intermittent	fax 1.541.323.4202 web tensility.com
			Dimensions are in millimeters.	Description:	Size:
			Tolerances:	Cable, 915 mm, 3.5x1.35x9.5 mm 50-00056 dc plug to y-split to 2x 3.5x1.35x9.5 mm dc plug, 24 AWG	Part number:
			X: ± 0.5 mm		A 10-02791
			X.X: ± 0.3 mm		Scale: 1:1
			X.XX: ± 0.05 mm		Sheet 1 of 1

5

4

3

2

1