



Inplay NanoBeacon™ IN100 Development Kit User Manual



NanoBeacon™

 **Contents**

About Documentation	3
1. General Description	4
2. Hardware Description	6
3. Schematic	9
4. Revision History	10
5. Legal Disclaimer.....	10

Preliminary

 **List of Figures**

FIGURE 1: DEVELOPMENT KIT	4
FIGURE 2: DEVELOPMENT BOARD.....	5
FIGURE 3: PROGRAMMER BOARD	5
FIGURE 4: PROGRAMMER BOARD	6
FIGURE 5: PROGRAMMER BOARD	8
FIGURE 6: DEVELOPMENT KIT SCHEMATIC	9

Preliminary

About Documentation

Document Name	InPlay NanoBeacon™ IN100 Development Kit User Manual	
Part number	IN1BN-DKCO-100-C0	
Control Number	IN1ED0C-HW-IN1BN-EN-V1.0	External User
Revision	V1.0	

Product Status	Document Content	Data Status
In Development	Target specification / MRD	Initial release
Engineering Document	Main functions and features description	Preliminary version
Official Release Document	Description of all functional features	Subject to revision and updates

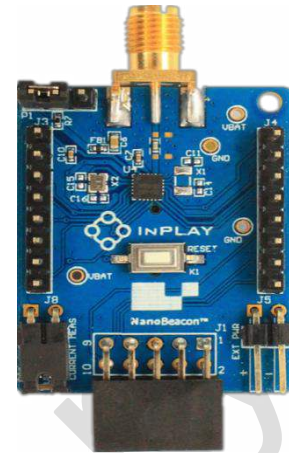
This document applies to the following products:

Document	Applicable Products	Document Status
InPlay NanoBeacon™ IN100 Development Kit User Manual	IN1BN-DKCO-100-C0	Engineering Document

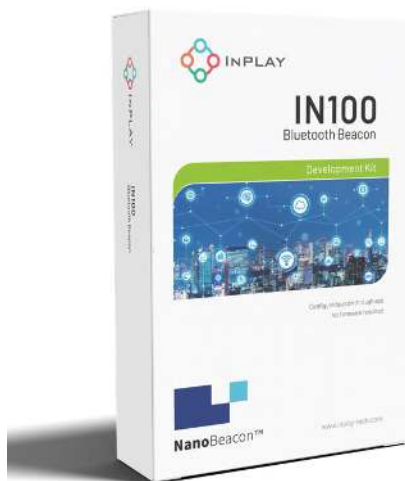
1. General Description

IN1BN-DKCO-100-C0 is an InPlay NanoBeacon™ development kit that includes 3 IN100 evaluation boards and a programming board.

The development kit provides all the I/Os available on IN100 (QFN18 package) that allow users to easily connect peripheral devices such as sensors, and by connecting the RF cables using SMA, users can evaluate the RF performance more accurately. In addition, an external power supply can be selected to provide a wide range of voltages for the IN100 product or system evaluation.



A kit contains three development boards and one programmer board.



IN100 Development Board

Programmer Board

Figure 1 : Development Kit

Development Board

- NanoBeacon™ IN100 SoC chipset
- SMA Connector
- System current measurement jumper
- Power supply source selection: Coin Battery / External power supply / Programmer board

Figure 2 : Development Board

Programmer Board

- OTP power switch
- 1.8V / 3.3V / No connect as power supply option for the Development Board
- OTP memory (eFuse) burning indicator

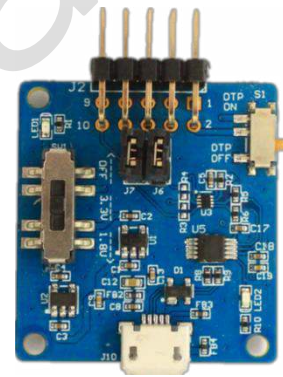


Figure 3 : Programmer Board

2. Hardware Description

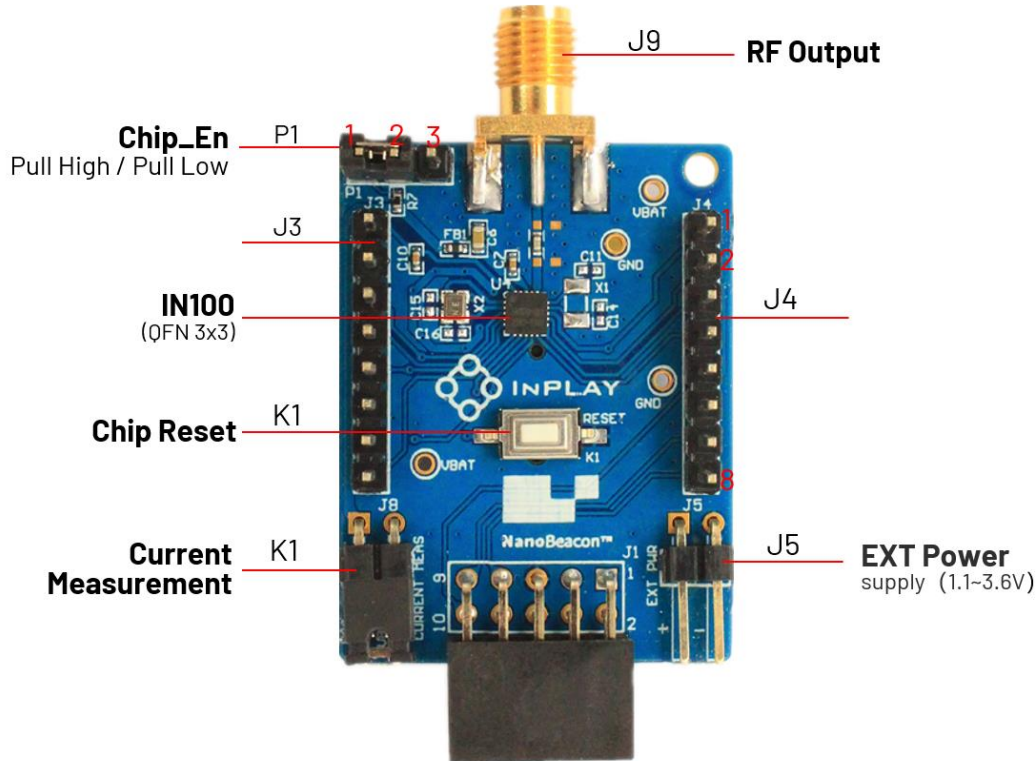


Figure 4 : Programmer Board

Development board Key Connectors Definition

Designator	Function	Description		
		Pin number	Pin name	Description
J3	Connector for IOs and power	1	Reset	Connect to IN100 Chip_En pin, Pull low to disable the chip, Pull up to enable the chip
		2	VBAT	System power supply, connect to IN100 VCC pin
		3	MGPI07	IN100 MIX signal GPIO
		4	MGPI06	IN100 MIX signal GPIO
		5	MGPI05	IN100 MIX signal GPIO
		6	GND	Power ground
		7	SW0	IN100 IO power switch
		8	SW1	IN100 IO ground switch

J4	Connector for IOs and power	<table border="1"> <thead> <tr> <th>Pin number</th> <th>Pin name</th> <th>Description</th> </tr> </thead> <tbody> <tr> <td>1</td> <td>VDDQ</td> <td>OTP (eFuse) programming voltage supply</td> </tr> <tr> <td>2</td> <td>MGPIO4</td> <td>IN100 MIX signal GPIO</td> </tr> <tr> <td>3</td> <td>GPIO3</td> <td>IN100 digital signal GPIO</td> </tr> <tr> <td>4</td> <td>GPIO2</td> <td>IN100 digital signal GPIO</td> </tr> <tr> <td>5</td> <td>GND</td> <td>Power ground</td> </tr> <tr> <td>6</td> <td>VBAT</td> <td>System power supply, connect to IN100 VCC pin</td> </tr> <tr> <td>7</td> <td>GPIO0</td> <td>IN100 digital GPIO, Default is IN100 UART_RX</td> </tr> <tr> <td>8</td> <td>GPIO1</td> <td>IN100 digital GPIO, Default is IN100 UART_TX</td> </tr> </tbody> </table>	Pin number	Pin name	Description	1	VDDQ	OTP (eFuse) programming voltage supply	2	MGPIO4	IN100 MIX signal GPIO	3	GPIO3	IN100 digital signal GPIO	4	GPIO2	IN100 digital signal GPIO	5	GND	Power ground	6	VBAT	System power supply, connect to IN100 VCC pin	7	GPIO0	IN100 digital GPIO, Default is IN100 UART_RX	8	GPIO1	IN100 digital GPIO, Default is IN100 UART_TX
		Pin number	Pin name	Description																									
		1	VDDQ	OTP (eFuse) programming voltage supply																									
		2	MGPIO4	IN100 MIX signal GPIO																									
		3	GPIO3	IN100 digital signal GPIO																									
		4	GPIO2	IN100 digital signal GPIO																									
		5	GND	Power ground																									
		6	VBAT	System power supply, connect to IN100 VCC pin																									
		7	GPIO0	IN100 digital GPIO, Default is IN100 UART_RX																									
8	GPIO1	IN100 digital GPIO, Default is IN100 UART_TX																											
J5	External power supply	External Power supply 1.1~3.6V input. When have this power supply, please keep coin battery not installed, and Programmer board SW1 switched to OFF																											
J8	Current measurement	- for normal operation, jumper needs to be installed - for current measurement, remove the jumper and have ammeter connect to pin 1 and pin 2																											
P1	Chip_En	- active pull-up Chip_EN pin: connect pin 1 and 2 - disable pull-down Chip_EN pin: connect pin 2 and 3																											
K1	Chip Reset	Chip reset																											

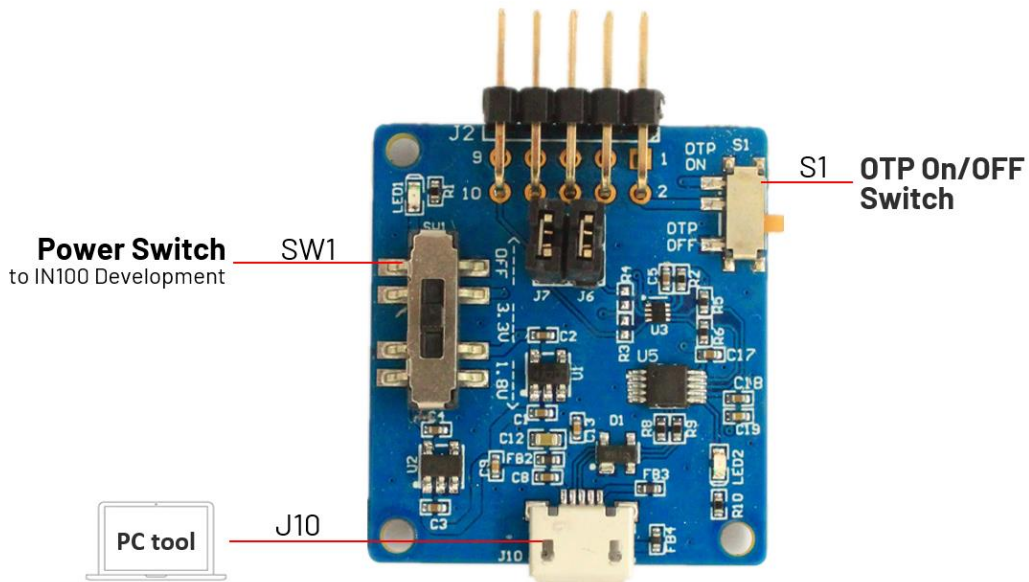


Figure 5 : Programmer Board

Key Connectors Definition

Designator	Function	Description
J6,J7	PC UART Jumpers	Disconnect UART between IN100 and PC when jumper not installed
J10	Uart Interface	UART for external PC
S1	OTP ON/OFF	-On: eFuse programming, J2 pin2(FUSE) output 3.3V and connect to IN100 VDDQ. - OFF: J2 pin2(FUSE) will grounding and connect to IN100 VDDQ
SW1	Voltage Output	-1.8V: 1.8V output for development board; -3.3V: 3.3V output for development board; -OFF: No power supply by programmer, supplied by development board itself.

3. Schematic

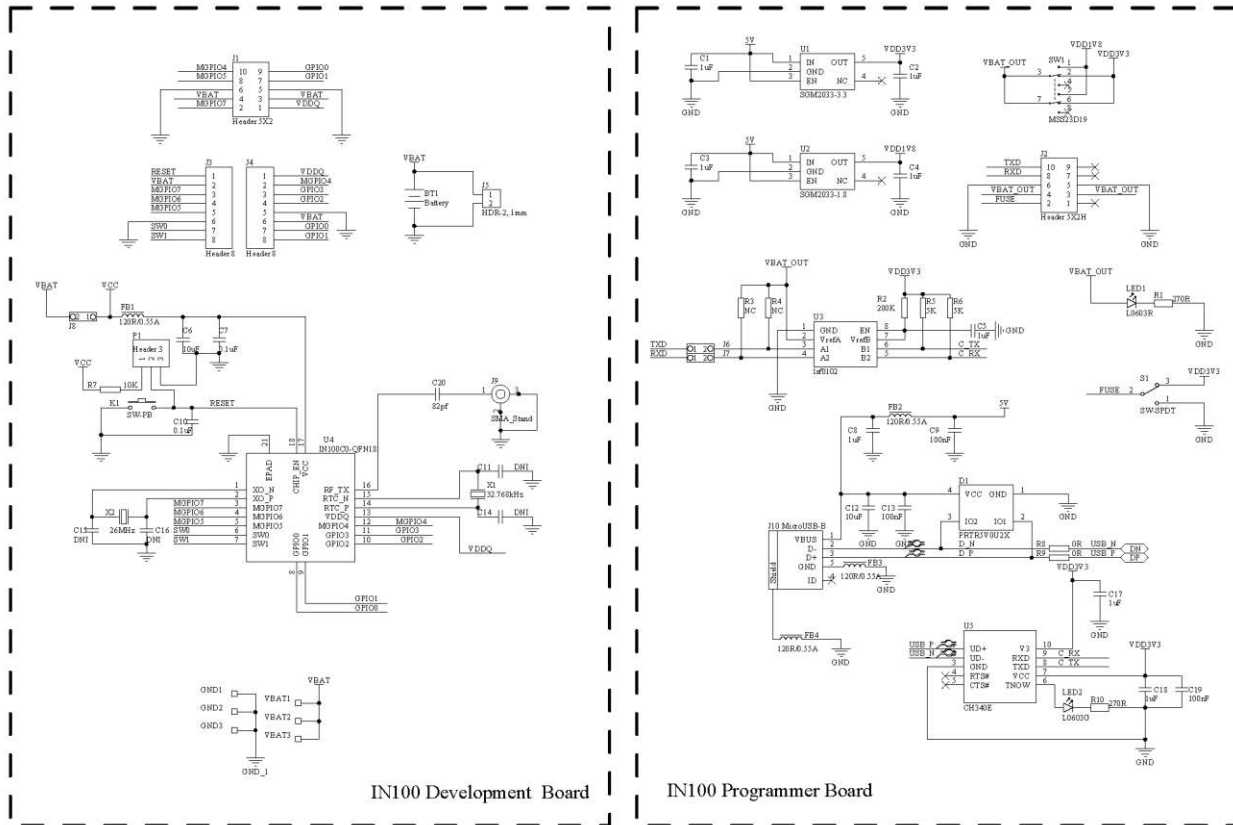


Figure 6 : Development Kit Schematic

4. Revision History

Revision	Description	Update Date	Owner
V1.0	Preliminary Version	Nov 16, 2021	Eric. Xu

5. Legal Disclaimer

InPlay has made every attempt to ensure the accuracy and reliability of the information provided on this document. However, the information is provided “as is” without warranty of any kind. The content of the document will subject to change without prior notice. InPlay does not accept any responsibility or liability for the accuracy, content, completeness, legally, or reliability of the information contained on this document. We shall not be liable for any loss or damage of whatever nature (direct, indirect, consequential or other) whether arising in contract or otherwise, which may arise as a result of your use of (or inability to use) this document, or from your use of (or failure to use) the information on this document. InPlay Inc and its company logo are registered trademarks of InPlay Inc with its registered office at 1 Technology Drive, STE J728, Irvine, CA, USA 92618.