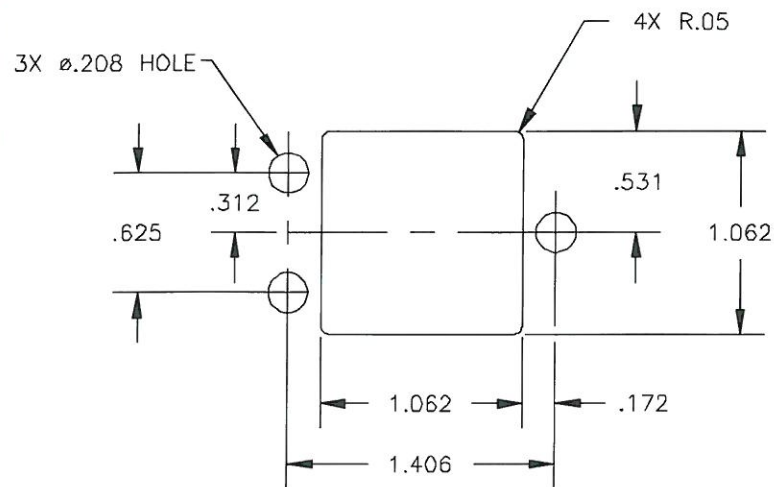
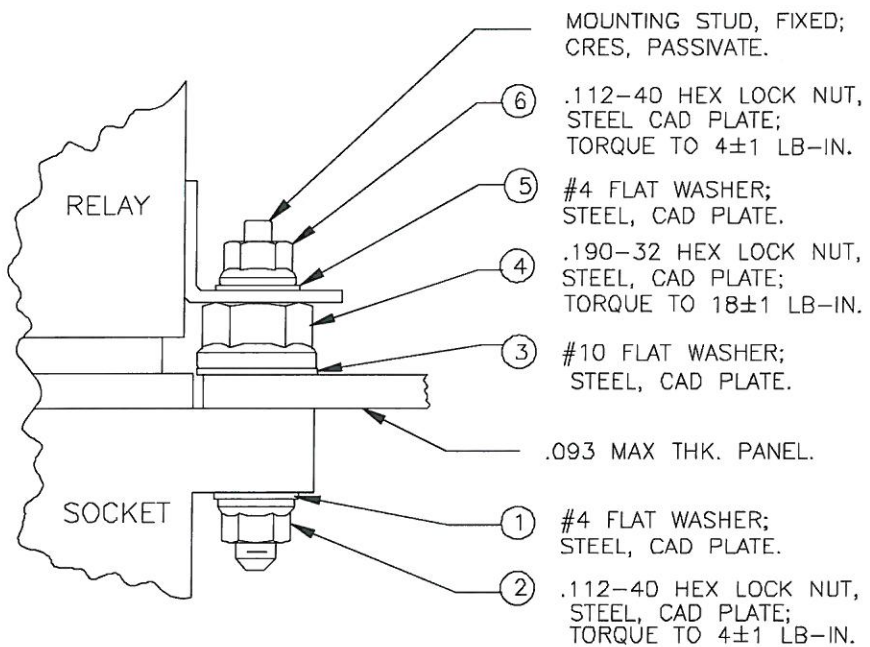
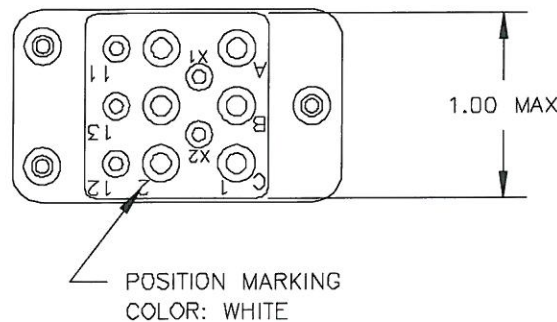
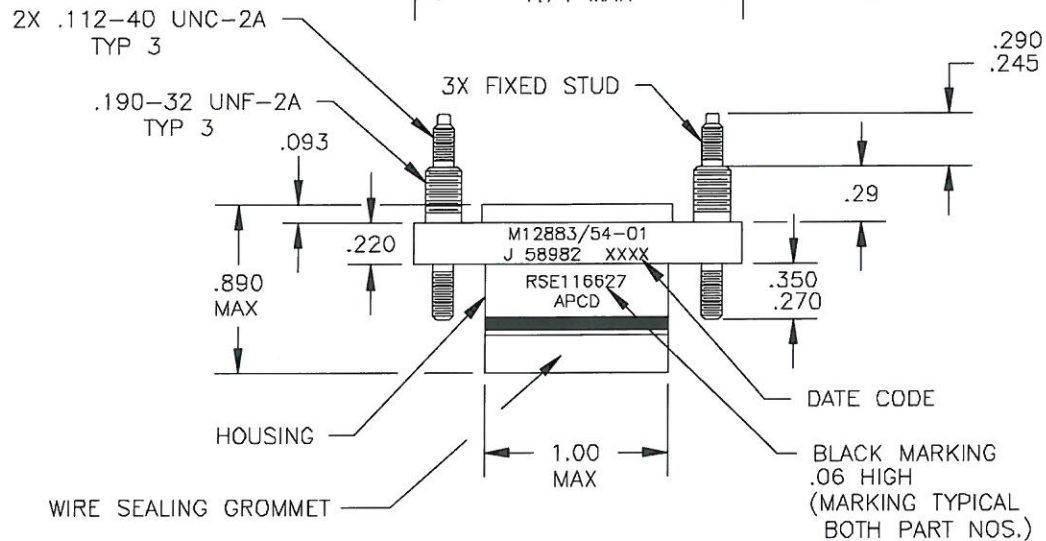
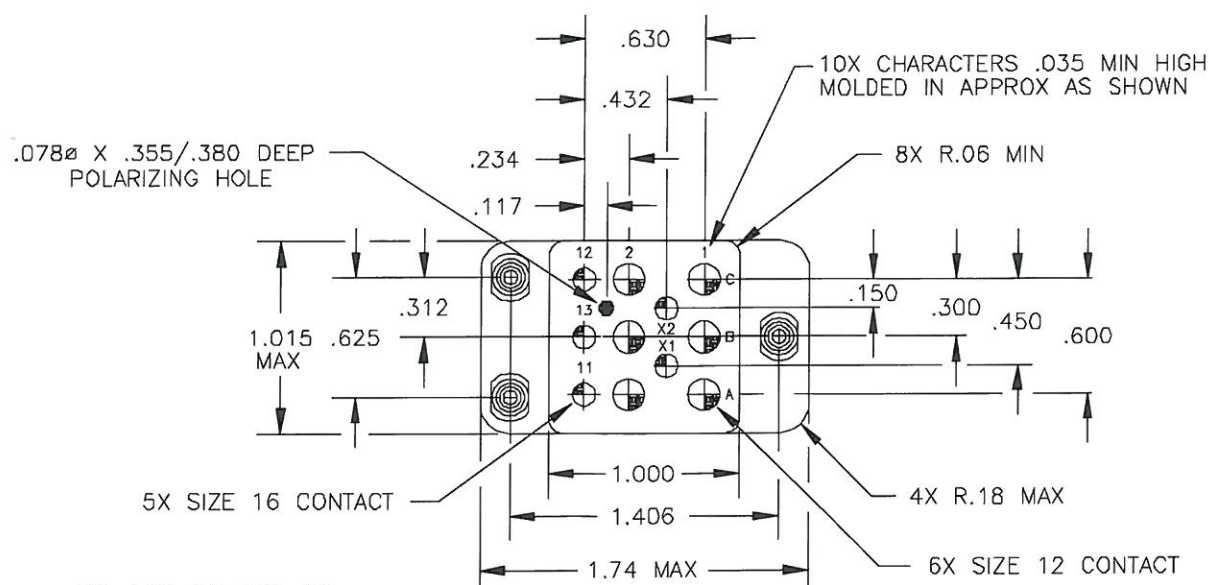


REV	ECN	APP'D
K	2949	JR 11/30/98
L	6750	<i>JR 10/9/11</i>



RECOMMENDED MOUNTING PANEL HOLE



MOUNTING HARDWARE
INSTALLATION SEQUENCE BY ITEM NUMBER
TYP 3 PLACES

- NOTES:
- CONFORMS TO PERFORMANCE REQUIREMENTS OF MIL-DTL-12883.
 - MATERIALS:
 - A. HOUSING - POLYETHERIMIDE, COLOR: BLUE-GREEN.
 - B. GROMMET - SILICONE ELASTOMER, 50±10 DUROMETER, COLOR: RED.
 - SOCKET CONTACTS CONFORM TO PERFORMANCE REQUIREMENTS OF SAE-AS39029, GOLD OVER NICKEL PLATE - SEE TABLE.
 - COMPLETE MOUNTING HARDWARE SUPPLIED AS SHOWN.
 - OPERATING TEMPERATURE: +125°C/-65°C CONTINUOUS.
 - CONTACT INSTALLATION TOOLS:

	#12 CONTACT	#16 CONTACT
CRIMP TOOL:	M22520/1-01	M22520/1-01
POSITIONER:	M22520/1-02	M22520/1-02
INSERTION/REMOVAL:	M81969/14-04	M81969/14-03

PART NO.	CONTACTS SUPPLIED		MARKING
	SZ 12/12 M39029/92-535	SZ 16/16 M39029/92-533	
RSE116626	-	-	RSE116627
RSE116627	6	5	

DIMENSIONS ANSI Y14.5M UNITS: INCHES ACAD FILE	TOLERANCES .XX ±.01 .XXX ±.005 ANGLES ±2°	PROJECTION 	Amphenol Pcd SPECIFICATION DRAWING ENGR A. PATRIE 11/23/98 CHKD <i>[Signature]</i> 10/4/11 APPD <i>[Signature]</i> 10/9/11
ORIGINAL 	THIS DOCUMENT CONTAINS PROPRIETARY INFORMATION WHICH IS THE CONFIDENTIAL PROPERTY OF AMPHENOL PCD, BEVERLY, MA, USA		

TITLE RELAY SOCKET 3 POLE, 25 AMP (6) SZ 12, (5) SZ 16		
SIZE B	DWG NO. RSE116626	REV L
CODE: 58982	SCALE: 1X	SHEET 1 OF 1

RSE116626

RSE116626