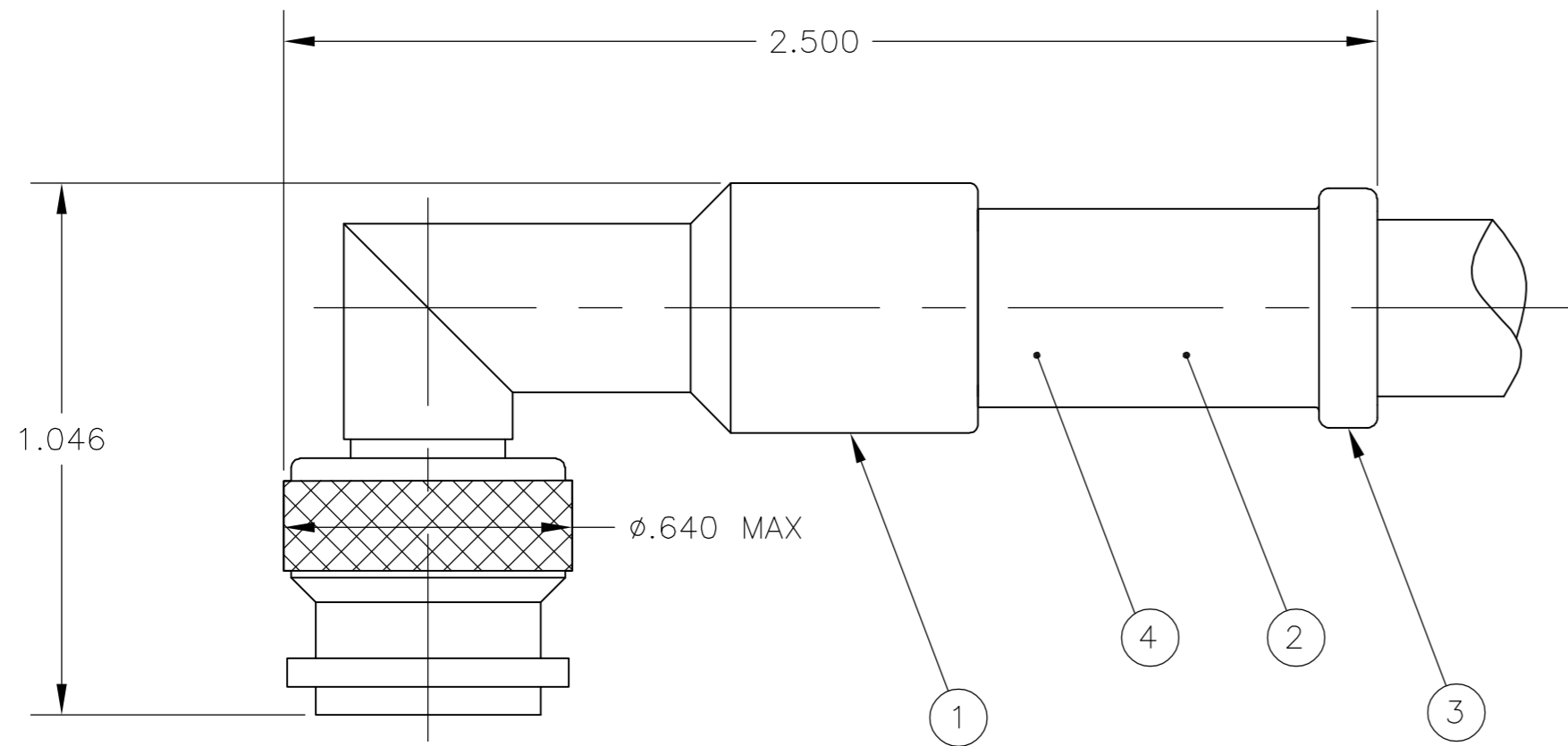


THIS DRAWING IS UNPUBLISHED. RELEASED FOR PUBLICATION
 © COPYRIGHT BY TYCO ELECTRONICS CORPORATION. ALL RIGHTS RESERVED.

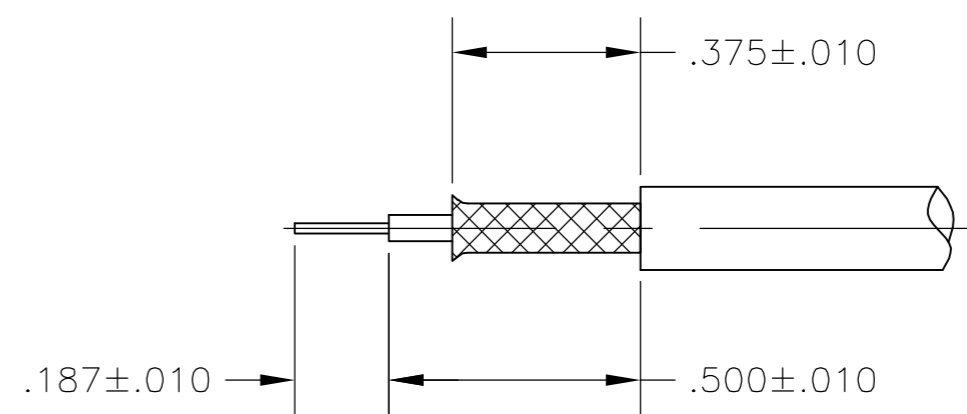
LOC	DIST	REVISIONS					
AJ	16	P	LTR	DESCRIPTION	DATE	DWN	APVD
		0		RELEASED PER OS14-0496-04.	14FEB2005	JGH	JL

1. INSTRUCTION SHEET: 408-2299-5.

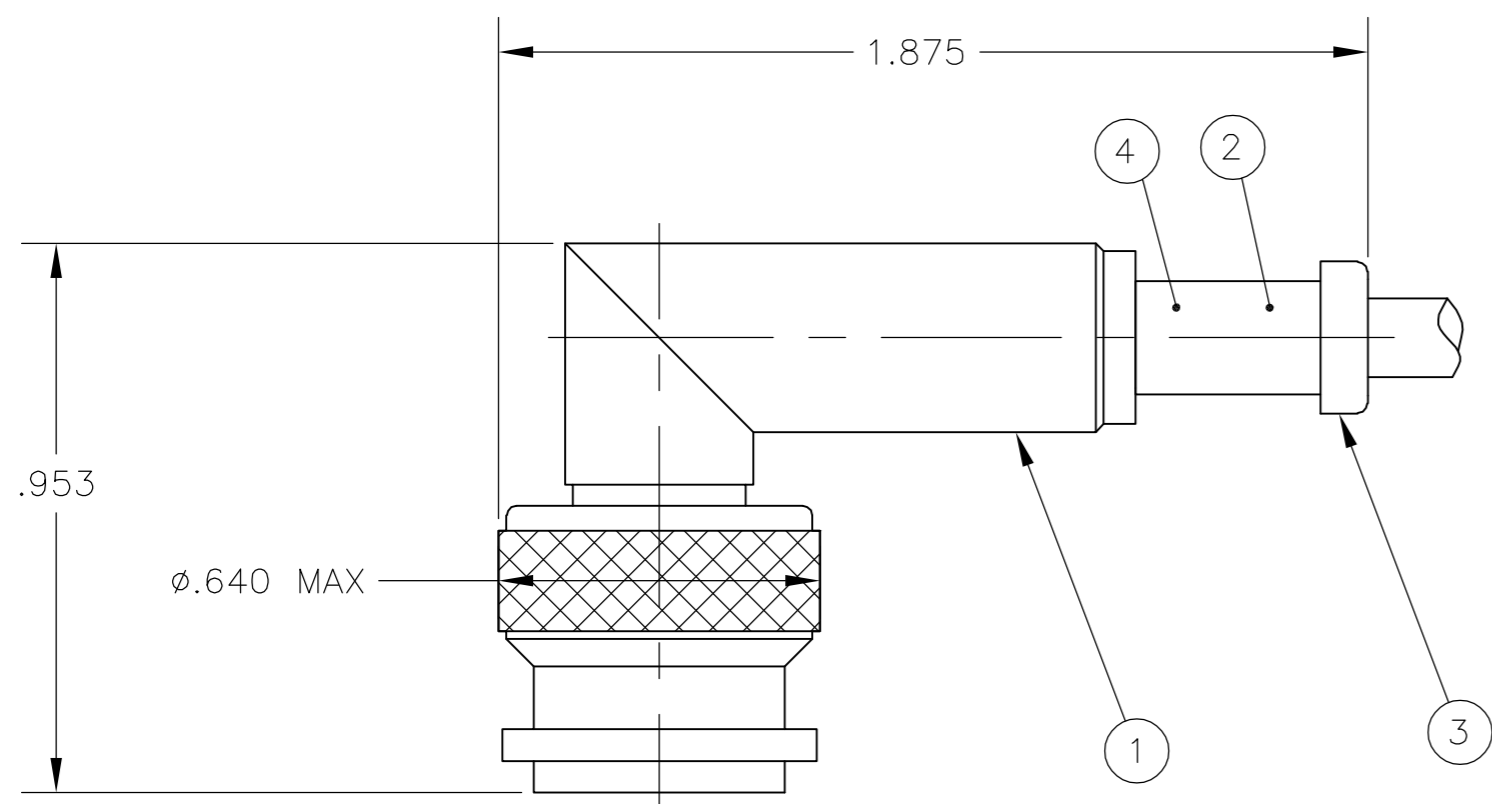


ASSEMBLED VIEW

VIEW Y

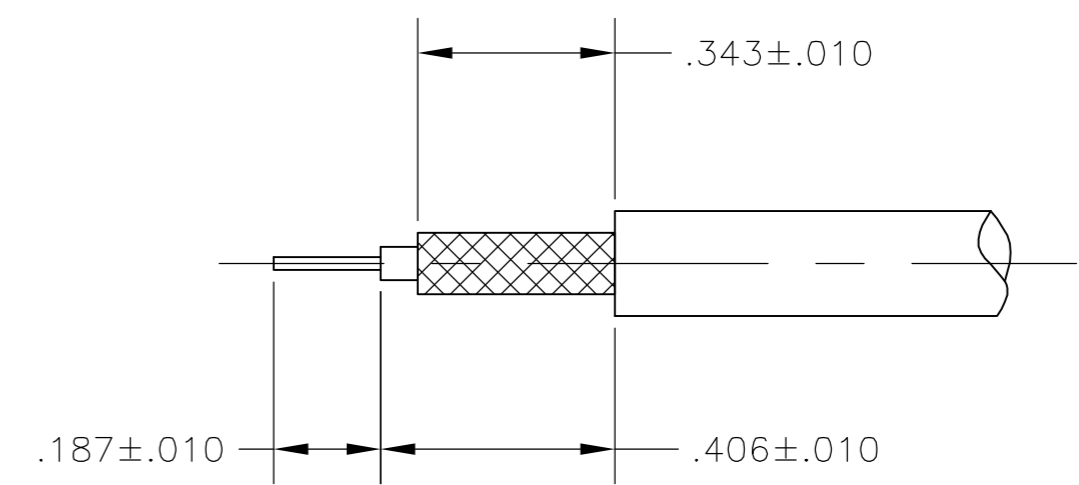


RECOMMENDED STRIP LENGTH



ASSEMBLED VIEW

VIEW X



RECOMMENDED STRIP LENGTH

RG 8/U & 213/U	220015-1	Y	332022	9-331987-0	225599-1	5-225518-2	5225559-8
RG 58A/U & 58C/U	220045-2	X	225592-1	9-225560-1	225471-1	5-225518-0	5225559-2
CABLE	HAND TOOL	VIEW	④ SEAL QTY: 1	③ FERRULE QTY: 1	② CONTACT QTY: 1	① PLUG ASSEMBLY QTY: 1	PART NUMBER

THIS DRAWING IS A CONTROLLED DOCUMENT.

DWN	J. HAVENER	07FEB2005	Tyco Electronics Corporation Harrisburg, Pa 17105-3608
CHK	J. HAVENER	14FEB2005	
APVD	J. LIPPERT	14FEB2005	
PRODUCT SPEC			
APPLICATION SPEC			NAME
WEIGHT	-		SIZE
CUSTOMER DRAWING			CAGE CODE
			DRAWING NO
			RESTRICTED TO
			SCALE
			SHEET
			OF
			REV

CONNECTOR, COAX, R.F. SERIES
TNC DUAL CRIMP, RIGHT ANGLE PLUG, WEATHER PROOF

A2 00779 C=5225559

SCALE 3:1 SHEET 1 OF 1 REV 0