



Series PB

Technical specifications

Operating force	ca 300cN (with tactile feeling)
Contact resistance	0,1 Ω max
Insulating resistance	10 ³ M Ω
Dielectric strength	500V~
Electrical rating (ohmic resistance)	0,1 A/50 V \approx
Max. current	0,5 A (not switchable)
Temperature	-20 to +80°C
Life cycle (mechanical)	10 ⁶ operations
Shock	50g, 11 ms
Vibration	15g, 10-2.000 Hz
Weight	ca. 2 g
Materials:	
Housing material	PPO (Noryl)
Contacts	High-quality gold alloy
Printed circuit board	FR3 PCB, copper-plated; Au over Nii
Mounting	Front-mounting, snap-in endcaps. Mounting of units through integrated pins.
Stops	setting through factory only
Terminal	Solder pins: 0,6x0,6 (spacing 2,54)

For detailed information and the layout of the details described above, please do not hesitate to ask for our technical specifications and drawing.

Switching position	Window cutout	Number height
10	B = 3 H = 4	3

Features

- Selector switch, just 6 mm wide for compact construction of multiplemodule rows
- 10 switching positions
- Connection via solder pins

Codes (2)

Switching position	Code	Readout	Truth table-no. (refer to description)	PCB terminal	Code
10	BCD	0-9	1	1	C
10	BCD-Complement	0-9	11	5	E
10	Single pole repeating	+/- alt.	4	2	P

Terminals (3)

Terminals	Code
Solder pins	1

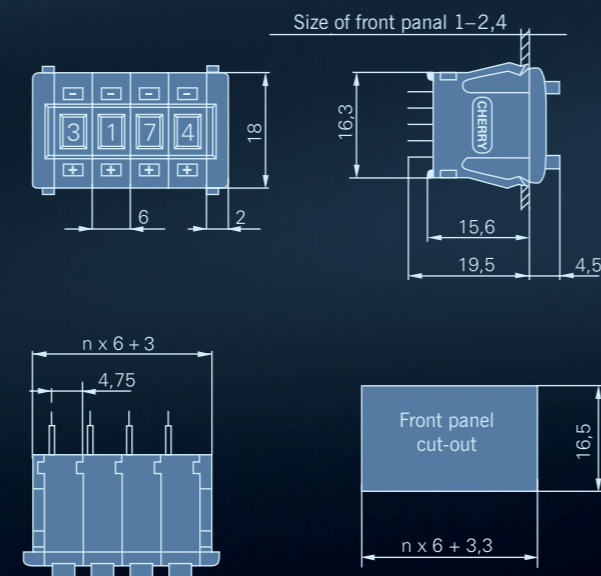
Accessories

	Stock codes
Endcap left	609-1346
Endcap right	609-1347
Housing, 6 mm	609-1348

PCB versions (4)

PCB version	Code
PCB flush with housing with solder pins	E

Dimensions in mm



PCB-Terminals

