

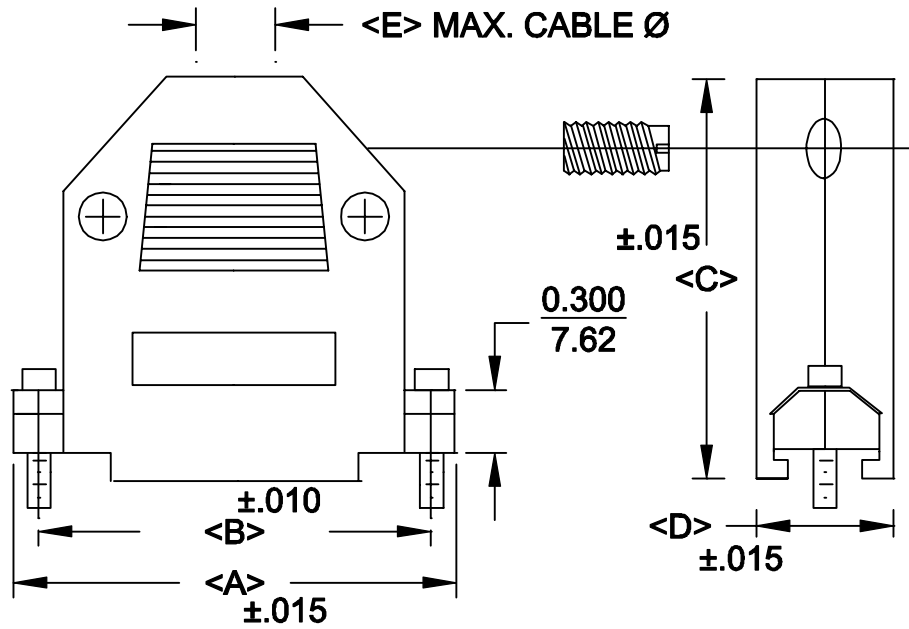
DESCRIPTION: **978 SERIES D-SUB BACKSHELL**

BACKSHELL KIT INCLUDES:

- (2) BACKSHELL HALVES
- (2) 4-40 MOUNTING SCREWS
- (2) SADDLE WASHERS
- (2) HOUSING SCREWS
- (2) 4-40 HOUSING NUTS
- (1) STRAIN RELIEF THREADED ROD

978-XXX-XXX-XX1


SERIES _____
 POSITIONS _____
 009 _____
 015 _____
 025 _____
 037 _____
 050 _____
 MATERIAL _____
 010 = PLASTIC
 020 = METALIZED PLASTIC
 COLOR: _____
 03 = GREY
 12 = NICKEL OVER COPPER
 PUT-UPS _____
 1 = KIT



POS	A	B	C	D	E
9	1.220	.984	1.693	.655	.276
	31.00	24.99	43.00	16.64	7.00
15	1.535	1.312	1.693	.655	.315
	39.00	33.32	43.00	16.64	8.00
25	2.118	1.852	1.929	.655	.374
	54.00	47.04	49.00	16.64	9.50
37	2.756	2.500	1.929	.655	.433
	70.00	63.50	49.00	16.64	11.00
50	2.650	2.406	1.909	.655	.551
	67.30	61.11	48.50	16.64	14.00

METALIZED PLASTIC:
 MATERIAL: ABS HIGH TEMPERATURE 94HB
 METALIZED PLATING: CHROME

PLASTIC:
 MATERIAL: ABS HIGH TEMPERATURE 94HB
 GREY

	THESE DRAWINGS AND SPECIFICATIONS ARE THE PROPERTY OF NorComp AND SHALL NOT BE REPRODUCED, COPIED OR USED AS THE BASIS FOR THE MANUFACTURE OR SALE OF APPARATUS WITHOUT WRITTEN PERMISSION.		DRAWN: PAM JENKINS	DATE: 8-6-98
			CHECKED:	DATE:
NorComp			SCALE	SHEET OF
			DWG NO. 978-XXX-0X0-XX1	