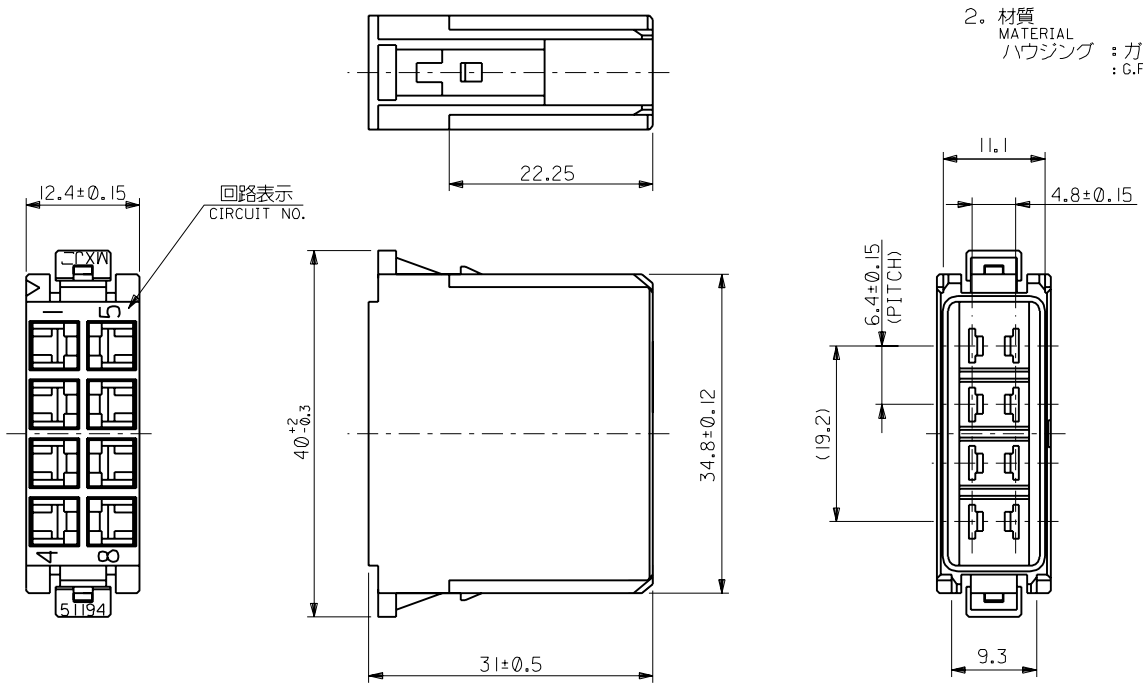


DWG. NO.
SD-51194-002

注記
NOTES.

- 適合ターミナル : 50638-9*49 (被覆外径 $\phi 2.8 \sim \phi 3.8$)
: 59320-9*90 (被覆外径 $\phi 2.2 \sim \phi 2.7$)
APPLICABLE TERMINAL : 50638-9*49 (INSULATION DIAMETER $\phi 2.8 \sim \phi 3.8$)
: 59320-9*90 (INSULATION DIAMETER $\phi 2.2 \sim \phi 2.7$)
- 材質
MATERIAL
ハウジング : ガラス入りナイロン66 UL94V-0 色 : 自然色
: G.F. NYLON UL94V-0 COLOR : NATURAL



DO NOT SCALE DRAWING

EC NO. DRWN: CHK: APPR:	REVISED '99/07/28 EC NO. JD00118 DRWN: SAKIYAMA CHK: YOJITO APPR: HIKESUGI	REVISED '99/03/25 EC NO. JD91284 DRWN: SAKIYAMA CHK: YOJITO APPR: HIKESUGI	REVISED '98/12/23 EC NO. JD90894 DRWN: Y.TETSUKA CHK: SAKIYAMA/YOJITO APPR: HIKESUGI	RELEASED '98/9/9 EC NO. JD90376 DRWN: JMIYAZAWA CHK: YOJITO APPR: HIKESUGI	MATERIAL 材料 注記参照 SEE NOTES.	GENERAL TOLERANCES: (UNLESS SPECIFIED) 一般公差	SCALE 2-1	DESIGN UNITS <input checked="" type="checkbox"/> mm <input type="checkbox"/> INCH	THIRD ANGLE PROJECTION	DRAWN BY & DATE <i>Sh. Oka</i> '98/9/9	TITLE: POWER CONN. 8P PIN HOUSING
FINISH 仕上り						10 UNDER 未満	+0.2	CHECKED BY & DATE <i>Sh. Oka</i>		APPROVED BY & DATE <i>Sh. Oka</i>	
WIRE RANGE 適用線径範囲						10 OVER 以上	+0.25			CAD FILE NAME 51194002.S01	
INS. RANGE 被覆外径						30 OVER 以上	+0.3			MATERIAL NO. SEE CHART	
REV						ANGLE 角度	+3°			DRAWING NO. SD-51194-002	
						THIS DRAWING CONTAINS INFORMATION THAT IS PROPRIETARY TO MOLEX INCORPORATED AND SHOULD NOT BE USED WITHOUT WRITTEN PERMISSION.					SHEET NO. 1 OF 1
											SIZE B

51194-0800	51194-0800
MATERIAL NO	MODEL NO

DIMENSIONS:	SHT	REV
<input type="checkbox"/> mm <input type="checkbox"/> INCH <input checked="" type="checkbox"/> mm ONLY		REVISE ON CAD ONLY