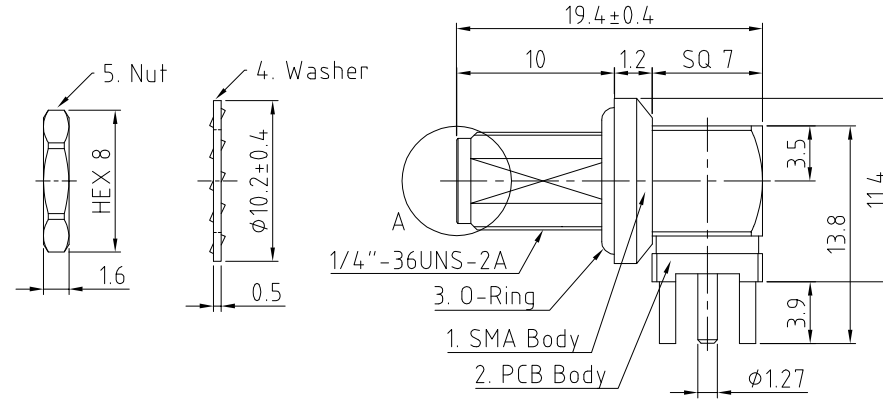


RFPC-SMA24-FN: Stainless Steel RP SMA Right Angle Bulkhead Jack With O-ring, PCB Connector, Rated to IP67/68, 6GHz

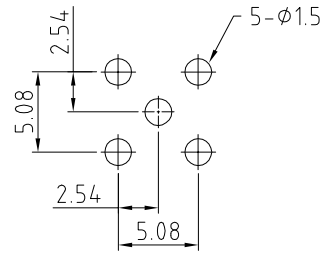
Material and Plating:

- 1. SMA Body: Stainless Steel, Passivated
- Insulator A: Teflon
- Insulator B: Teflon
- Insulator C: Teflon
- Washer: Brass, Nickel Plated
- Gasket A: Silicone
- Gasket B: Silicone
- Pin: Brass, Gold Plated
- 2. PCB Body: Brass, Gold Plated
- 3. O-Ring: See P/N Options
- 4. Lock Washer: Stainless Steel, Passivated.
- 5. Nut: Stainless Steel, Passivated

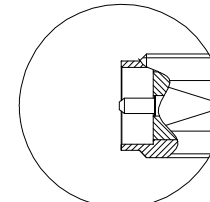
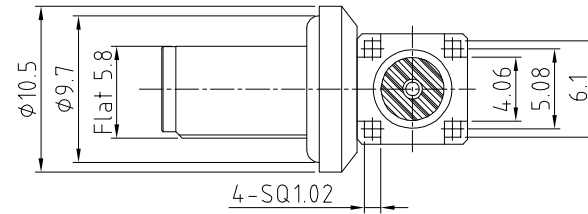


Environmental:

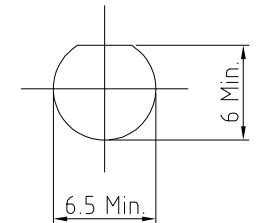
- A. Rated to:
 - i. IP6X - Dust tight - No particle ingress.
 - ii. IPX7 Waterproof for 30 minutes up to 1 meter underwater.
 - iii. IPX8 Waterproof for 48 hours at 1 meter underwater



Recommended PCB Hole Layout



Detail A



Recommended Mounting Hole
(Recommended Maximum Panel Thickness: 2.0mm)

Notes:

- 1. Working Frequency Range: DC-6GHz.
- 2. Operating Temperature : -55°C to +155°C.
- 3. Please use the recommended torque forces for stainless connectors. This is published on Gradconn.com resources page.
- 4. Impedance: 50 Ohm.

HOW TO ORDER
RFPC - SMA24 - FN - X - X

WASHER AND NUT OPTIONS:
BLANK = SEPARATELY PACKED (STANDARD)
A = ALL ASSEMBLED WITH CONNECTOR

O-RING MATERIAL OPTIONS:
E = EPDM, COLOR: BLACK
S = SILICONE, COLOR: RED

REV. DATE & DRN
1.0 24/02/23 - NYW RELEASE

Scale: NTS	THIRD ANGLE	Unstated .X ±0.20 .XX ±0.10 .XXX ±0.06 ANGLES ±2°	Tolerances:
Drawn: NYW			
App'd: XXX	Title SMA PCB Connector		
Date: 24 FEB. '23	Revision: 1.0	Unit: mm	



IP67/68 Rated Cables

www.gradconn.com

THIS DRAWING IS CONFIDENTIAL AND MUST NOT BE COPIED OR DISCLOSED WITHOUT WRITTEN CONSENT

Type: RFPC-SMA24-FN
RFPC-SMA24-FN
Drawing Number:
Sheet 1 of 1
Drawing © E and O E