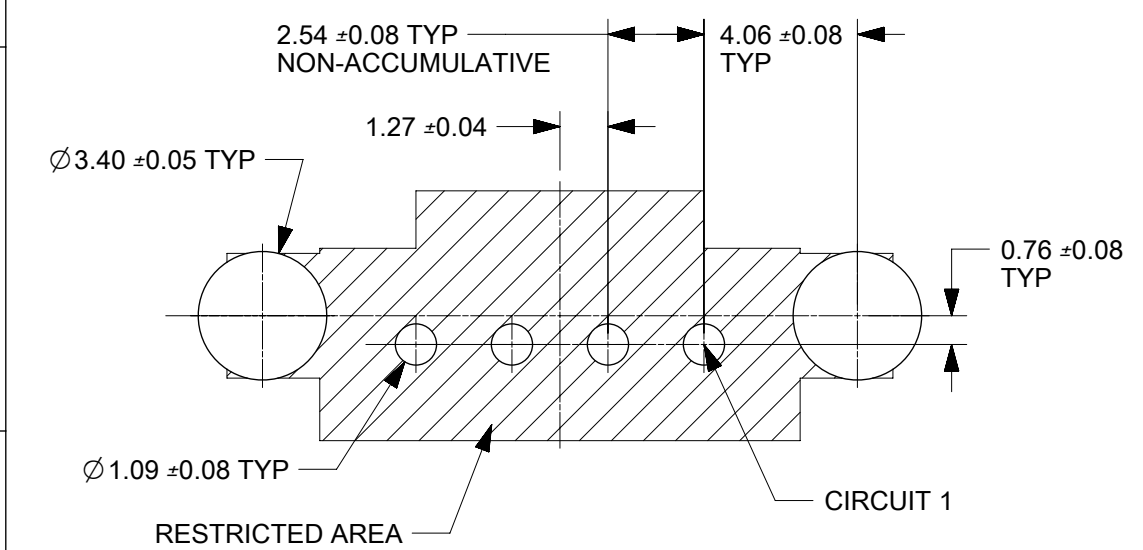
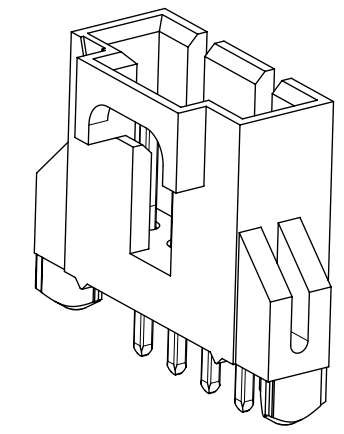
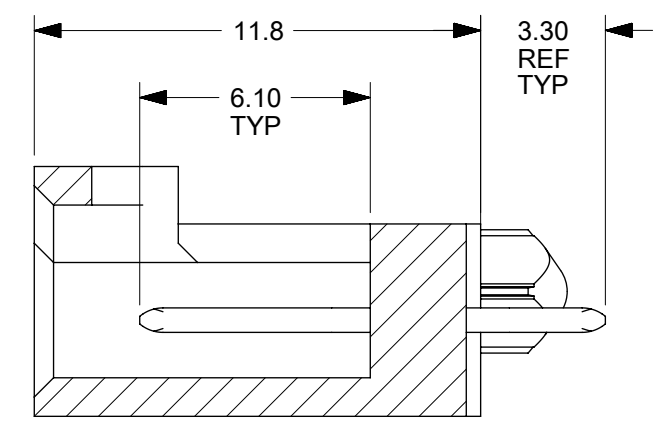
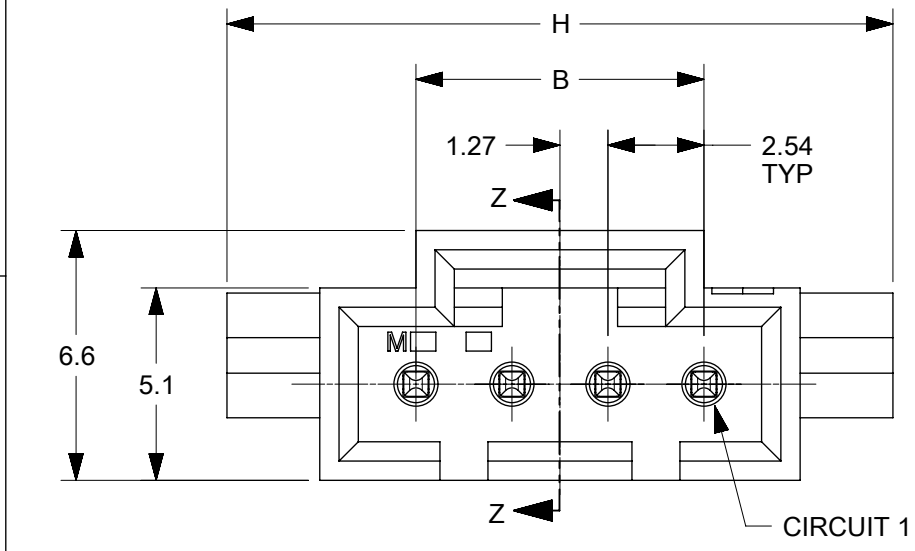


- NOTES:
- HOUSING MATERIAL: (LCP) LIQUID CRYSTAL POLYMER
UL94V-0, COLOR: BLACK
 - PIN MATERIAL: BRASS
 - PLATINGS:
MATTE TIN - 2.54 MICROMETERS MINIMUM MATTE TIN OVER NICKEL
0.38 GOLD - SELECT GOLD IN MATING AREA: 0.38 MICROMETERS MINIMUM
SELECT MATTE TIN IN TAIL AREA: 2.0 MICROMETERS MINIMUM
WITH OVERALL NICKEL UNDERPLATE
0.75 GOLD - SELECT GOLD IN MATING AREA: 0.75 MICROMETERS MINIMUM
SELECT MATTE TIN IN TAIL AREA: 2.0 MICROMETERS MINIMUM
WITH OVERALL NICKEL UNDERPLATE
 - PRODUCT SPECIFICATION: 1719710000-PS AND PS-70400
 - PACKAGING SPECIFICATION: TUBES PER 1719710000-PK
 - HEADER MATES WITH: OPTION "G" 70400 AND 70430
SERIES SL CONNECTORS.
 - COSMETIC SPECIFICATION: PS-45499-002 CLASS B
 - SOLDERABILITY PER SMES-152 LEAD FREE ALLOY

CIRCUIT SIZE	A	B
2	12.54	2.54
3	15.08	5.08
4	17.62	7.62
5	20.16	10.16
6	22.70	12.70
7	25.24	15.24
8	27.78	17.78
9	30.32	20.32
10	32.86	22.86
11	35.40	25.40
12	37.94	27.94
13	40.48	30.48
14	43.02	33.02
15	45.56	35.56
16	48.10	38.10
17	50.64	40.64
18	53.18	43.18
19	55.72	45.72
20	58.26	48.26
21	60.80	50.80
22	63.34	53.34
23	65.88	55.88
24	68.42	58.42
25	70.96	60.96



RECOMMENDED PC BOARD LAYOUT
(FOR USE WITH 1.57 THICK BOARD)

SYMBOLS	THIS DRAWING CONTAINS INFORMATION THAT IS PROPRIETARY TO MOLEX ELECTRONIC TECHNOLOGIES, LLC AND SHOULD NOT BE USED WITHOUT WRITTEN PERMISSION		CURRENT REV DESC: REV PER QUAL		molex		
	DIMENSION UNITS	SCALE					
▽ = 0	mm	5:1	EC NO: 174678		SL VERTICAL HEADER W/LATCH W/PEGS		
▽ = 0	GENERAL TOLERANCES (UNLESS SPECIFIED)		DRWN: KSAMIEC	2018/03/30			
▽ = 0	ANGULAR TOL ± 0.5°		CHK'D: MKIPPER	2018/04/09	PRODUCT CUSTOMER DRAWING		
▽ = 0	4 PLACES ±		APPR: FSMITH	2018/04/11			
▽ = 0	3 PLACES ±		INITIAL REVISION:		DOCUMENT NUMBER		
▽ = 0	2 PLACES ± 0.25		DRWN: MKIPPER	2016/05/05			
▽ = 0	1 PLACE ± 0.36		APPR: FSMITH	2016/07/15	DOC TYPE	DOC PART	REVISION
▽ = 0	0 PLACES ±		DRAFT WHERE APPLICABLE MUST REMAIN WITHIN DIMENSIONS		PSD	000	C1
▽ = 0	THIRD ANGLE PROJECTION		DRAWING	SERIES	MATERIAL NUMBER	CUSTOMER	SHEET NUMBER
▽ = 0	B-SIZE		171972	SEE CHART	GENERAL MARKET	1 OF 2	

PLATING:	MATTE TIN	0.38 GOLD	0.75 GOLD
CIRCUIT SIZE	MATERIAL NUMBER	MATERIAL NUMBER	MATERIAL NUMBER
2	171972-0002	171972-0102	171972-0202
3	171972-0003	171972-0103	171972-0203
4	171972-0004	171972-0104	171972-0204
5	171972-0005	171972-0105	171972-0205
6	171972-0006	171972-0106	171972-0206
7	171972-0007	171972-0107	171972-0207
8	171972-0008	171972-0108	171972-0208
9	171972-0009	171972-0109	171972-0209
10	171972-0010	171972-0110	171972-0210
11	171972-0011	171972-0111	171972-0211
12	171972-0012	171972-0112	171972-0212
13	171972-0013	171972-0113	171972-0213
14	171972-0014	171972-0114	171972-0214
15	171972-0015	171972-0115	171972-0215
16	171972-0016	171972-0116	171972-0216
17	171972-0017	171972-0117	171972-0217
18	171972-0018	171972-0118	171972-0218
19	171972-0019	171972-0119	171972-0219
20	171972-0020	171972-0120	171972-0220
21	171972-0021	171972-0121	171972-0221
22	171972-0022	171972-0122	171972-0222
23	171972-0023	171972-0123	171972-0223
24	171972-0024	171972-0124	171972-0224
25	171972-0025	171972-0125	171972-0225

SYMBOLS	THIS DRAWING CONTAINS INFORMATION THAT IS PROPRIETARY TO MOLEX ELECTRONIC TECHNOLOGIES, LLC AND SHOULD NOT BE USED WITHOUT WRITTEN PERMISSION													
	DIMENSION UNITS		SCALE		CURRENT REV DESC: REV PER QUAL									
	mm		1:1		molex SL VERTICAL HEADER W/LATCH W/PEGS PRODUCT CUSTOMER DRAWING									
	GENERAL TOLERANCES (UNLESS SPECIFIED)										EC NO: 174678		2018/03/30	
	ANGULAR TOL ± 0.5°										DRWN: KSAMIEC		2018/04/09	
	4 PLACES ±		3 PLACES ±		CHK'D: MKIPPER		2018/04/11		APPR: FSMITH					
	3 PLACES ±		2 PLACES ± 0.25		INITIAL REVISION:									
	2 PLACES ± 0.36		1 PLACE ±		DRWN: MKIPPER		2016/05/05		DOCUMENT NUMBER					
	1 PLACE ±		0 PLACES ±		APPR: FSMITH		2016/07/15		1719720000-SD					
	0 PLACES ±		DRAFT WHERE APPLICABLE MUST REMAIN WITHIN DIMENSIONS		THIRD ANGLE PROJECTION		DRAWING		SERIES					
B-SIZE		171972		MATERIAL NUMBER		CUSTOMER		SHEET NUMBER						
SEE CHART		GENERAL MARKET		2 OF 2										

DOCUMENT STATUS	P1	RELEASE DATE	2018/04/11	17:48:37
-----------------	----	--------------	------------	----------