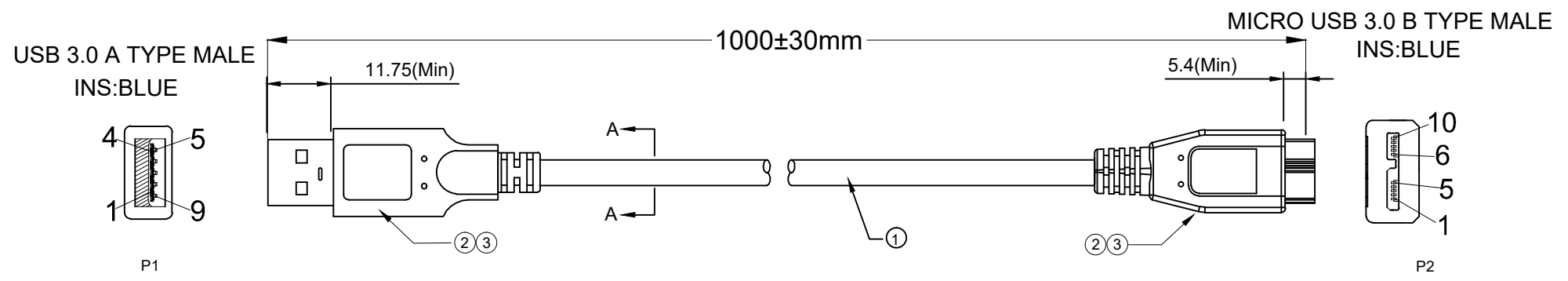


RoHS REACH Compliant



**NOTES:**

1. CABLE: UL 2725 [28AWG(7/0.127TC)\*1P+D28AWG(7/0.127TC)+AL/MY]\*2C+28AWG(7/0.127TC)\*1P+28AWG(7/0.127TC)\*2C +D28AWG(7/0.127TC)+AL/MY+B(85% COVERAGE ALM) OD=5.5±0.20mm JACKET COLOR: BLACK HIGH SPEED USB3.0 CABLE AWM STYLE 20276 80 °C 30V VW-1 YWD

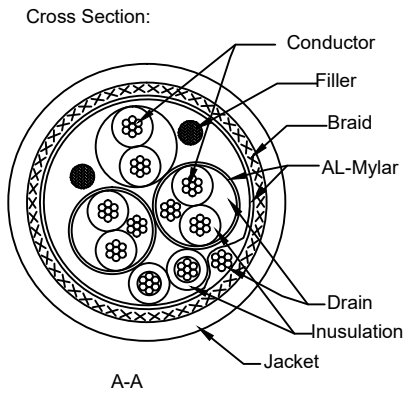
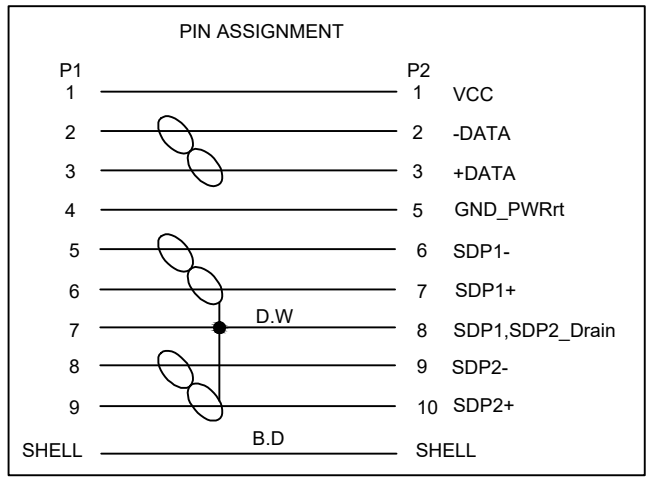
**2. CONNECTOR:**

P1 : USB 3.0 A/M, SOLDER, BLUE INSULATION, 3u GOLD PLATED CONTACTS, NICKEL PLATED SHELL  
 P2 : MICRO USB 3.0 B/M, SOLDER, BLUE INSULATION, 3u GOLD PLATED CONTACTS, NICKEL PLATED SHELL

3. HOOD: MOLDED TYPE, PVC 45P, COLOR: BLACK.

**4. ELECTRICAL TEST:**

- (1) 100% OPEN SHORT & MIS WIRE TEST.
- (2) CONTACT RESISTANCE 3 ohm Max .
- (3) INSULATION RESISTANCE 10M ohm Min .
- (4) HI-POT TEST: DC 300V/10ms



	Date	Name	Part No. <h2 style="margin: 0;">AK-300116-010-S</h2> EAN:4016032283287
Drawn by	Mar.2,2017	Susan	
checked by	Mar.2,2017	Micheal	
Approved by	Mar.2,2017	Jesse	
<b>ASSMANN</b> Electronic GmbH			Title USB 3.0 A/M - MICRO USB 3.0 B/M CABLE
Scale		N/A	Sheet 1
Unit		MM	