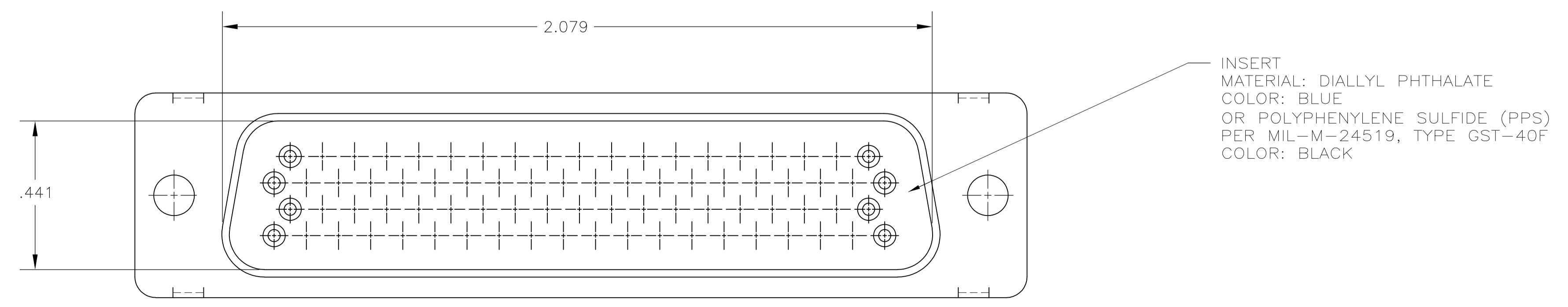
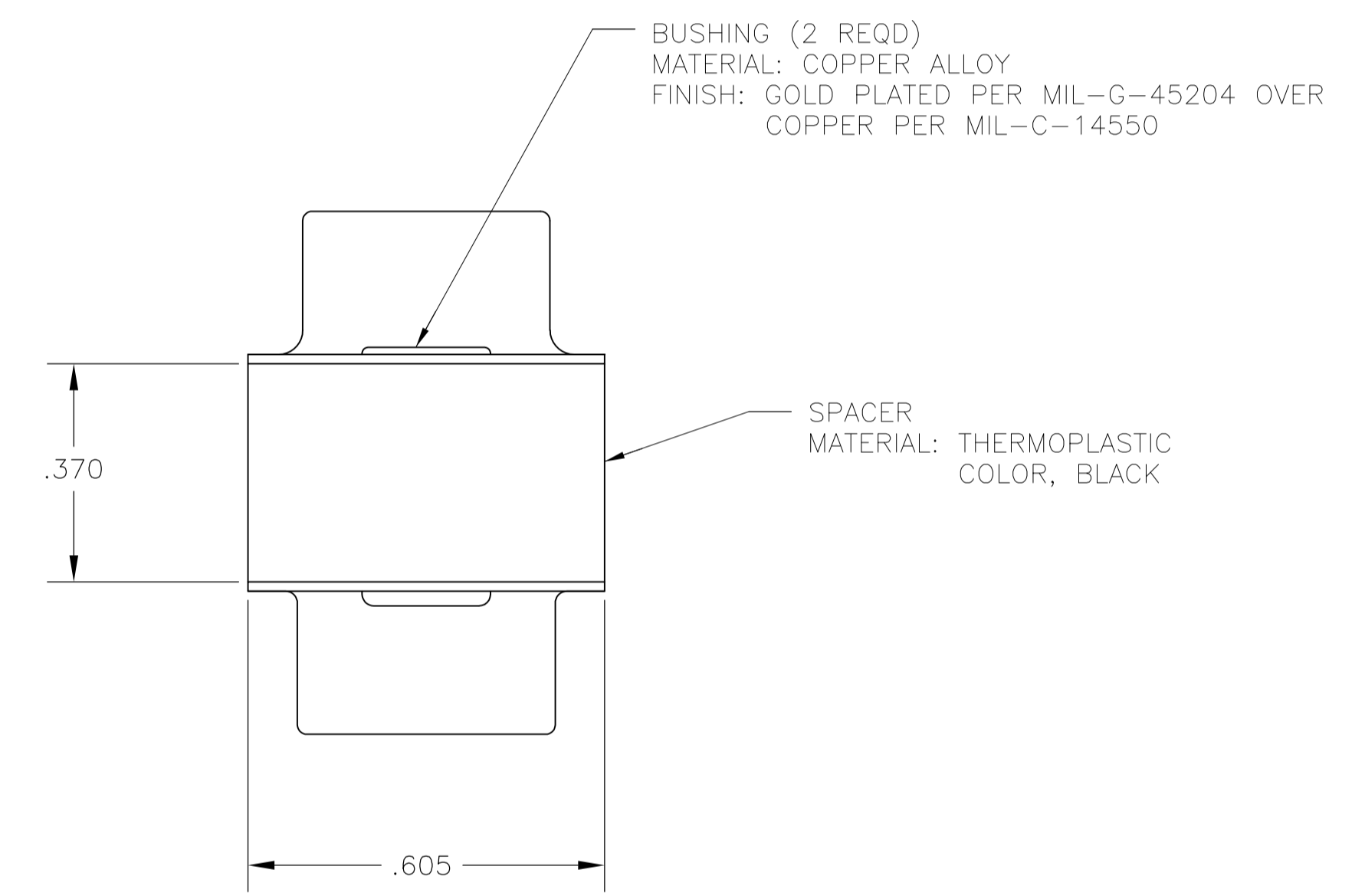
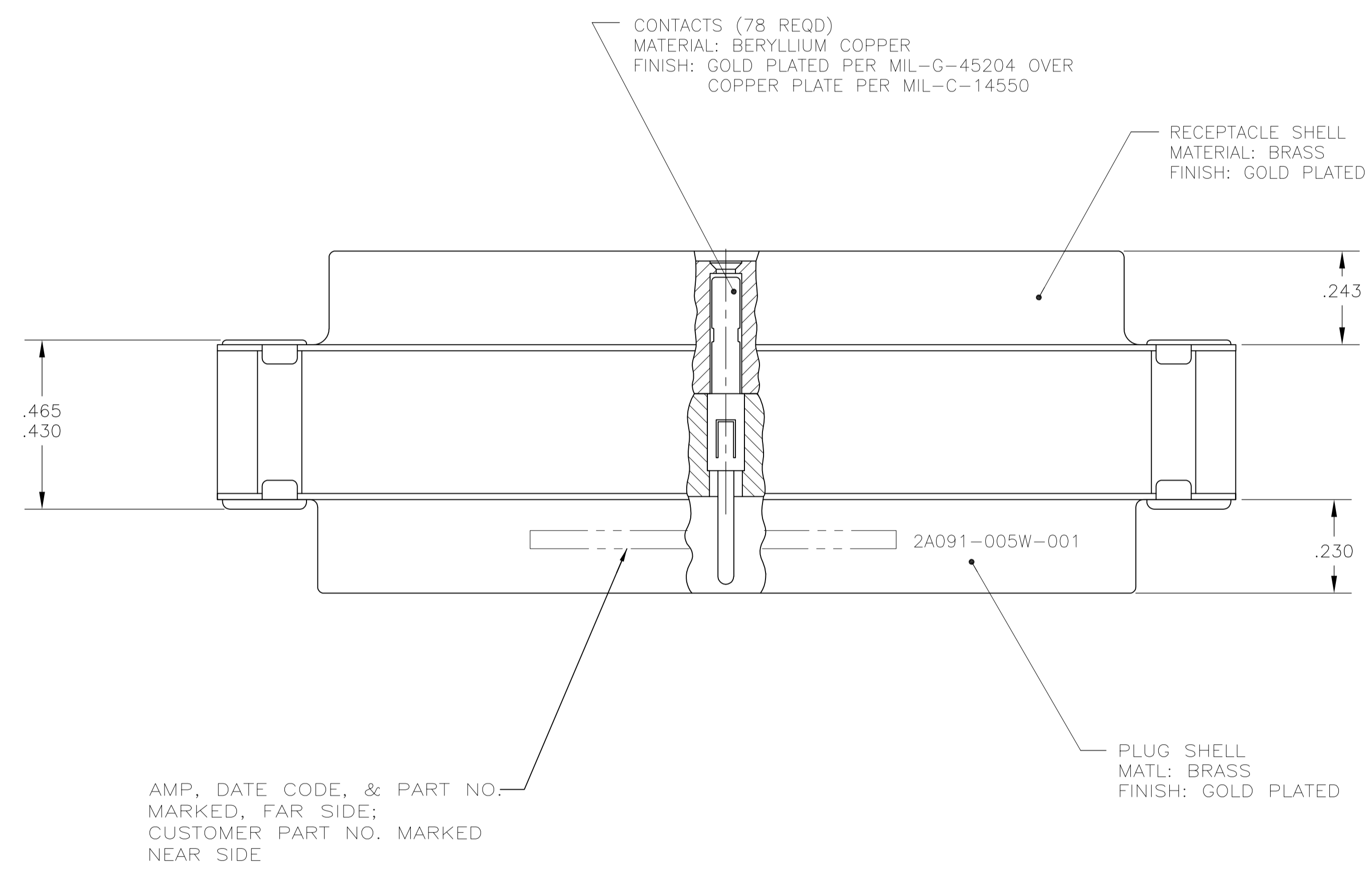
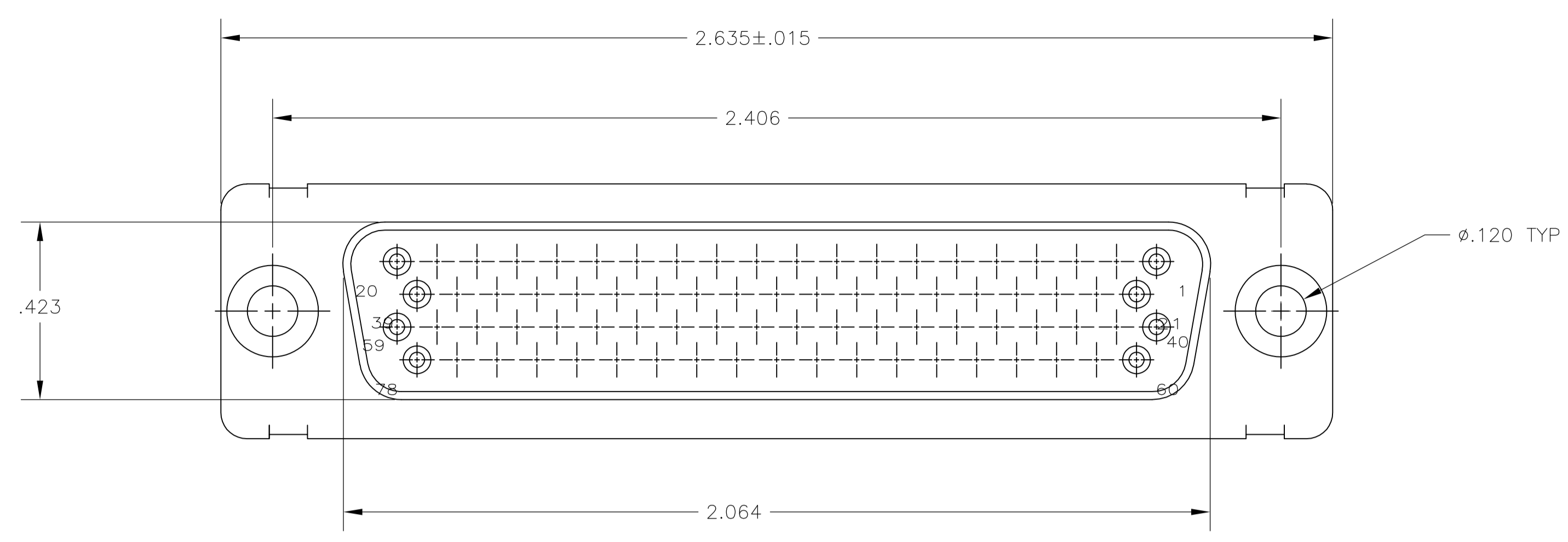


REVISIONS					
P	LTR	DESCRIPTION	DATE	DMN	APVD
G		REV PER ECO 17-000132	5-5-17	CT	DM



211688-1  
PART NO.

THIS DRAWING IS A CONTROLLED DOCUMENT. DIMENSIONING AND TOLERANCING PER ASME Y14.5M (ISO STANDARDS)		DIN P. YEAGER 13APR11	TE Connectivity	
DIMENSIONS: INCHES		CHK R. LEASE 13APR11	NAME	
TOLERANCES UNLESS OTHERWISE SPECIFIED:		APVD R. LEASE 13APR11	PRODUCT SPEC	
0 PLC ± -	1 PLC ± -	APPLICATION SPEC		
2 PLC ± -	3 PLC ± .005	RESTRICTED TO		
4 PLC ± -	ANGLES ± -	SIZE	CAGE CODE	DRAWING NO.
MATERIAL SEE CALLOUTS		FINISH SEE CALLOUTS	WEIGHT 0	A1 00779 C=211688
		CUSTOMER DRAWING		SCALE 4:1 SHEET 1 OF 1 REV G