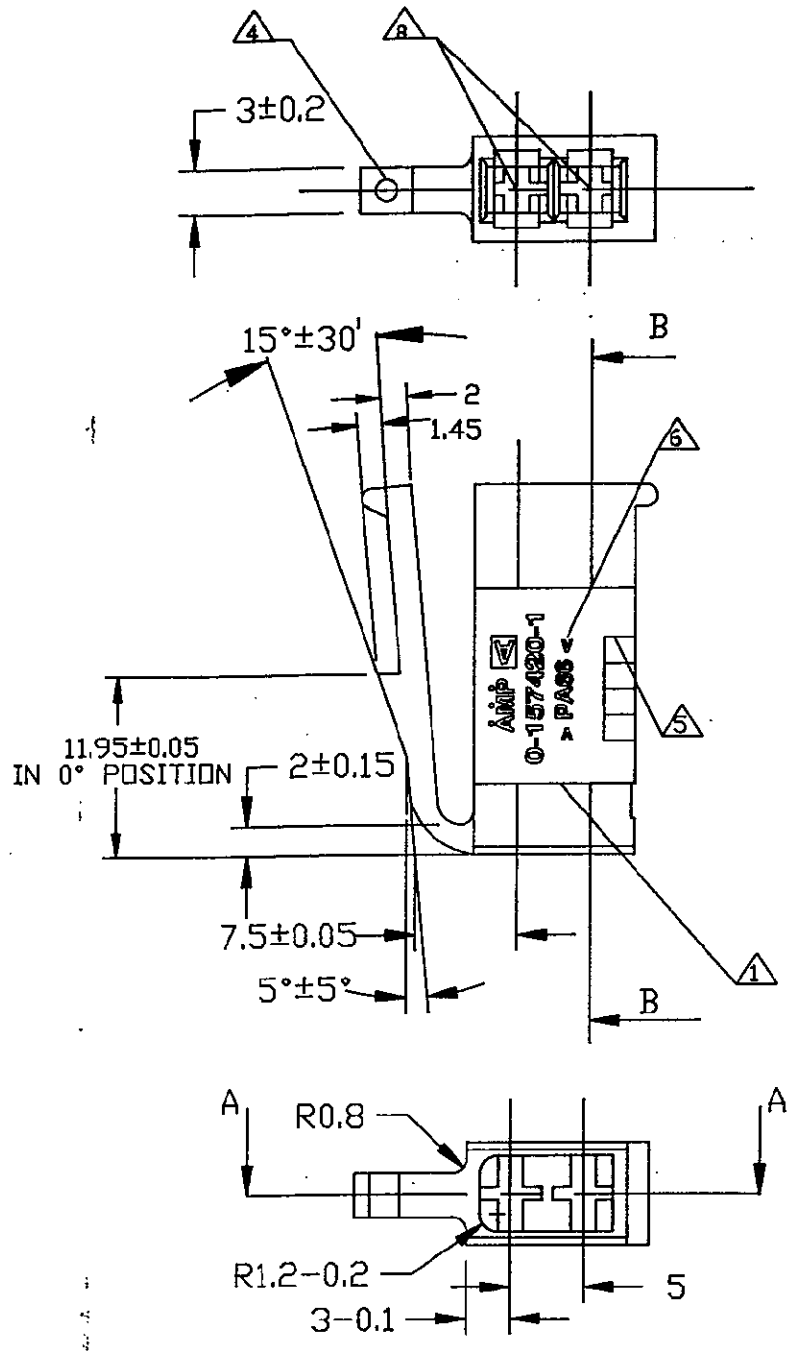
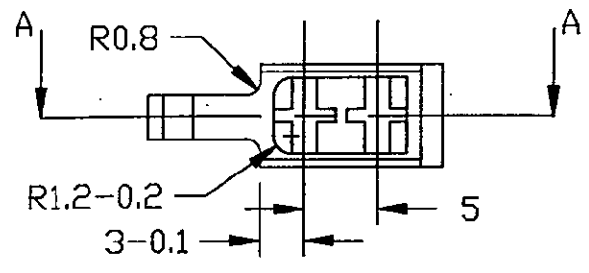
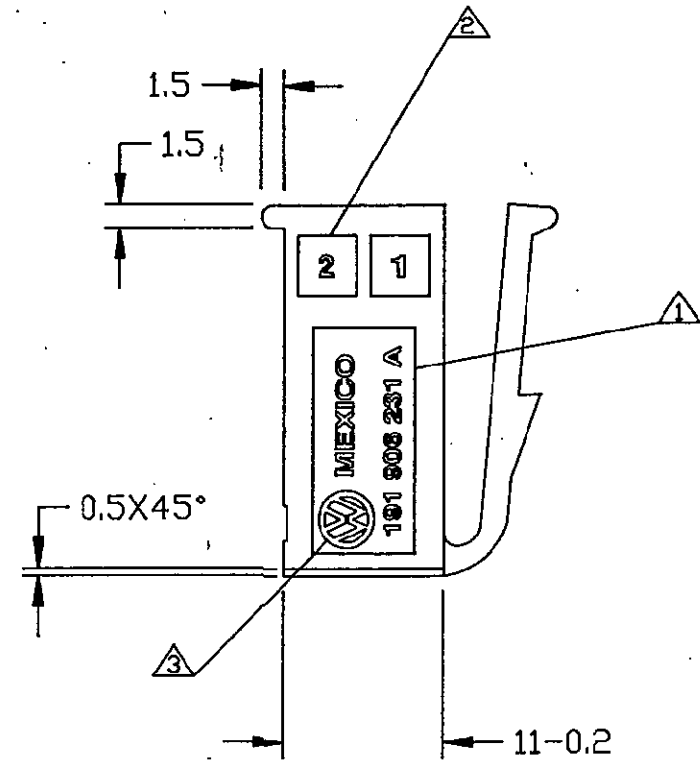
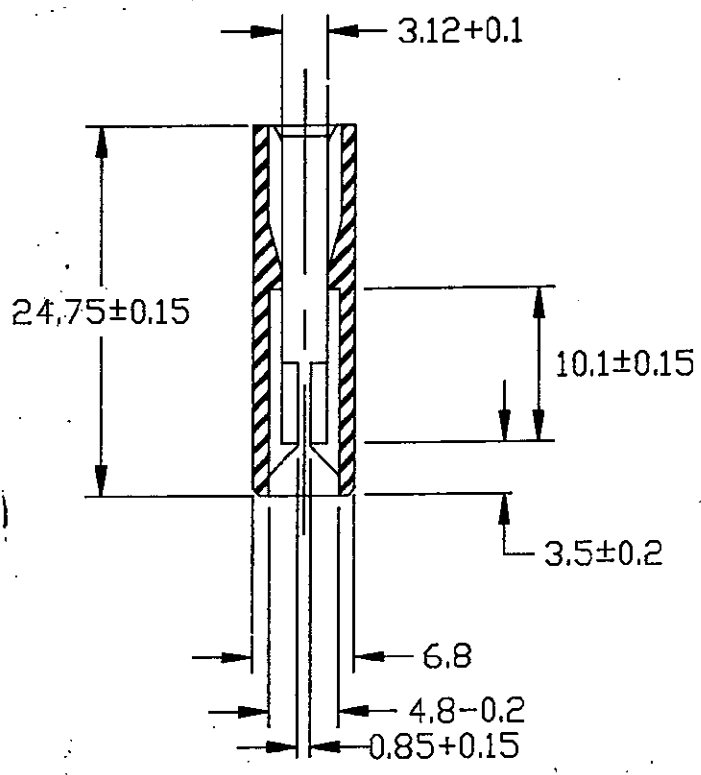


Q

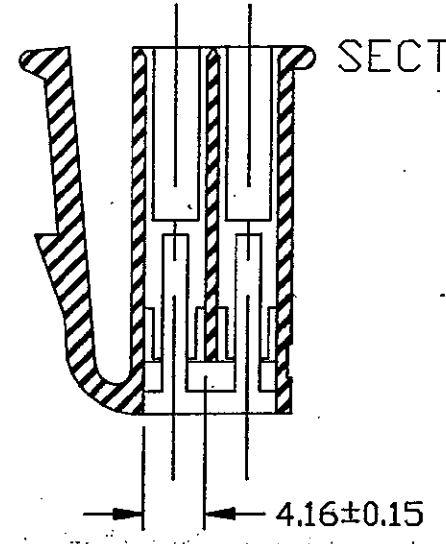
P	LTR	DESCRIPTION	DATE FECHA	DWN DIBUJO	APVD APROBO
	A	EC No. LM-0099-95	31/8/95	M.V.C.	MCH.
	B	EC No. LM-0002-96	16/01/96	M.V.C.	MCH.



SECTION B-B



SECTION A-A



- NOTES:
- ① CHARACTERS DIN 1451-H1.6
 - ② CHARACTERS DIN 1451-H-2
 - ③ CUSTOMER TRADE MARK ACC TO VW 10514-C3.
 - ④ CAVITY MARKING. 1,2,3,4,5,6,7,8.
 - ⑤ PRODUCTION-DATE WITH DATE INSERT TO VW 10560-E1.2
 - ⑥ MATERIAL MARKING (VDA 260).
 - ⑦ ALL RADII 0.5 EXCEPT AS NOTED.
 - ⑧ BURRS PERMITTED 0.03 mm
 - ⑨ BURRS PERMITTED 0.05 mm.
 - ⑩ PIECES CONDITION AT POLT-PURSE WITH 2%+1% DAMPNESS CONTENT.
 - ⚠ ALL TOLERANCES ARE ±0.1 EXCEPT AS NOTED.

191 906 231 A	0-157420-1	BLACK
V.V. No.	AMP No.	COLOUR

<p>THIS DRAWING IS A CONTROLLED DOCUMENT FOR AMP INCORPORATED. IT IS SUBJECT TO CHANGE AND THE CONTROLLING ENGINEERING ORGANIZATION SHOULD BE CONTACTED FOR THE LATEST REVISION. ESTE PLANO ES UN DOCUMENTO CONTROLADO POR AMP INCORPORATED. ESTA SOLETO A CAMBIO Y HAY QUE CONTACTAR AL DEPT. DE INGENIERIA POR LA ULTIMA REVISION.</p>		DWN/DIBUJO M. Valenzuela CHK/CONTROL M. V. C.		<p>AMP AMP de México S.A. Tlalneantla, México.</p>	
DIMENSIONS: MEDIDAS, mm TOLERANCES UNLESS OTHERWISE SPECIFIED: TOLERANCIAS SALVO OTRA INDICACION. 0 PLC/LUG ± 1 PLC/LUG ± 2 PLC/LUG ± 3 PLC/LUG ± 4 PLC/LUG ± ANGLES/ANGULOS ± 2°		APVD/APROBO M.CHAIRESZ PRODUCT SPEC ESPEC. DE PRODUCTO 108-21015 APPLICATION SPEC ESPEC. DE APLICACION		NAME NOMBRE 2 POS. HOUSING FOR J.P.T. CONTACTS	
MATERIAL NYLON 6.6 BLACK FINISH ACABADO		WEIGHT PESO 1.26 g		SIZE TAMAÑO A3 CAGE CODE CODIGO DE CELDA 00779 DRAWING NO PLANO NO C-157420	
		SCALE ESCALA 2:1		SHEET HOJA 1 DE 1 REV B	