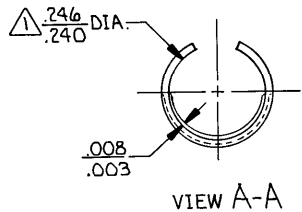
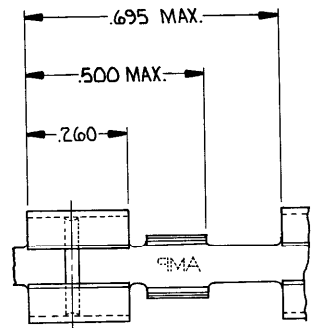


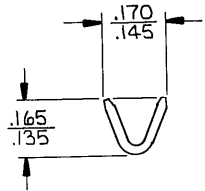
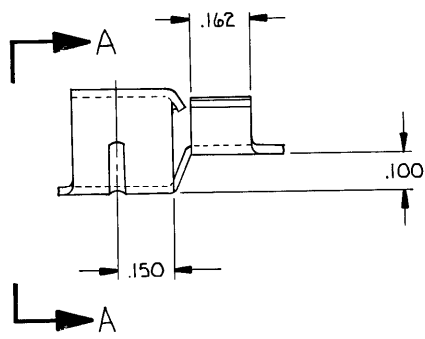
DRAWING MADE IN THIRD ANGLE PROJECTION

THIS DRAWING IS UNPUBLISHED. RELEASED FOR PUBLICATION . 19
© COPYRIGHT 19 BY AMP INCORPORATED, HARRISBURG, PA. ALL INTERNATIONAL RIGHTS RESERVED. AMP PRODUCTS MAY BE COVERED BY U.S. AND FOREIGN PATENTS AND/OR PATENTS PENDING.

REVISIONS					DATE	APPROVED
P	F	ZONE	LTR	DESCRIPTION		
✓		F3		REDWN, WAS LOCATED ON 40626	5-18-87	PKC
		G		REV PER 0710-0827-95		PKC
		G1		REVISED PER ECR-19-018062	11 DEC 2019	SS TD



△ FITS ON .250 ± .003 DIA. PIN.



	.020 BRASS	60654-2
PRE-TIN	.020 BRASS	60654-1
PLATING	MATERIAL	PART NO

UNLESS OTHERWISE SPECIFIED DIMENSIONS ARE IN INCHES. TOLERANCES ON: DECIMALS ± .015 ANGLES ± 1° 0'	CONTRACT NO	TE Connectivity	
	DR <i>Phil Collins 5-18-87</i>	STE	
MATERIAL	CHK <i>Y Beck 5-28-87</i>	NAME	
SEE TABLE	APPD <i>Don Cas...</i>	FUSE RECEPTACLE	
FINISH	DSGN APPD	SIZE B	FSCM NO 00779
SEE TABLE	OTHER APPD	DRAWING NO 60654	SCALE 4:1
		REV - G1	SHEET 1 OF 1

CUSTOMER DRAWING