

1746978-1 ✓ ACTIVE



GRACE INERTIA 6.2

TE Internal #: 1746978-1

Rectangular Power Connectors, Housing, Receptacle, Wire-to-Wire,
3 Position, 6.2 mm [.244 in] Centerline, Wire & Cable, UL 94V-0,
GRACE INERTIA 6.2

[View on TE.com >](#)

Connectors > Power Connectors > Rectangular Power > Rectangular Power Connectors > STD Temp GRACE INERTIA Cap



Rectangular Power Connector Type: **Housing**

Connector & Housing Type: **Receptacle**

Connector System: **Wire-to-Wire**

Number of Positions: **3**

Centerline (Pitch): **6.2 mm [.244 in]**

[All STD Temp GRACE INERTIA Cap \(24\)](#)

Features

Product Type Features

Rectangular Power Connector Type	Housing
Connector & Housing Type	Receptacle
Connector System	Wire-to-Wire
Sealable	No
Connector & Contact Terminates To	Wire & Cable

Configuration Features

Number of Positions	3
Number of Rows	1

Electrical Characteristics

Operating Voltage	600 VDC
-------------------	---------

Body Features

Connector & Keying Code	A
-------------------------	---



Contact Features

Contact Layout	Inline
Contact Base Material	Copper Alloy
Contact Retention Within Housing	Without
Contact Type	Tab

Termination Features

Termination Method to Wire & Cable	Crimp
------------------------------------	-------

Mechanical Attachment

Strain Relief	Without
Mating Alignment Type	Keyed
Mating Retention	Without
Mating Alignment	With
Panel Mount Feature	Without
PCB Mount Retention	Without
Mating Retention Type	Inertia Locking, Latch
Connector Mounting Type	Cable Mount (Free-Hanging)

Housing Features

Centerline (Pitch)	6.2 mm [.244 in]
Housing Color	Natural
Housing Material	Nylon 66

Dimensions

Connector Height	11.7 mm [.46 in]
Product Length	20.4 mm [.802 in]

Usage Conditions

Operating Temperature Range	-30 – 105 °C [-22 – 221 °F]
-----------------------------	-----------------------------

Operation/Application

Circuit Application	Power & Signal
---------------------	----------------

Industry Standards

UL Flammability Rating	UL 94V-0
Glow Wire Rating	Standard Part - Not Glow Wire

Packaging Features

Packaging Quantity	400
--------------------	-----



Packaging Method

Bag

Product Compliance

[For compliance documentation, visit the product page on TE.com>](#)

EU RoHS Directive 2011/65/EU	Compliant
EU ELV Directive 2000/53/EC	Compliant
China RoHS 2 Directive MIIT Order No 32, 2016	No Restricted Materials Above Threshold
EU REACH Regulation (EC) No. 1907/2006	Current ECHA Candidate List: JUNE 2023 (235) Candidate List Declared Against: JAN 2023 (233) Does not contain REACH SVHC
Halogen Content	Low Halogen - Br, Cl, F, I < 900 ppm per homogenous material. Also BFR/CFR/PVC Free
Solder Process Capability	Not applicable for solder process capability

Product Compliance Disclaimer

This information is provided based on reasonable inquiry of our suppliers and represents our current actual knowledge based on the information they provided. This information is subject to change. The part numbers that TE has identified as EU RoHS compliant have a maximum concentration of 0.1% by weight in homogenous materials for lead, hexavalent chromium, mercury, PBB, PBDE, DBP, BBP, DEHP, DIBP, and 0.01% for cadmium, or qualify for an exemption to these limits as defined in the Annexes of Directive 2011/65/EU (RoHS2). Finished electrical and electronic equipment products will be CE marked as required by Directive 2011/65/EU. Components may not be CE marked. Additionally, the part numbers that TE has identified as EU ELV compliant have a maximum concentration of 0.1% by weight in homogenous materials for lead, hexavalent chromium, and mercury, and 0.01% for cadmium, or qualify for an exemption to these limits as defined in the Annexes of Directive 2000/53/EC (ELV). Regarding the REACH Regulation, the information TE provides on SVHC in articles for this part number is based on the latest European Chemicals Agency (ECHA) 'Guidance on requirements for substances in articles' posted at this URL: <https://echa.europa.eu/guidance-documents/guidance-on-reach>

Compatible Parts



TE Part # CAT-G7534-T111
GRACE INERTIA Tab



TE Part # 1747995-2
GHC EYELET 6.2 3POS PLUG HOUSING RED

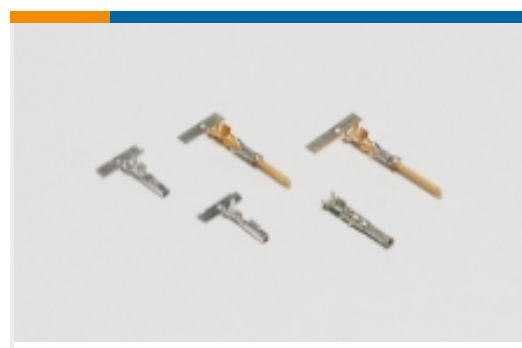


TE Part # CAT-G7534-P729
STD Temp GRACE INERTIA Plug



TE Part # CAT-G7534-R2435
GRACE INERTIA Receptacle

Also in the Series | GRACE INERTIA 6.2



Power Contacts(4)

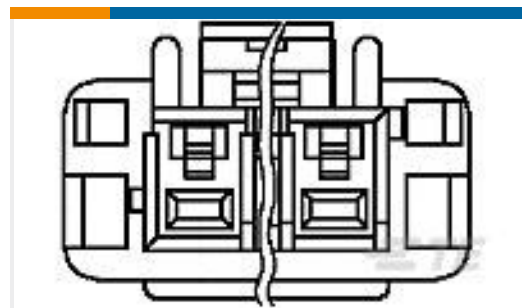
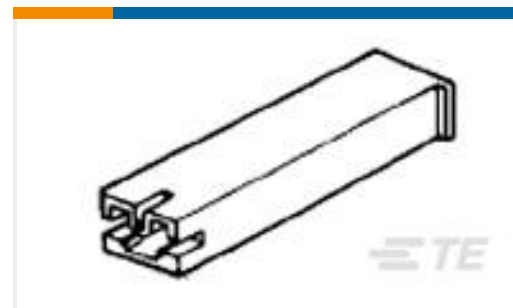
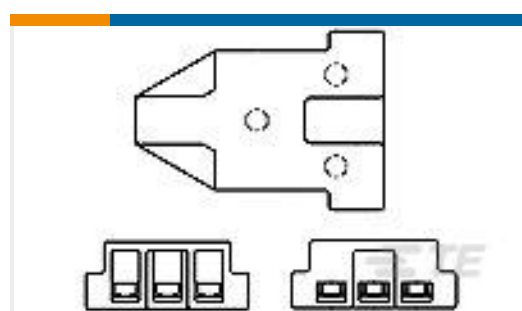
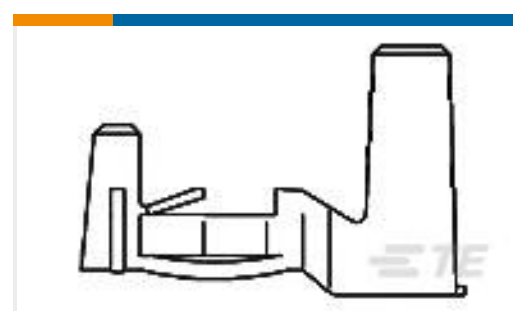


Rectangular Connector Locking(1)



Rectangular Power Connectors(13)

Customers Also Bought

TE Part #1376391-1
5MM POWER KEY 6P PLUG HSG NUTTE Part #1-176497-1
250 HSG. PL EX FLAG REC. NATTE Part #173974-1
187 HSG. PL MKII REC. NATTE Part #179975-1
250 PL EX REC. 15-10AWG PTBRTE Part #1-171370-2
2.3DIA CLUSTER BLOCKTE Part #2371403-1
SGI 1.25 RCPT Contact, 26-30AWGTE Part #1871865-1
BOARD-IN CONTACT M-TYPE

Documents

Product Drawings

[GRACE INERTIA 6.2mm PITCH CAP 3POS](#)

English

CAD Files

[3D PDF](#)

3D

Customer View Model

[ENG_CVM_CVM_1746978-1_C3.2d_dxf.zip](#)

English

Customer View Model

[ENG_CVM_CVM_1746978-1_C3.3d_igs.zip](#)

English

Customer View Model

[ENG_CVM_CVM_1746978-1_C3.3d_stp.zip](#)

English

By downloading the CAD file I accept and agree to the [Terms and Conditions](#) of use.



Datasheets & Catalog Pages

[1-1773883-5 GRACE INERTIA connector quick reference guide](#)

English

Product Specifications

[Application Specification](#)

English

Product Environmental Compliance

[MD_1746978-1_053120182358_dmtec](#)

English

[MD_1746978-1_053120182358_dmtec](#)

English

Instruction Sheets

[Extraction Tool For Grace Inertia Connector](#)

Japanese

[Instruction Sheet \(non U.S.\)](#)

Japanese