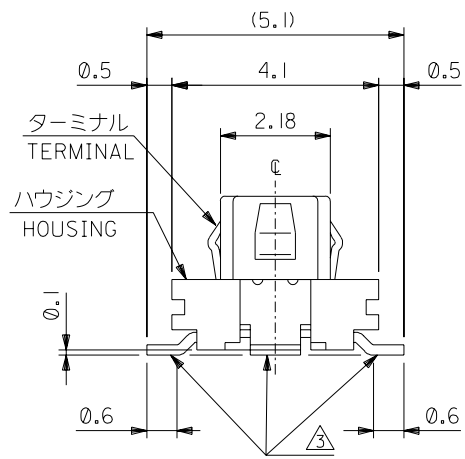
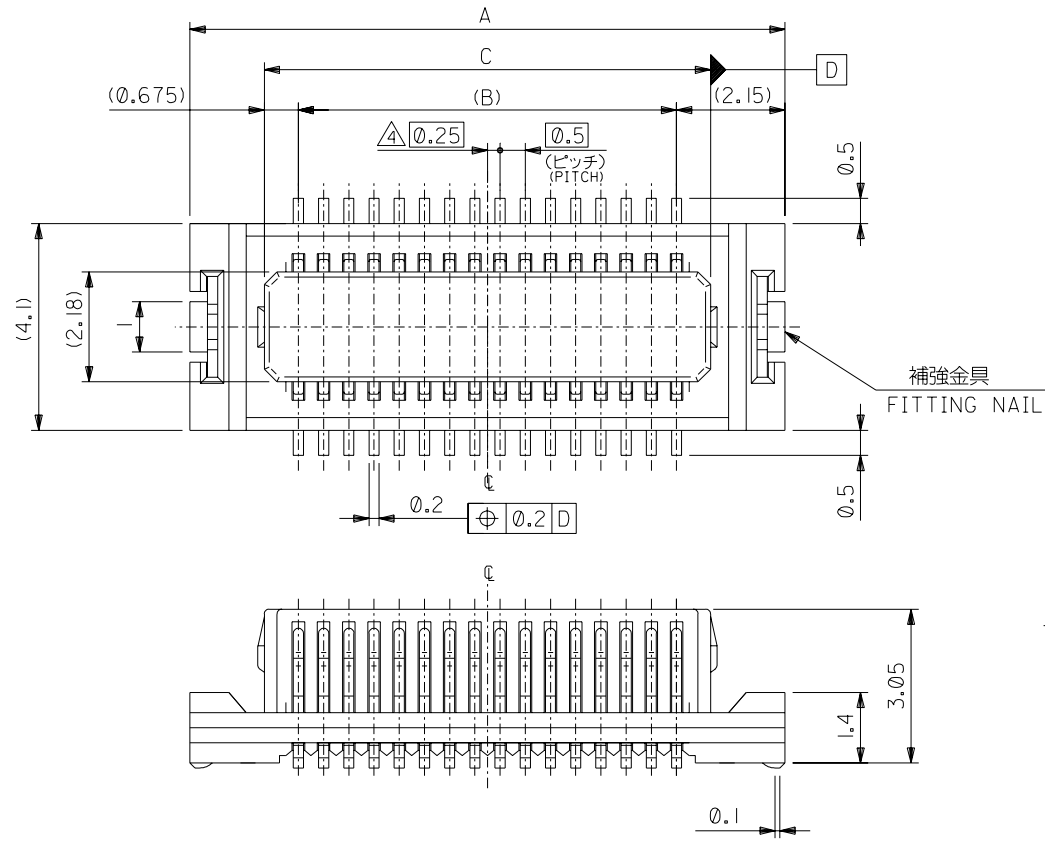


DWG. NO.
SD-54434-009



18.35	17.0	21.3	54434-0701	70
15.85	14.5	18.8	54434-0601	60
10.85	9.5	13.8	54434-0401	40
C	B	A	MATERIAL NO.	極数 CKTS.

DO NOT SCALE DRAWING

64 NO. DRWN: CH'K: APPR:	63 NO. DRWN: CH'K: APPR:	62 NO. DRWN: CH'K: APPR:	61 NO. DRWN: CH'K: APPR:	RELEASED 0204-3183 DRWN: H.SHIMABUKURO '04/3/18 CH'K: K.TOJO '04/3/18 APPR: M.SASAO '04/3/18
MATERIAL 材料				
FINISH 仕上げ				
WIRE RANGE 適用電線範囲				
INS. RANGE 被覆外径				

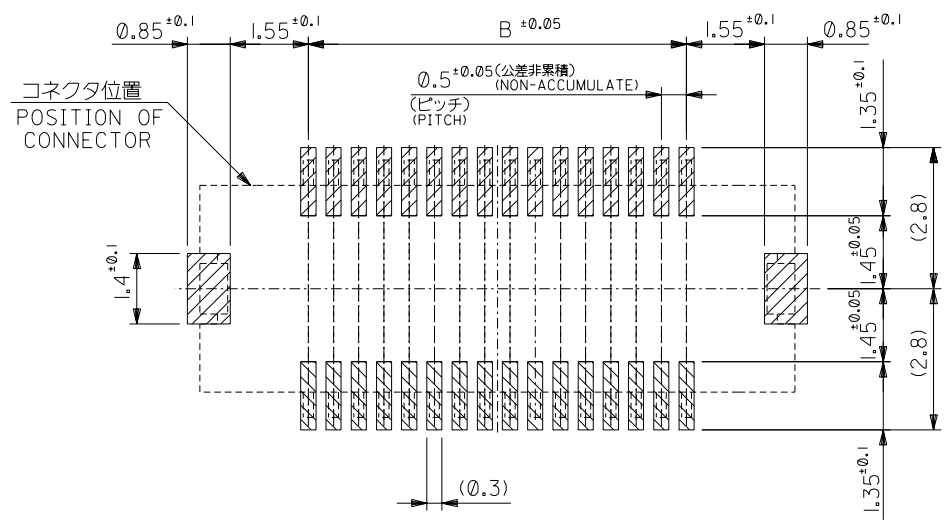
DESCRIPTION	注記参照 SEE NOTES
DESCRIPTION	注記参照 SEE NOTES

GENERAL TOLERANCES: (UNLESS SPECIFIED) 一般公差	SCALE	DESIGN UNITS
10 UNDER 未満	1:1	<input checked="" type="checkbox"/> mm <input type="checkbox"/> INCH
10 OVER 30 UNDER 未満		
30 OVER 以上		
ANGLE 角度		

MODEL NO. 54434-***1	DIMENSIONS: <input type="checkbox"/> mm <input type="checkbox"/> INCH	SHT 2	REV
PROJECTION <input checked="" type="checkbox"/> FIRST ANGLE	<input type="checkbox"/> mm ONLY	DRAWN BY & DATE H.SHIMABUKURO '04/3/18	
TITLE: 0.5 BOARD TO BOARD CONN. HOUSING ASS'Y WITH NAIL WITH LOCK -LEAD FREE-		CHECKED BY & DATE K.TOJO '04/3/18	
APPROVED BY & DATE M.SASAO '04/3/18		MATERIAL NO. SEE CHART	
CAD FILENAME 54434009.S01		DRAWING NO. SD-54434-009	SHEET NO. 1 OF 2
THIS DRAWING CONTAINS INFORMATION THAT IS PROPRIETARY TO MOLEX INCORPORATED AND SHOULD NOT BE USED WITHOUT WRITTEN PERMISSION.			SIZE B

SD-54434-009:50

DWG. NO.
SD-54434-009



参考基板レイアウト
RECOMMENDED P.C. BOARD
PATTERN DIMENSION.(REF.)

注記 NOTES:

1. 材質 MATERIAL
ハウジング: LCP, (UL94V-0) HOUSING : LCP ,UL94V-0
ターミナル: リン青銅 (t=0.2) TERMINAL : PHOSPHOR BRONZE
補強金具 : 黄銅 (t=0.2) FITTING NAIL : BRASS
2. メッキ仕様 PLATING
ターミナル: ニッケル下地金メッキ
TERMINAL: Au OVER Ni PLATING
補強金具 : 錫メッキ 下地: ニッケルメッキ
FITTING NAIL: TIN OVER NICKEL PLATING
3. テールとネイルの相互のばらつきは0.1MAX.
MISALIGNMENT OF SOLDER TAIL AND FITTING NAIL
OFFSET BETWEEN UPPER AND LOWER : 0.1MAX.
4. (極数/2) = 偶数の場合に適用。
APPLY FOR (CIRCUIT/2)=EVEN.
5. 嵌合相手: 55289シリーズ。
MATES WITH 55289 SERIES.
6. 一對の基板の嵌合に於いて、本製品を2個以上使用することは推奨致し兼ねます。
MXJ DOES NOT RECOMMEND THE USAGE OF TWO OR MORE OF
THESE CONNECTORS BETWEEN A SINGLE PAIR OF P.C.BOARD.
7. 本製品は 54434-***0 の鉛フリー品である。
THIS PRODUCT IS LEAD FREE OF 54434-***0

DO NOT SCALE DRAWING

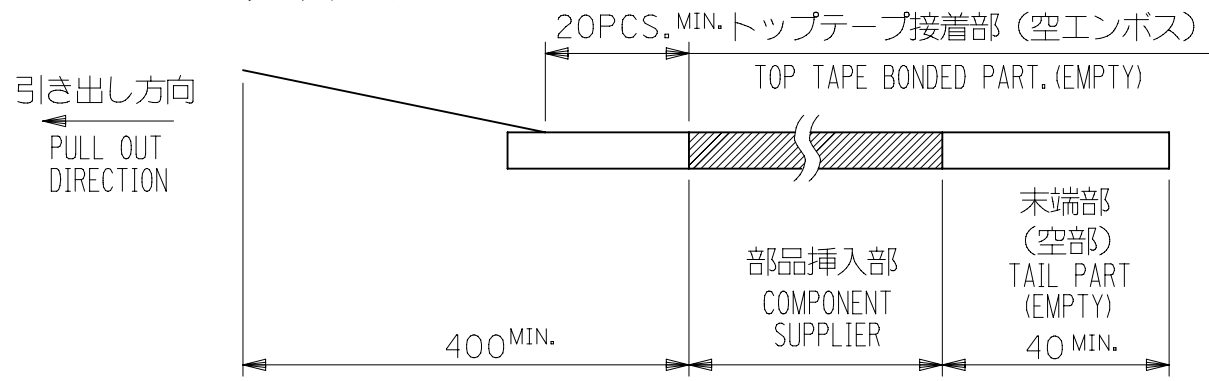
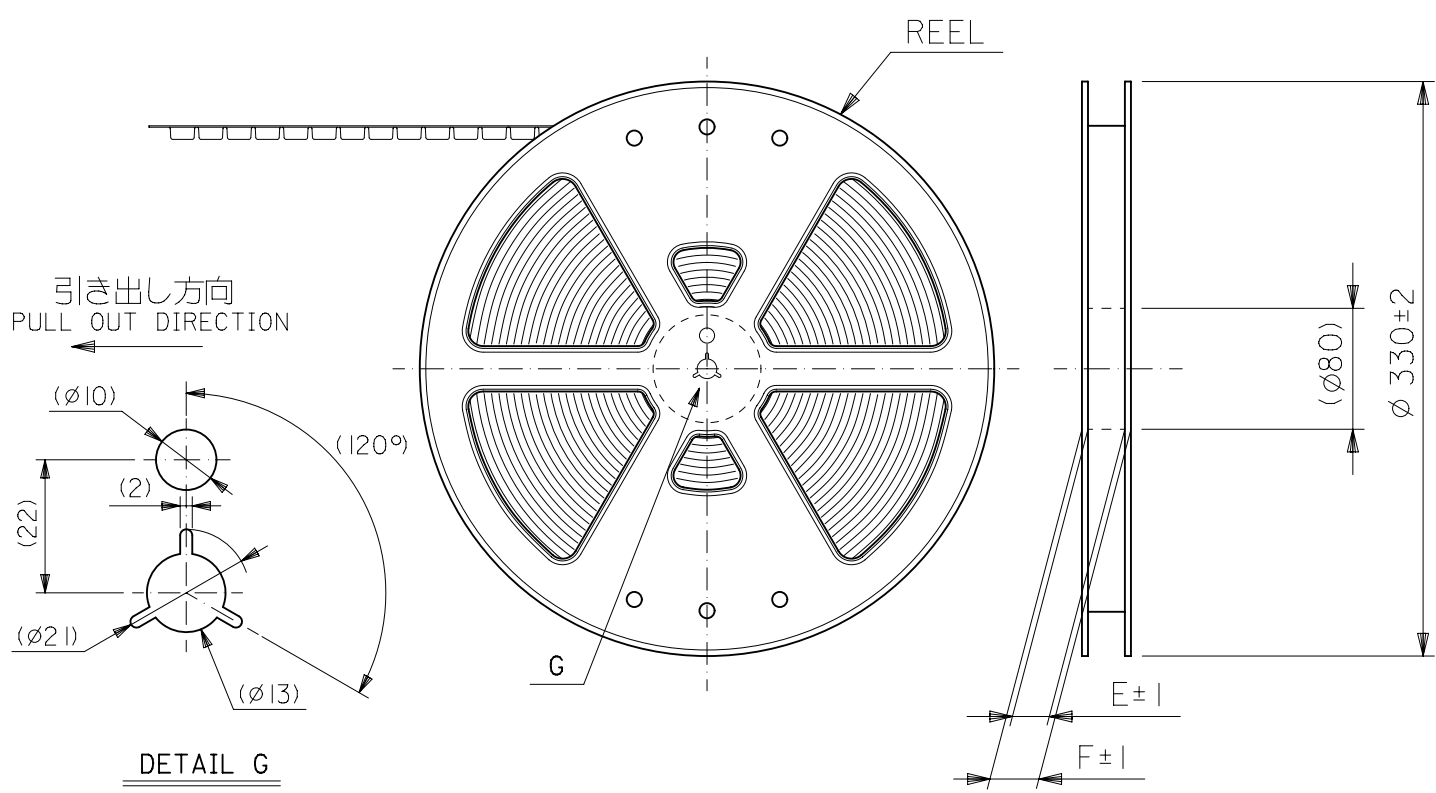
164 NO. DRAWN: CH'K: APPR:		163 NO. DRAWN: CH'K: APPR:		162 NO. DRAWN: CH'K: APPR:		161 NO. DRAWN: CH'K: APPR:		RELEASED 160 NO. J2004-3183 DRAWN: H.SHIMABUKURO 04/3/18 CH'K: K.TOJO 04/3/18 APPR: M.SASAO 04/3/18		MATERIAL 材料 注記参照 SEE NOTES		GENERAL TOLERANCES: (UNLESS SPECIFIED) 一般公差		MODEL NO. 54434-***1		DIMENSIONS: <input type="checkbox"/> mm <input type="checkbox"/> INCH <input checked="" type="checkbox"/> mm ONLY		SHT REV					
								FINISH 仕上げ 注記参照 SEE NOTES		10 UNDER 未満 ±0.2 10 OVER 30 UNDER 未満 ±0.25 30 OVER 以上 ±0.3		SCALE -- DESIGN UNITS <input checked="" type="checkbox"/> mm <input type="checkbox"/> INCH		20° FIRST ANGLE PROJECTION		DRAWN BY & DATE: 04/3/18 H.SHIMABUKURO		TITLE: 0.5 BOARD TO BOARD CONN. HOUSING ASS'Y -LEAD FREE- WITH NAIL WITH LOCK					
						WIRE RANGE 適用線径範囲		30 OVER 以上 ±0.3		CHECKED BY & DATE K.TOJO '04/3/18		APPROVED BY & DATE M.SASAO '04/3/18		MOLEX INCORPORATED		CAD FILENAME 54434009.S02		MATERIAL NO. SEE CHART		DRAWING NO. SD-54434-009		SHEET NO. 2 OF 2	
						INS. RANGE 被覆外径		30 OVER 以上 ±0.3		ANGLE 角度 ±3°		20° FIRST ANGLE PROJECTION		MOLEX INCORPORATED		CAD FILENAME 54434009.S02		MATERIAL NO. SEE CHART		DRAWING NO. SD-54434-009		SHEET NO. 2 OF 2	
										20° FIRST ANGLE PROJECTION		MOLEX INCORPORATED		CAD FILENAME 54434009.S02		MATERIAL NO. SEE CHART		DRAWING NO. SD-54434-009		SHEET NO. 2 OF 2			
										20° FIRST ANGLE PROJECTION		MOLEX INCORPORATED		CAD FILENAME 54434009.S02		MATERIAL NO. SEE CHART		DRAWING NO. SD-54434-009		SHEET NO. 2 OF 2			

THIS DRAWING CONTAINS INFORMATION THAT IS PROPRIETARY TO MOLEX INCORPORATED AND SHOULD NOT BE USED WITHOUT WRITTEN PERMISSION.

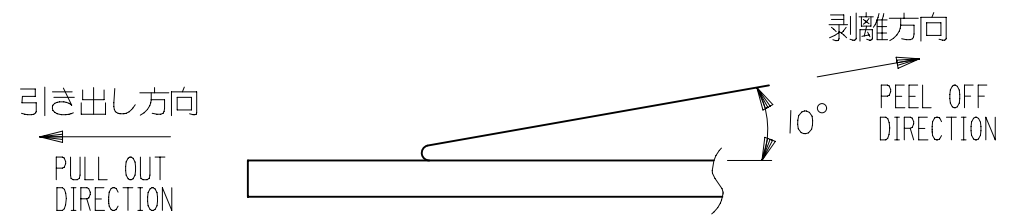
SD-54434-009:502

注記 NOTES

- 製品詳細寸法については図面 SD-54434-009 を参照下さい。
RE DETAILED DIMENSION, SEE SD-54434-009
- 梱包数量：1000個/リール
NUMBER OF CONNECTORS : 1000PCS/REEL
- リードテープ長さ LEAD TAPE LENGTH

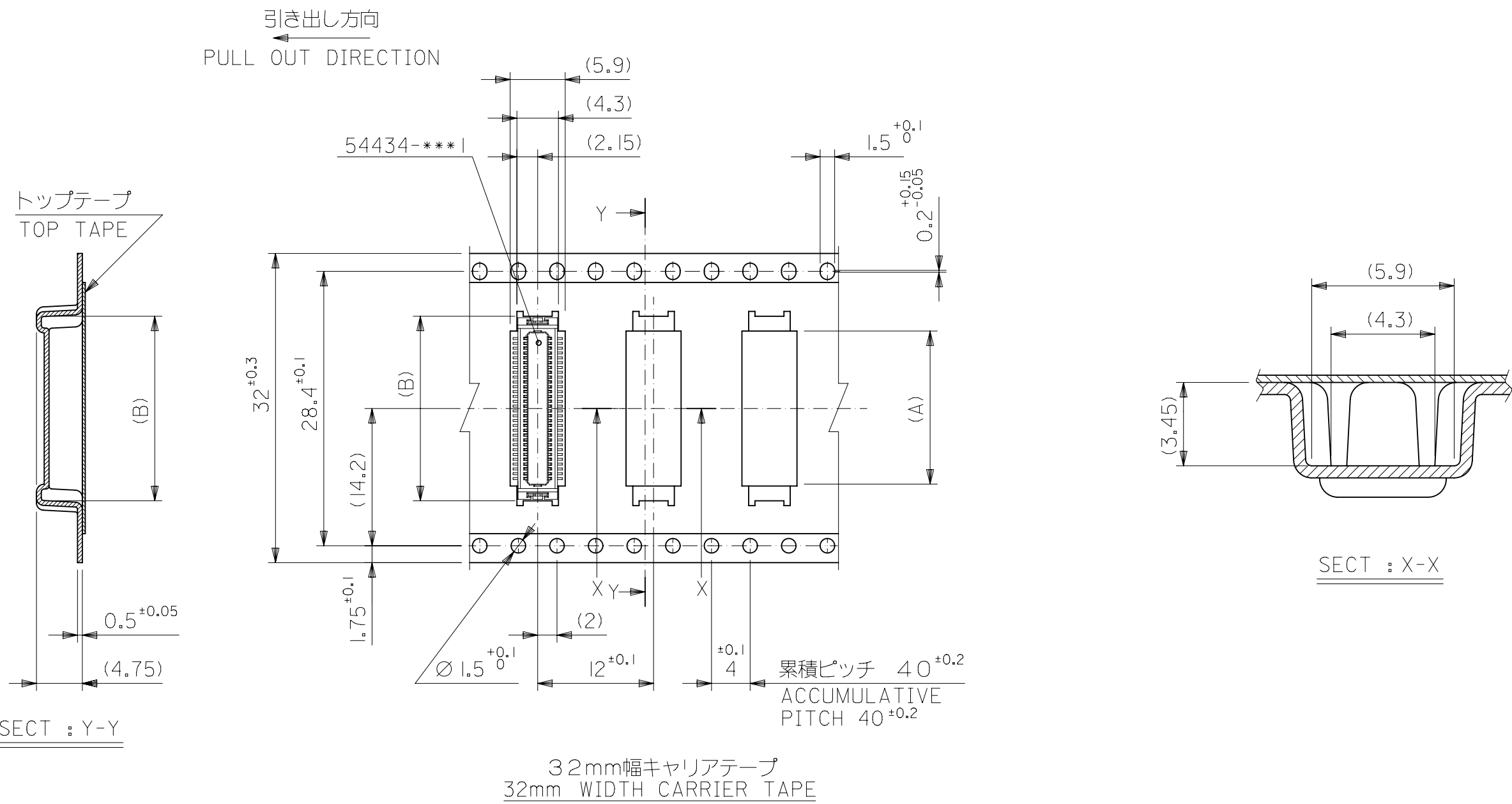


- トップテープの剥離強度：0.1N ~ 1.3N (10gf ~ 130gf)
(剥離方向は下図参照)
尚、本規格値は出荷時に適用。(但し、輸送時に剥離が発生しないこと。)
PEELING OFF FORCE OF TOP TAPE : 0.1N ~ 1.3N (10gf ~ 130gf)
(PEELING DIRECTION AS SHOWN IN FOLLOWING FIG.)
THIS REQUIREMENT SHOULD BE APPLIED AT SHIPMENT.
PEEL OFF SHOULD NOT BE ALLOWED , DURING TRANSPORTATION.



- 材料(MATERIAL)
キャリアテープ(CARRIER TAPE)：ポリプロピレン(POLYPROPYLENE)
トップテープ(TOPTAPE)：PET , PE , PEF
リール(REEL)：紙製(CARD BOARD)
- 本製品は 54434-***9 の鉛フリー品である。
THIS PRODUCT IS LEAD FREE OF 54434-***9

DOCUMENT STATUS		P1	RELEASE DATE	2020/02/28 02:39:15	MATERIAL 材料		注記参照 SEE NOTES		GENERAL TOLERANCES: (UNLESS SPECIFIED) 一般公差		THIS DRAWING CONTAINS INFORMATION THAT IS PROPRIETARY TO MOLEX ELECTRONIC TECHNOLOGIES, LLC AND SHOULD NOT BE USED WITHOUT WRITTEN PERMISSION		MODEL NO.		54434-***8	
FINISH 仕上げ		注記参照 SEE NOTES		10 UNDER 未満	±0.2	DIMENSION UNITS		SCALE		CURRENT REV DESC: OBSOLETE PART NUMBER				EMBOSSED TAPE PACKAGE FOR 54434-***1 - LEAD FREE-		
WIRE RANGE 適用電線範囲		注記参照 SEE NOTES		10 OVER 30 UNDER 以上 未満	±0.25	mm	NTS	GENERAL TOLERANCES (UNLESS SPECIFIED)		EC NO: 632260						SD-54434-010
INS. RANGE 被覆外径		注記参照 SEE NOTES		30 OVER 以上	±0.3	MM	INCH	GENERAL TOLERANCES (UNLESS SPECIFIED)		DRWN: AKUMAR19 2020/02/03		DOCUMENT NUMBER		REVISION		
ANGLE 角度		注記参照 SEE NOTES		ANGLE 角度	±3°	ANGULAR TOL		GENERAL TOLERANCES (UNLESS SPECIFIED)		CHK'D: GGA 2020/02/28		DOC TYPE		DOC PART		
DRAFT WHERE APPLICABLE MUST REMAIN WITHIN DIMENSIONS		注記参照 SEE NOTES		ANGULAR TOL		GENERAL TOLERANCES (UNLESS SPECIFIED)		GENERAL TOLERANCES (UNLESS SPECIFIED)		APPR: GGA 2020/02/28		SERIES		SHEET NUMBER		
THIRD ANGLE PROJECTION		注記参照 SEE NOTES		ANGULAR TOL		GENERAL TOLERANCES (UNLESS SPECIFIED)		GENERAL TOLERANCES (UNLESS SPECIFIED)		MATERIAL NUMBER		CUSTOMER		SHEET NUMBER		
DRAWING		注記参照 SEE NOTES		ANGULAR TOL		GENERAL TOLERANCES (UNLESS SPECIFIED)		GENERAL TOLERANCES (UNLESS SPECIFIED)		SEE TABLE		GENERAL MARKET		1 OF 2		
B-SIZE		注記参照 SEE NOTES		ANGULAR TOL		GENERAL TOLERANCES (UNLESS SPECIFIED)		GENERAL TOLERANCES (UNLESS SPECIFIED)		54434		GENERAL MARKET		1 OF 2		



32mm幅キャリアテープ
32mm WIDTH CARRIER TAPE

32	37.4	33.4	19.1	16.04	54434-0608	60
キャリアテープ幅	F	E	(B)	(A)	MATERIAL NO.	極数 CKTS.

MATERIAL 材料	注記参照 SEE NOTES	GENERAL TOLERANCES: (UNLESS SPECIFIED) 一般公差	10 UNDER 未満	±0.2
FINISH 仕上げ	注記参照 SEE NOTES	10 OVER 以上	30 UNDER 未満	±0.25
WIRE RANGE 適用電線範囲	—//—	30 OVER 以上		±0.3
INS. RANGE 被覆外径	—//—	ANGLE 角度		±3°

THIS DRAWING CONTAINS INFORMATION THAT IS PROPRIETARY TO MOLEX ELECTRONIC TECHNOLOGIES, LLC AND SHOULD NOT BE USED WITHOUT WRITTEN PERMISSION

DIMENSION UNITS	SCALE	CURRENT REV DESC: OBSOLETE PART NUMBER
mm	NTS	
GENERAL TOLERANCES (UNLESS SPECIFIED)		
4 PLACES ±	±	
3 PLACES ±	±	
2 PLACES ±	±	
1 PLACE ±	±	
0 PLACES ±	±	
ANGULAR TOL ± °		
DRAFT WHERE APPLICABLE MUST REMAIN WITHIN DIMENSIONS	THIRD ANGLE PROJECTION	DRAWING
		B-SIZE
	SERIES	54434

EC NO: 632260
DRWN: AKUMAR19 2020/02/03
CHK'D: GGA 2020/02/28
APPR: GGA 2020/02/28

INITIAL REVISION:
DRWN: H.SHIMABUKURO 2004/03/18
APPR: M.SASAO 2004/03/18

MODEL NO. 54434-***8		
molex		
EMBOSSED TAPE PACKAGE FOR 54434-***1 -LEAD FREE-		
PRODUCT CUSTOMER DRAWING		
DOCUMENT NUMBER	DOC TYPE	DOC PART
SD-54434-010	PSD	001
MATERIAL NUMBER	CUSTOMER	SHEET NUMBER
SEE TABLE	GENERAL MARKET	2 OF 2