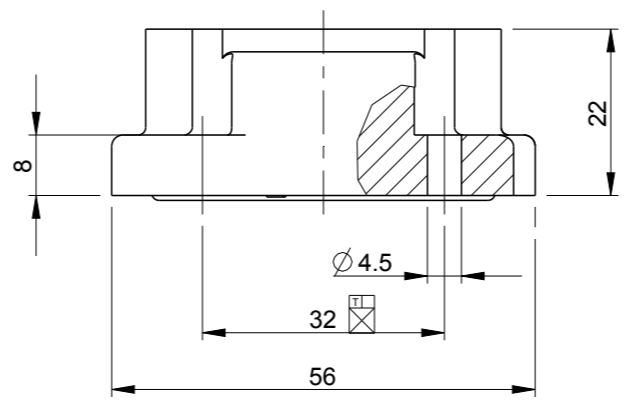
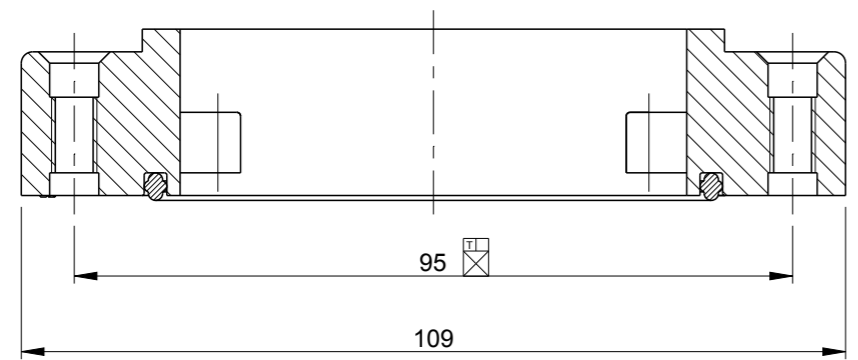


THIS DRAWING IS UNPUBLISHED. RELEASED FOR PUBLICATION .1997  
COPYRIGHT 1997 BY - ALL RIGHTS RESERVED.

REVISIONS

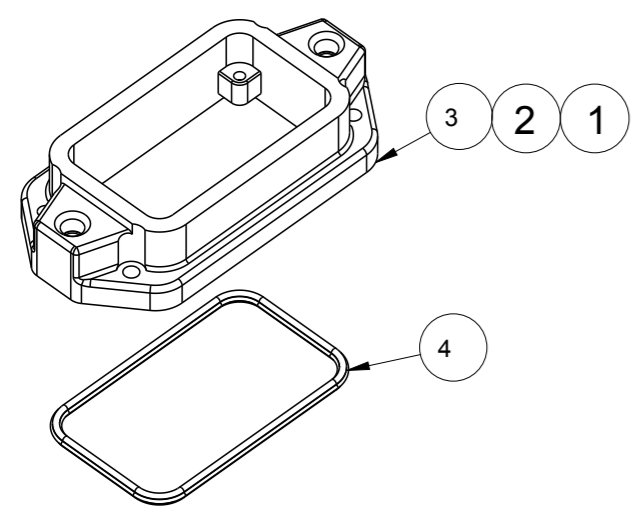
P	LTR	DESCRIPTION	DATE	DWN	APVD
A6		RELEASED AS PER ECR-08-023624	08SEP2008	GG	TS
A7		ECR-17-014011	16JAN2018	RSM	MKO

PN 3-5,4-5 & 0-1



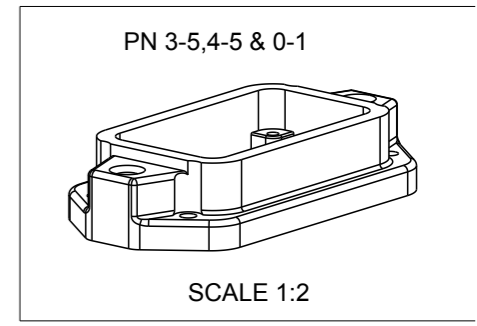
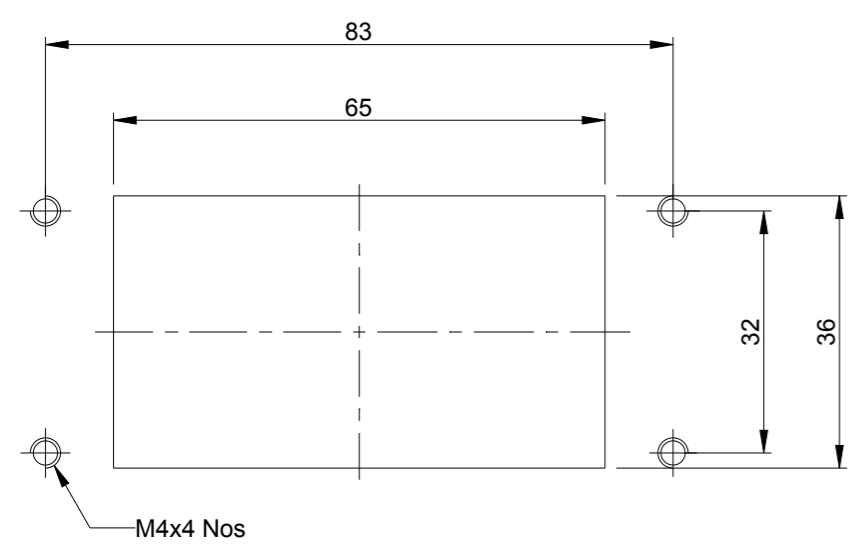
NOTES,

- 1 MATERIAL: SEE TABLE
- 2 SURFACE: SEE TABLE
- 3 VARNISH ON THE INSIDE NOT NECESSARY
- 4 PACKAGING QUANTITY 5 PIECES IN A BOX



SCALE 1:2

PANEL CUT-OUT



QTY	DESCRIPTION	MATERIAL	SURFACE	COLOR	ITEM NO	NOTES
1	SEAL BG4	NEOPRENE	-	BLACK	4	CONDUCTIVE
1	SURFACE MOUNTED HOUSING BOTTOM ENTRY FINISHED PRODUCT SIZE 4	ALUMINIUM	-	WITHOUT VARNISH	3	EMV
1	SURFACE MOUNTED HOUSING BOTTOM ENTRY FINISHED PRODUCT SIZE 4	ALUMINIUM	YELLOW CHROMATED	BLACK RAL 9005	2	EMV-K
1	SURFACE MOUNTED HOUSING BOTTOM ENTRY FINISHED PRODUCT SIZE 4	ALUMINIUM	-	GREY RAL 7001	1	EMV

ORDERING TEXT  
EMV.10/24.AG  
EMV-K.10/24.AG  
EMV.10/24.AG

THIS DRAWING IS A CONTROLLED DOCUMENT.

DIMENSIONS: mm	TOLERANCES UNLESS OTHERWISE SPECIFIED: n. ISO 8015: n. ISO 2768-mS-H-E: n. DIN 16901-120
	0 PLC ±
	1 PLC ±
	2 PLC ±
	3 PLC ±
	4 PLC ±
	ANGLES ±
MATERIAL 1 material_2	FINISH 2 finish_spec_2

DWN	Kramer	20.05.98
CHK	Schweiger	20.05.98
APVD	-	-
PRODUCT SPEC	-	-
APPLICATION SPEC	-	-
WEIGHT	-	-
CUSTOMER DRAWING		



SURFACE MOUNTED HOUSING BOTTOM ENTRY.  
EMV/EMV-K.10/24

SIZE	CAGE CODE	DRAWING NO	RESTRICTED TO
A3	00779	C-0-1102718-1	
SCALE	SHEET	OF	REV
1:1	1	1	A7