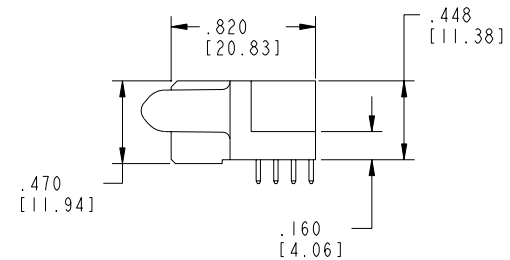
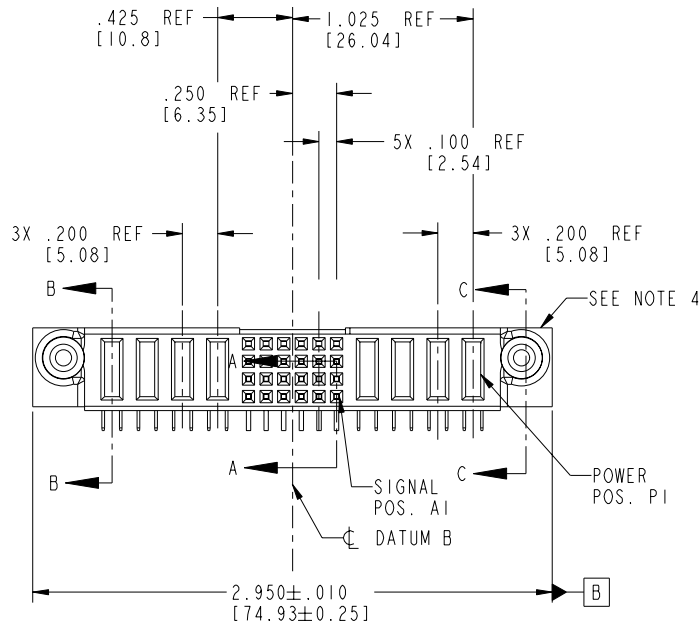
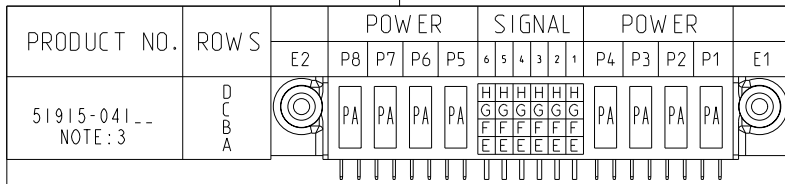


Tous droits strictement réservés. Reproduction ou communication à des tiers interdite sous quelque forme que ce soit sans autorisation écrite du propriétaire. Propriété de c FCI. Droits de reproduction FCI.

All rights strictly reserved. Reproduction or issue to third parties in any form whatever is not permitted without written authority from the proprietor. Property of FCI. Copyright FCI.



| CODE | DIM "M" MATING LENGTH | CONTACT TYPE |
|------|-----------------------|--------------|
| E | N/A [N/A] | SIGNAL |
| F | N/A [N/A] | SIGNAL |
| G | N/A [N/A] | SIGNAL |
| H | N/A [N/A] | SIGNAL |
| PA | .042 [1.07] | POWER |

| | | | | | | | | | |
|-----------------------|----------------|-----|----------|---------------------------------------|------------|-------------------------|--|------------------------|--|
| mat'l code SEE NOTE 2 | | | | tolerances unless otherwise specified | | CUSTOMER | | www.fciconnect.com | |
| ltr | ecn no. | dr | date | linear | projection | COPY | | title | |
| A | V04-0054 | TAB | 01/20/04 | .XX±.01/0.X±0.3 | | 4P + 24S + 4P | | R/A SOLDER RECEPTACLE | |
| B | DG05-0370 | CS | 09/30/05 | .XXX±.005/0.XX±0.13 | | product family PwrBlade | | code 213 | |
| | | | | angles 0°±2° | scale 1:1 | size | | sheet 1 of 4 | |
| | | | | dr T. BRUNGARD 01/20/04 | | A 51915-041 | | | |
| | | | | enr M. GRAY 01/20/04 | | | | | |
| | | | | chr M. GRAY 01/20/04 | | | | | |
| | | | | appd M. GRAY 01/20/04 | | | | | |
| sheet index | revision sheet | B 1 | B 2 | B 3 | B 4 | | | | |

cage code 22526 4

PDM: Rev:B

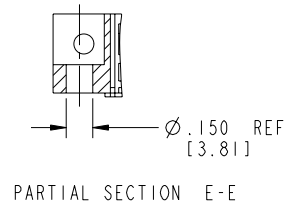
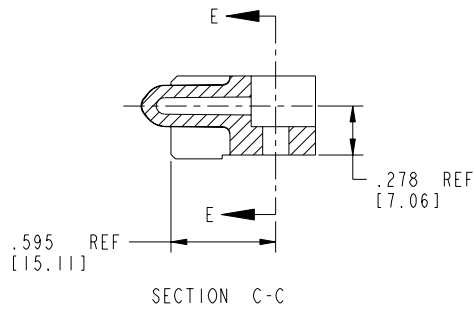
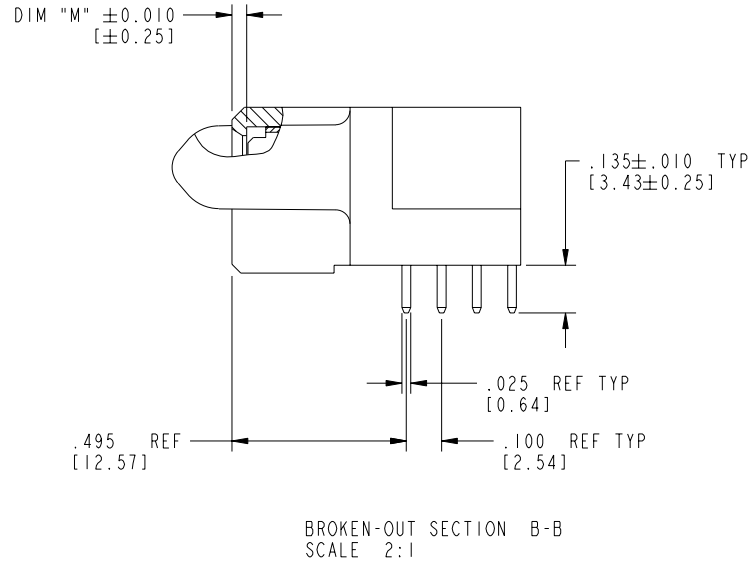
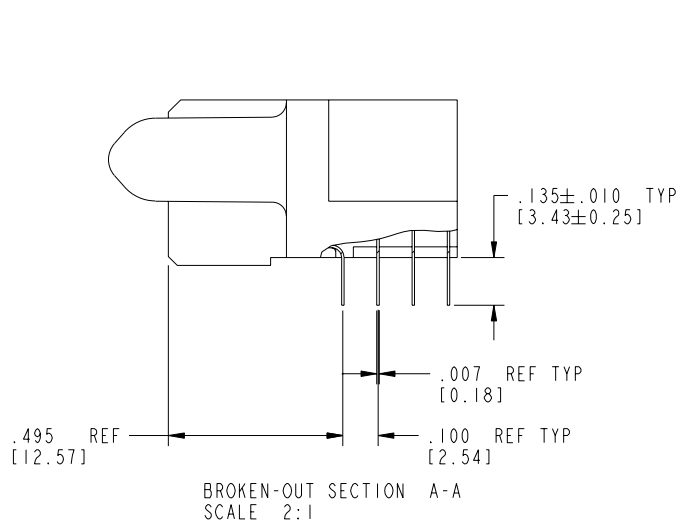
STATUS: Released

Printed: Dec 20, 2010

Tous droits strictement réservés. Reproduction ou communication a des tiers interdite sous quelque forme que ce soit sans autorisation écrite du propriétaire. Propriété de c FCI. Droits de reproduction FCI.

All rights strictly reserved. Reproduction or issue to third parties in any form whatever is not permitted without written authority from the proprietor. Property of FCI. Copyright FCI.

PRODUCT NUMBER
51915-041__
NOTE: 3



| | | | | | | | | | |
|-------------|----------------|------------|------|---------------------------------------|------------------------|----------|--|------------------------|--|
| mat'l code | | SEE NOTE 2 | | tolerances unless otherwise specified | | CUSTOMER | | www.fciconnect.com | |
| ltr | ecn no. | dr | date | linear | .XX±.01/0.X±0.3 | COPY | | projection | title |
| B | | | | | .XXX±.005/0.XX±0.13 | | | | 4P + 24S + 4P R/A SOLDER RECEPTACLE |
| | | | | angles | XXXX±.0020/0.XXX±0.051 | | | | product family |
| | | | | dr | 0°±2° | | | ←→ | PwrBlade |
| | | | | enr | T. BRUNGARD 01/20/04 | | | size | code |
| | | | | chr | M. GRAY 01/20/04 | | | A | 213 |
| | | | | appd | M. GRAY 01/20/04 | | | scale | sheet |
| | | | | | | | | 1:1 | 2 of 4 |
| sheet index | revision sheet | | | | | | | | |

cage code 22526

Pro/E

PDM: Rev:B

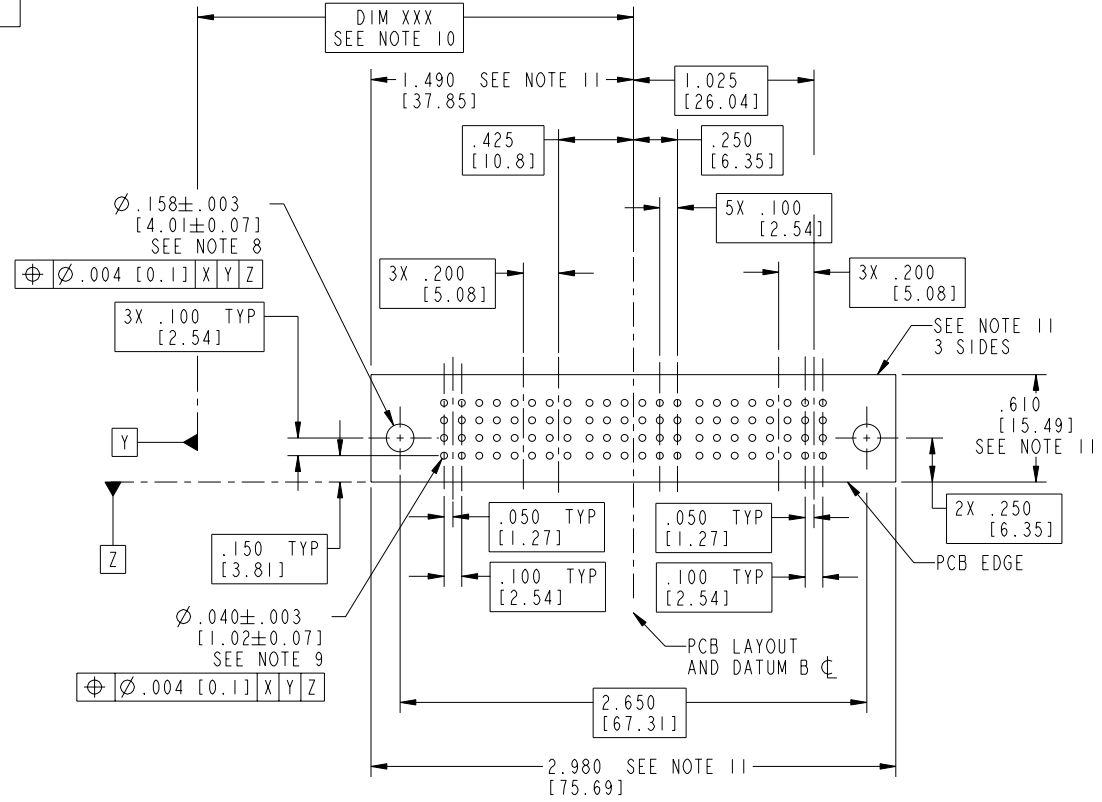
STATUS: Released

Printed: Dec 20, 2010

Tous droits strictement réservés. Reproduction ou communication à des tiers interdite sous quelque forme que ce soit sans autorisation écrite du propriétaire. Propriété de c FCI. Droits de reproduction FCI.

All rights strictly reserved. Reproduction or issue to third parties in any form whatever is not permitted without written authority from the proprietor. Property of FCI. Copyright FCI.

PRODUCT NUMBER
51915-041__
NOTE: 3



| | | | | | | | | | |
|--------------------------|---------|----------------|------|---------------------------------------|----------------------|------------|--|------------------------|--|
| mat'l code SEE NOTE 2 | | | | tolerances unless otherwise specified | | CUSTOMER | | www.fciconnect.com | |
| ltr | ecn no. | dr | date | linear | .XX±.01/0.X±0.3 | COPY | | title | |
| B | | | | linear | .XXX±.005/0.XX±0.13 | projection | | 4P + 24S + 4P | |
| | | | | angles | .XXX±.002/0.XX±0.051 | | | R/A SOLDER RECEPTACLE | |
| | | | | dr | T. BRUNGARD 01/20/04 | scale | | product family | |
| | | | | enr | M. GRAY 01/20/04 | 1:1 | | PwrBlade | |
| | | | | chr | M. GRAY 01/20/04 | | | code | |
| | | | | appd | M. GRAY 01/20/04 | | | 213 | |
| sheet index | | revision sheet | | | | | | size | |
| | | | | | | | | dwg no | |
| | | | | | | | | A 51915-041 | |
| | | | | | | | | sheet | |
| | | | | | | | | 3 of 4 | |

cage code 22526

Pro/E

PDM: Rev:B

STATUS: Released

Printed: Dec 20, 2010

Tous droits strictement réservés. Reproduction ou communication à des tiers interdite sous quelque forme que ce soit sans autorisation écrite du propriétaire. Propriété de c FCI. Droits de reproduction FCI.

A
FCI

All rights strictly reserved. Reproduction or issue to third parties in any form whatever is not permitted without written authority from the proprietor. Property of FCI. Copyright FCI.

B

PRODUCT NUMBER
51915-041__
NOTE: 3

NOTES:

1. DIMENSIONS AND TOLERANCES ARE IN ACCORDANCE WITH ASME Y14.5M, 1994 UNLESS OTHERWISE SPECIFIED.

CONNECTOR NOTES:

2. HOUSING MATERIAL: UL 94 V-0 GLASS FILLED HIGH-TEMP THERMOPLASTIC
POWER CONTACT MATERIAL: COPPER ALLOY
SIGNAL PIN MATERIAL: COPPER ALLOY

3. PLATING:
51915-041 Singal Pin: 30u"/0.76um Au OVER 50u"/1.27um Ni ON THE CONTACT AREA, AND 100u"/2.54um SnPb PLATING OVER 50u"/1.27um Ni ON THE TERMINATION SECTION.
Power Pin: 30u"/0.76um Au OVER 50u"/1.27um Ni ON THE CONTACT AREA, AND 100u"/2.54um SnPb PLATING OVER 50u"/1.27um Ni ON THE TERMINATION SECTION.
51915-041LF Singal Pin: 30u"/0.76um Au OVER 50u"/1.27um Ni ON THE CONTACT AREA, AND 78u"/2.00um Sn PLATING OVER 50u"/1.27um Ni ON THE TERMINATION SECTION.
Power Pin: 30u"/0.76um Au OVER 50u"/1.27um Ni ON THE CONTACT AREA, AND 78u"/2.00um Sn PLATING OVER 50u"/1.27um Ni ON THE TERMINATION SECTION.

PART NUMBER 51915-041LF MEETS EUROPEAN UNION DIRECTIVE AND OTHER COUNTRY REGULATIONS AS DESCRIBED IN GS-22-008.

THE HOUSING WILL WITHSTAND EXPOSURE TO 260° PEAK TEMPERATURE FOR 10 SECONDS IN A WAVE SOLDER APPLICATION WITH A CIRCUIT BOARD.

4. MANUFACTURER'S NAME, P/N, AND DATE CODE TO APPEAR ON THIS SURFACE.
5. PRODUCT SPECIFICATION GS-12-149. APPLICATION SPECIFICATION BUS-20-067.
6. PACKAGED IN TRAYS.

PCB NOTES:

7. ALL HOLE DIAMETERS ARE FINISHED HOLE SIZE.
8. MOUNTING HOLES, WHERE APPLICABLE, ARE UNPLATED.
9. Ø .0453±.0010 [1.151±0.025] DRILLED HOLES PLATED WITH .0003 [0.008] MIN SnPb OVER .001 [0.03] TO .003 [0.08] Cu PLATING TO ACHIEVE Ø .040±.003 [1.02±.07] HOLE.
10. "DIM XXX" TO BE DETERMINED BY THE CUSTOMER.
11. CONNECTOR KEEP-OUT ZONE.

| | | | | | | | | | | | |
|-------------|---------|----------------|------|------------|------------------------|---------------------------------------|------|----------|----------------|--|--|
| mat'l code | | | | SEE NOTE 2 | | tolerances unless otherwise specified | | CUSTOMER | | A FCI www.fciconnect.com | |
| ltr | ecn no. | dr | date | linear | .XX±.01/0.X±0.3 | | COPY | | projection | title | |
| B | | | | | .XXX±.005/0.XX±0.13 | | ← | | | 4P + 24S + 4P R/A SOLDER RECEPTACLE | |
| | | | | angles | .XXXX±.002/0.XXX±0.051 | | ← | | product family | | |
| | | | | dr | 0° ± 2° | | ← | | PwrBlade | | |
| | | | | enr | T. BRUNGARD 01/20/04 | | ← | | code | | |
| | | | | chr | M. GRAY 01/20/04 | | ← | | 213 | | |
| | | | | appd | M. GRAY 01/20/04 | | ← | | sheet | | |
| sheet index | | revision sheet | | scale | | 1:1 | | A | | 4 of 4 | |

cage code 22526 4