

LOC	DIST	REVISIONS					
A	00	P	LTR	DESCRIPTION	DATE	DWN	APVD
			B1	SEE PRODUCT DRAWING	-	-	-


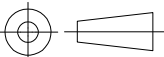
SEE PRODUCTION DRAWING  
680050

RELEASED FOR PUBLICATION

ALL RIGHTS RESERVED.

THIS DRAWING IS UNPUBLISHED.

© COPYRIGHT - By -

DIMENSIONS: INCHES	DWN	M.YOUNGER	07AUG2012	MATERIAL	-	FINISH	-	
	CHK	G.BAILEY	07AUG2012	 TE Connectivity				
TOLERANCES UNLESS OTHERWISE SPECIFIED:	APVD	G.BAILEY	07AUG2012					
0 PLC ± -	PRODUCT SPEC			NAME				
1 PLC ± -	-			END FEED HDM APPLICATOR				
2 PLC ± -	APPLICATION SPEC			-				
3 PLC ± -	-			SIZE	CAGE CODE	DRAWING NO	RESTRICTED TO	
4 PLC ± -	-			A4	00779	C-680050	-	
ANGLES ± -	WEIGHT			CUSTOMER DRAWING				
	-			SCALE	1:1	SHEET	1 OF 1	
			REV					B1