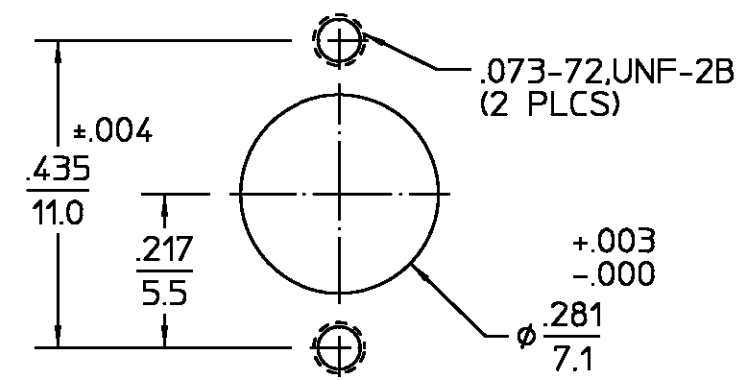


REVISIONS			
REV	DESCRIPTION	DATE	APPROVED
03 ₁	REVISED	KYLE 10-24-97	PCV 11/3/97

DESIGNED FOR USE WITH RD316/U	
CABLE ENTRY DIAMETER MINIMUM	
CONTACT	.021
HOUSING	.062
FERRULE	.138



RECOMMENDED MOUNTING HOLE

HOUSINGS SPRING WASHER	STAINLESS STEEL PER ASTM-A484 AND ASTM- A582, TYPE 303	PASSIVATE PER QQ-P-35
DIELECTRIC	PTFE FLUOROCARBON PER ASTM-D-1457	N/A
CENTER CONTACT CONTACT SLEEVE	BERYLLIUM COPPER PER ASTM-B-196 OR ASTM-B-197, ALLOY C17300, CONDITION H	GOLD PLATE PER MIL-G-45204
RETAINING RING	BERYLLIUM COPPER PER ASTM-B-194, ALLOY C17200, CONDITION H	NICKEL PLATE PER QQ-N-290
RETAINING RING CONTACT FINGER	BERYLLIUM COPPER PER ASTM-B-194, ALLOY C17200, CONDITION H	GOLD PLATE PER MIL-G-45204
SHRINK TUBING	HEAT SHRINKABLE POLYOLEFIN COMPOUND MIL-I-23053/4	N/A
FERRULE	COPPER OR BRASS ALLOY ROCKWELL F65 MAXIMUM	GOLD PLATE PER MIL-G-45204

ELECTRICAL	MECHANICAL	ENVIRONMENTAL
Nominal Impedance (Ohms) <u>50</u>	Interface Dimensions PER <u>M/A-COM CATALOG</u>	Temperature Rating <u>-65° TO +105°C</u>
Frequency Range (GHz) DC to <u>18.0</u>	Mating Characteristics:	Vibration MIL-STD-202, Method 204, Condition D
Volt Rating (VRMS MAX) @ Sea Level <u>250</u>	Insertion (MAX Lbs) <u>3.0</u>	Shock MIL-STD-202, Method 213, Condition I
VSWR <u>1.15 + .02f(GHz)</u>	Withdrawal (MIN Oz) <u>0.5</u>	Thermal Shock MIL-STD-202, Method 107, Condition B,
Insertion Loss (dB MAX) <u>.04√f(GHz)</u>	Force to Engage (IN-Lbs MAX) <u>3.0</u> & Disengage (IN-Lbs MAX) <u>1.5</u>	Moisture Resistance MIL-STD-202, Method 106
RF Leakage (dB MIN) <u>[-90-f(GHz)]</u>	Center Contact Captivation Axial (Lbs MIN) <u>4.0</u>	Corrosion - MIL-STD-202, Method 101, Condition B, 5% salt spray
Corona, 70,000 Ft (VRMS MIN) <u>190</u>	Cable Retention Axial Force (Lbs) <u>20.0</u>	
Dielectric Withstanding Voltage (VRMS MIN) @ Sea Level <u>750</u>		
Contact Resistance (Milliohms MAX) Center Contact <u>6.0</u> Outer Contact <u>3.0</u> Cable to Housing <u>0.5</u>		
RF High Potential @ Sea Level (VRMS MIN @ 5 MHz) <u>500</u>		
LR.(Megohms MIN) <u>5,000</u>		

COMPONENT	MATERIAL	FINISH
UNLESS OTHERWISE SPECIFIED DIMENSIONS ARE IN INCHES TOLERANCE ON FRAC. DEC. ANGLES ± 1/64 ± .005 ± °	DRAWN BY D DATE 5-30-85 CHECKED BY PCV 1-13-86 APPD BY PCV 1-13-86	
These drawings and specifications are the property of Omni Spectra Incorporated and shall not be reproduced or copied or used in whole or in part as the basis for the manufacture or sale of item(s) without written permission.	USE ASS'Y PROCEDURE 408-08296 (47-005) NO. AP.	AMP Incorporated 140 Fourth Avenue Waltham, MA 02451-7599
	TITLE OSSP FLOATING FLANGE MOUNT CABLE JACK- CRIMP ATTACHMENT	
	SIZE B CODE IDENT NO. 26805 4736-7316-02 REV 03 ₁	
	SCALE 4:1 SHEET 1 OF 1	

.XXX = in
XX.X = mm (REF)

CUSTOMER DRAWING

AMP PART # 1059888-1
SHEET 1 OF 1 REV A