

Relay4™

Manual

All Mikroelektronika's development systems feature a large number of peripheral modules expanding microcontroller's range of application and making the process of program testing easier. In addition to these modules, it is also possible to use numerous additional modules linked to the development system through the I/O port connectors. Some of these additional modules can operate as stand-alone devices without being connected to the microcontroller.

Additional board

 **MikroElektronika**

SOFTWARE AND HARDWARE SOLUTIONS FOR EMBEDDED WORLD ...making it simple

Relay4

The Relay4 additional board is used to connect a development system to high-power consumption devices by using relays.

Key features:

- Four relays;
- 250V/16A voltage on relay contacts;
- 12V power supply voltage.

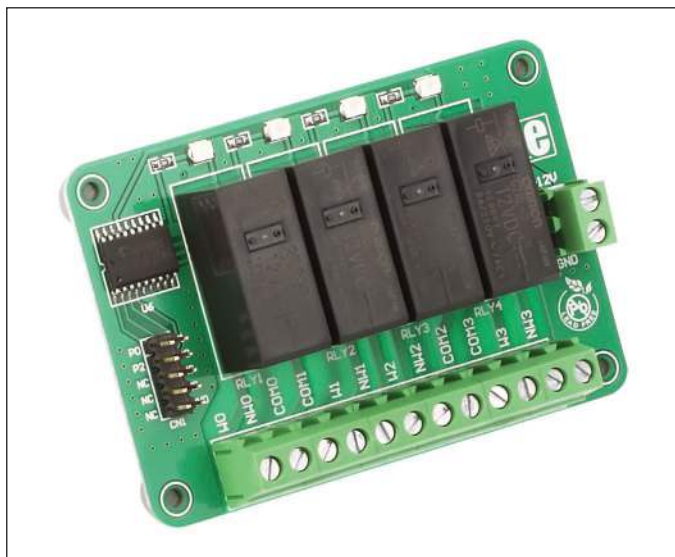


Figure 1: Relay4 additional board

How to connect the board?

The Relay4 additional board can be easily connected to a development system via a 2x5 connector CN1. This connector is connected to a development system port via a flat cable with IDC10 connectors. Screw terminals, connected to working and non-working relay contacts, are used to establish connection between relays supplied on the additional board and a device. The additional board is supplied with the power supply voltage via a screw terminal CN2.

How to use the board?

The Relay4 board receives a voltage signal from the development system via the CN1 connector. The received signal is used to activate relays which then turn on a device connected to these relays via screw terminals CN11-CN16. Connectors W0-W3 are connected to working, whereas connectors NW0-NW3 are connected to non-working relay contacts.

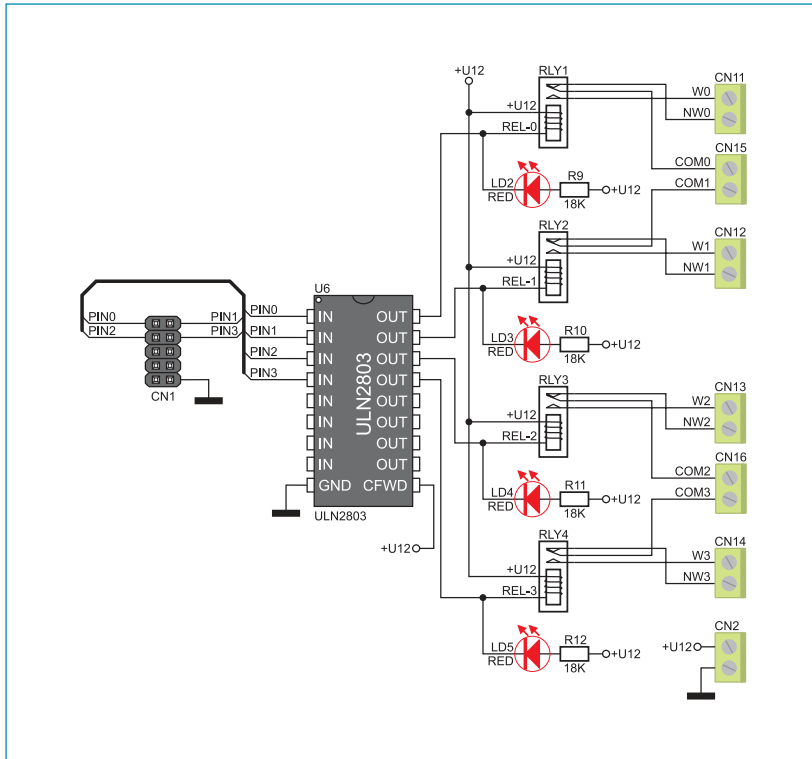


Figure 2: Relay4 board connection schematic

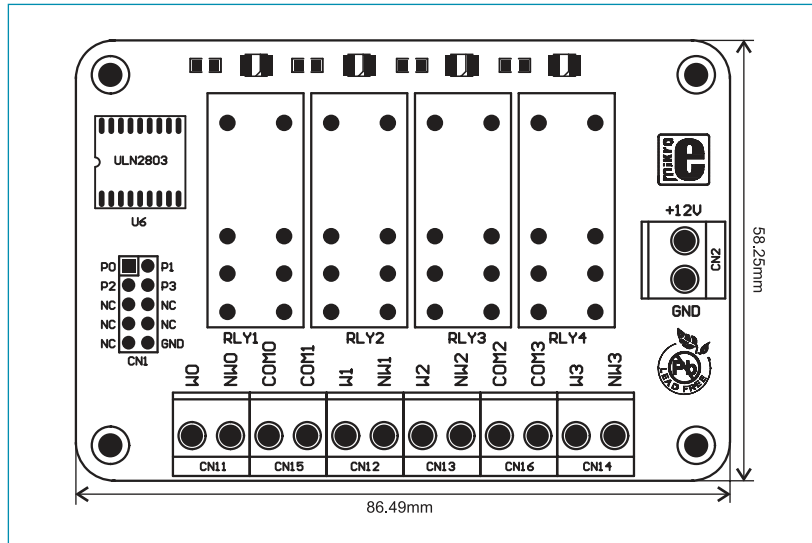


Figure 3: Dimensions of the Relay4 board



MikroElektronika
SOFTWARE AND HARDWARE SOLUTIONS FOR EMBEDDED WORLD ...making it simple

If you want to learn more about our products, please visit our website at www.mikroe.com

If you are experiencing some problems with any of our products or just need additional information, please place your ticket at www.mikroe.com/en/support

If you have any questions, comments or business proposals, do not hesitate to contact us at office@mikroe.com