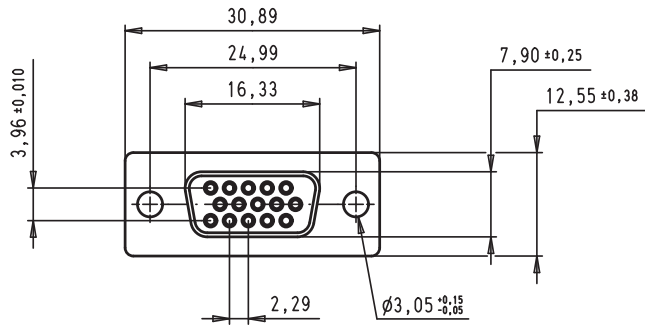
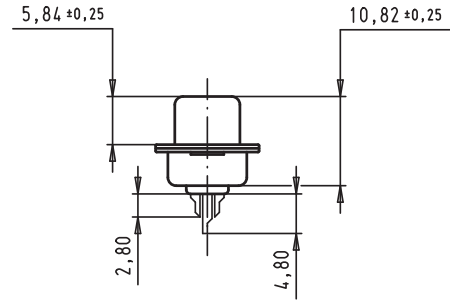
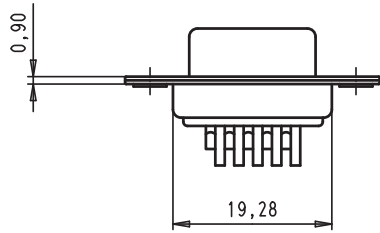




Alle Rechte vorbehalten/ All rights reserved



Entry hole type : stamped contact



09 56 100 4715.050	Gold plating: 0,76 μ m
Part number	Index designation

				Det.	Name	 All Dim. in mm Orig. Size DIN A 4	D-Sub, High Density, black, female, straight, 15 poles, solder pins and solder cups, tin plated shell with holes	Maßstab/ Scale 1,5:1	
				Detail.	14/02/07				PK
				Insp.					
				Stand.					
33938	14/02/07	PK	HARTING EURL F-95972 Paris				TB 09 56 100 4715 Sub.	Blatt/ Page 1 / 1	
Mod.	Det.	Name							