

THE INFORMATION CONTAINED HEREIN IS CONSIDERED "PROPRIETARY" TO BEL FUSE INC. AND SHALL NOT BE COPIED, REPRODUCED OR DISCLOSED WITHOUT THE WRITTEN APPROVAL OF BEL FUSE INC.

RoHS  
2002/95/EC



LED1 POLARITY			LED2 POLARITY		
PIN 13	PIN 14	COLOR	PIN 15	PIN 16	COLOR
-	+	GREEN	-	+	GREEN

**ELECTRICAL CHARACTERISTICS @ 25°C**

**URNS RATIO**

TP1	1CT : 1CT ±2%
TP2	1CT : 1CT ±2%
TP3	1CT : 1CT ±2%
TP4	1CT : 1CT ±2%

**QCL @ 100kHz/100mVRMS**

8mA DC BIAS 350µH MIN.

**INS. LOSS**

0.1MHz TO 1MHz	-1.1 dB MAX
1MHz TO 65MHz	-0.5 dB MAX
65MHz TO 100MHz	-0.8 dB MAX
100MHz TO 125MHz	-1.2 dB MAX

**RET. LOSS (MIN)**

0.5MHz-40MHz	-18 dB
40MHz-100MHz	-12+20LOG(f/80MHz) dB

**CM TO CM REJ**

100kHz - 100MHz -30 dB MIN

**CM TO DM REJ**

100kHz - 100MHz -35 dB MIN

**HIPOT (Isolation Voltage):**

1500 Vrms

100% OF PRODUCTION TESTED TO COMPLY WITH IEEE 802.3 ISOLATION REQUIREMENTS.

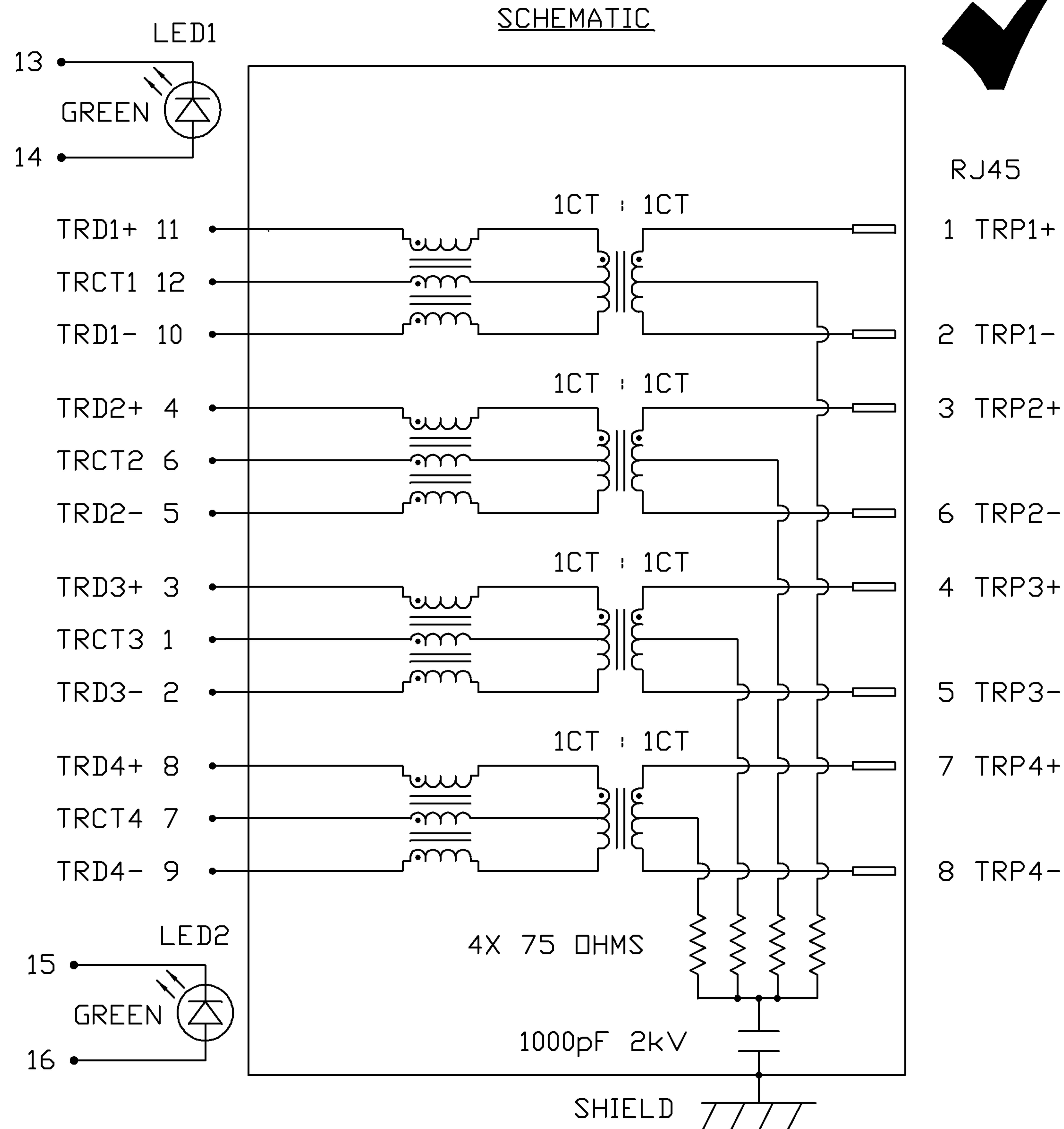
**OPERATING TEMPERATURE:**

-40 TO +85°C

**LED 1 & 2**

VF (FORWARD VOLTAGE) IF=20mA GREEN 2.2V TYP.

LD (DOMINANT WAVELENGTH) IF=20mA GREEN 565nm TYP.



ORIGINATED BY	DATE	TITLE	PART NO. / DRAWING NO.	STANDARD DIM. TOL. IN INCH	[ ] METRIC DIM. AS REFERENCE
CHOW WANCHUNG	09-17-08	gigabit MagJack® (Extended Temperature, Tab Up)	08261G1T32-F	.X	UNIT : INCH [mm]
DRAWN BY	DATE		FILE NAME	.XX	SCALE : N/A
LI YONGFENG	09-17-08	0826-1G1T-32-F	08261G1T32-F_A.DWG	.XXX	REV. : A
					SIZE : A4
					PAGE : 2



THE INFORMATION CONTAINED HEREIN IS CONSIDERED "PROPRIETARY" TO BEL FUSE INC. AND SHALL NOT BE COPIED, REPRODUCED OR DISCLOSED WITHOUT THE WRITTEN APPROVAL OF BEL FUSE INC.

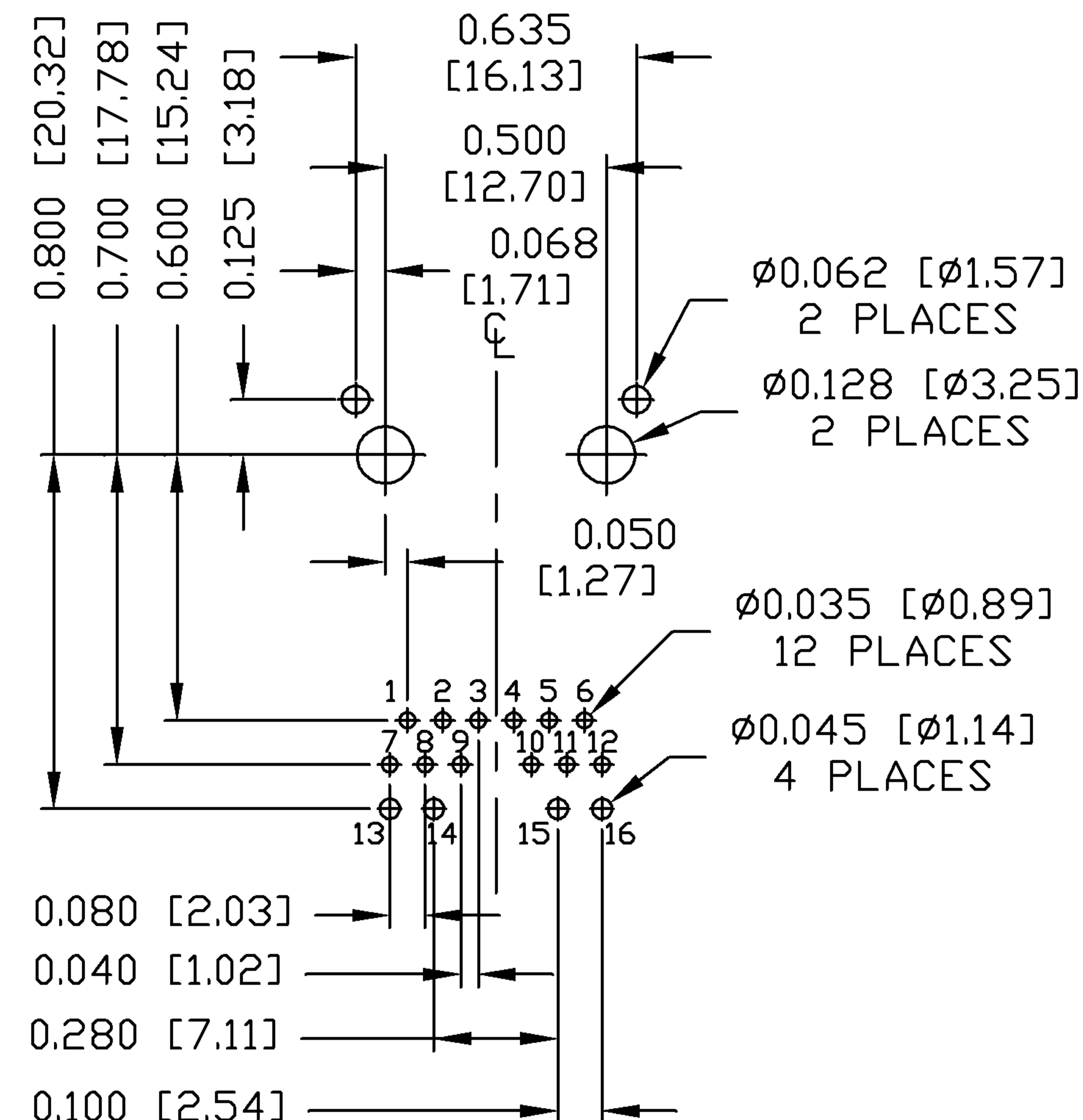
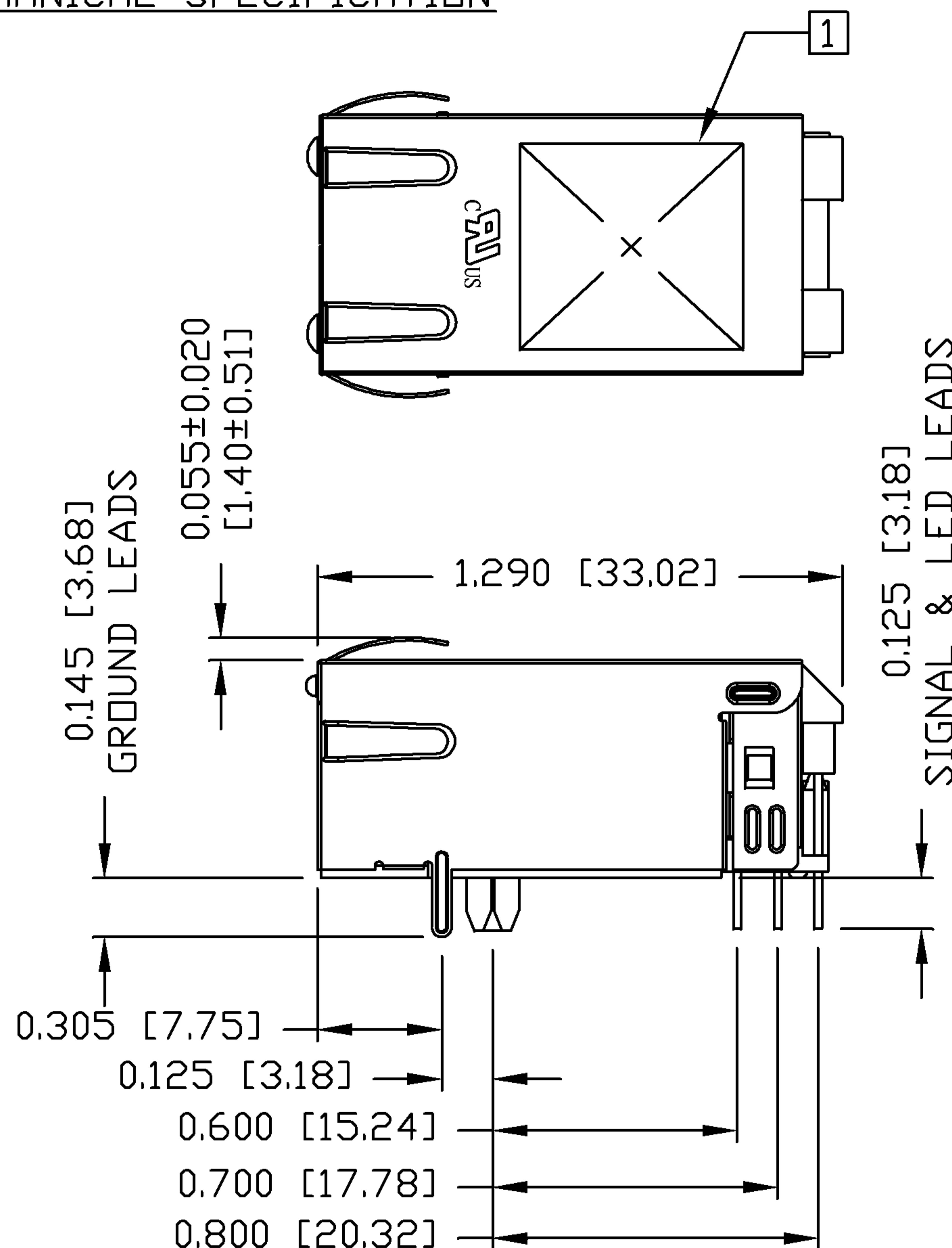
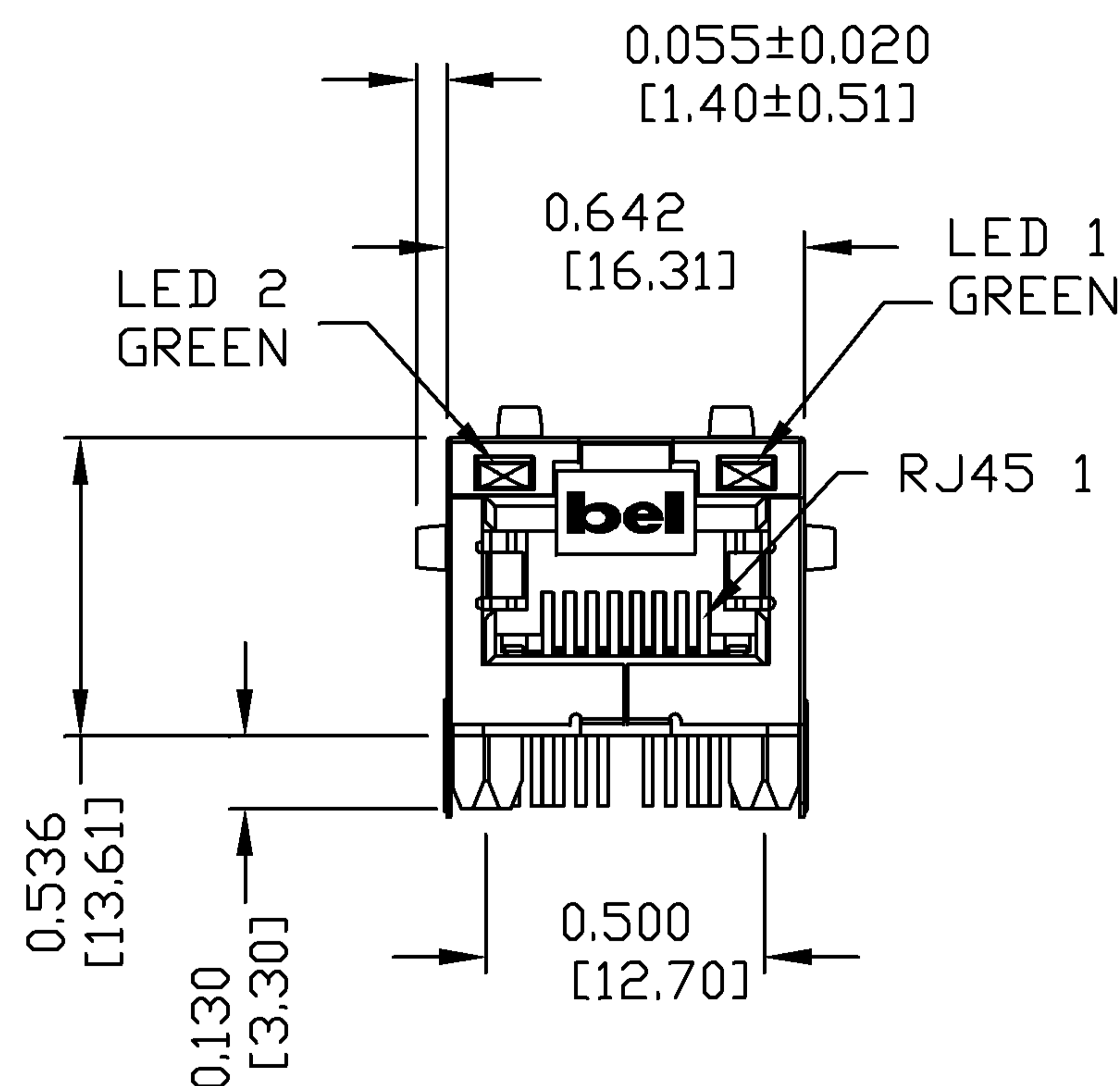
RoHS  
2002/95/EC



MECHANICAL SPECIFICATION

RECOMMENDED PCB FOOTPRINT

COMPONENT SIDE VIEW



NOTES:

PLASTIC HOUSING: THERMOPLASTIC PA  
 FLAMMABILITY RATING UL 94V-0  
 CONTACTS: 50 MICRO-INCH HARD GOLD PLATING  
 OUTPUT PINS: TIN-COATED COPPER WIRE, DIA 0.018 INCH.  
 METAL SHIELD: NICKEL PLATED ON COPPER ALLOY.  
 (ALL GROUND LEADS ARE SOLDER DIPPED)

1. MARK PART WITH MFG LOGO, MFG NAME, PART NUMBER, AND DATE CODE.

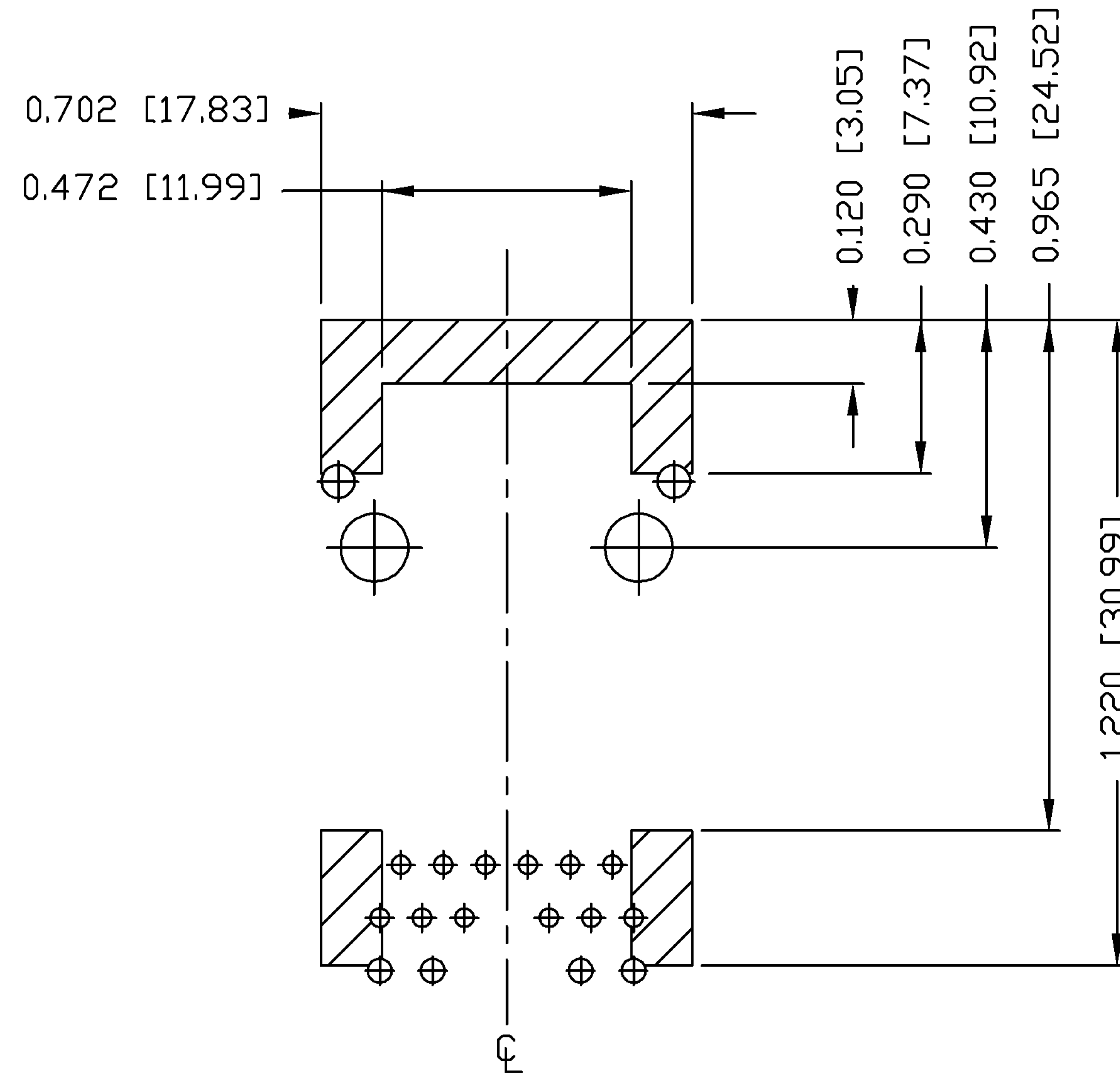
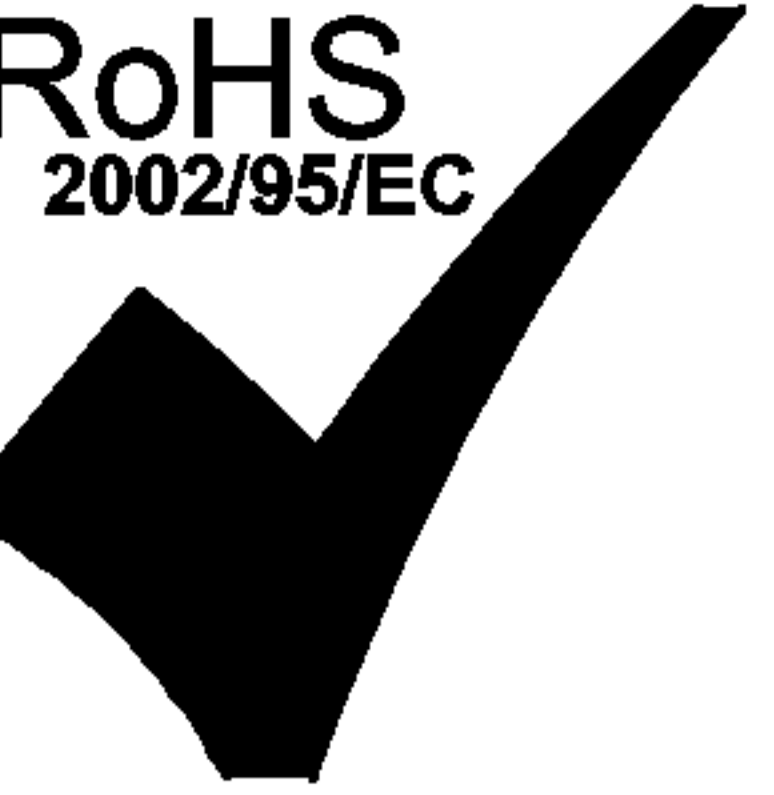
**UL** US UL RECOGNIZED - FILE #E196366 AND E169987.  
 JACK CAVITY CONFORMS TO FCC RULES AND REGULATIONS.  
 RoHS COMPLIANCE, PER EU DIRECTIVE 2002/95/EC.

ORIGINATED BY BILL CHEN	DATE 09-17-08	TITLE gigabit MagJack® (Extended Temperature, Tab Up)	PART NO. / DRAWING NO. 08261G1T32-F	STANDARD DIM. TOL. IN INCH	[ ] METRIC DIM. AS REFERENCE	<p>COMPONENTS FOR A CONNECTED PLANET</p>
DRAWN BY LIU QIN	DATE 09-17-08	FILE NAME 0826-1G1T-32-F	.X	UNIT : INCH [mm]	REV. : A	
			.XX	SCALE : N/A	SIZE : A4	
			.XXX ±0.010		PAGE : 3	



THE INFORMATION CONTAINED HEREIN IS CONSIDERED "PROPRIETARY" TO BEL FUSE INC. AND SHALL NOT BE COPIED, REPRODUCED OR DISCLOSED WITHOUT THE WRITTEN APPROVAL OF BEL FUSE INC.

RoHS  
2002/95/EC



NOTES

THE SHADED AREA ON THE CUSTOMER BOARD ARE RECOMMENDED TO BE CLEAR OFF ANY VIA HOLE OR COMPONENT PAD.

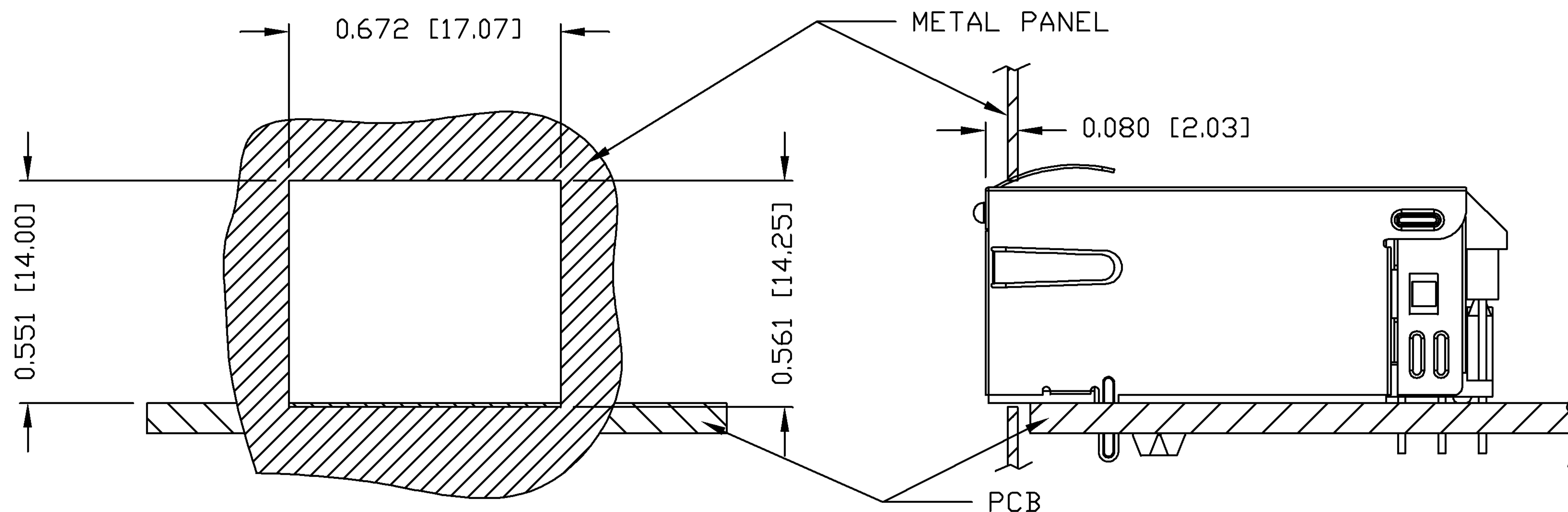
ORIGINATED BY BILL CHEN	DATE 09-17-08	TITLE gigabit MagJack® (Extended Temperature, Tab Up)	PART NO. / DRAWING NO. 08261G1T32-F	STANDARD DIM. TOL. IN INCH	[ ] METRIC DIM. AS REFERENCE	 <b>bel</b> COMPONENTS FOR A CONNECTED PLANET
DRAWN BY LIU QIN	DATE 09-17-08		FILE NAME 08261G1T32-F_A.DWG	.X	UNIT : INCH [mm]	
			.XX	SCALE : N/A	SIZE : A4	
			.XXX	±0.004	PAGE : 4	

THE INFORMATION CONTAINED HEREIN IS CONSIDERED "PROPRIETARY" TO BEL FUSE INC. AND SHALL NOT BE COPIED, REPRODUCED OR DISCLOSED WITHOUT THE WRITTEN APPROVAL OF BEL FUSE INC.

RoHS  
2002/95/EC



SUGGESTED PANEL OPENING



NOTE:

THE DISTANCE OF PANEL INSIDE SURFACE RELATIVE TO FRONT SURFACE OF PART IS ONLY A SUGGESTION. IN CASE THIS DISTANCE IS DIFFERENT, THE REQUIRED PANEL OPENING DIMENSIONS CHANGE ACCORDINGLY.

PACKING INFORMATION

PACKING TRAY : 0200-9999-F6 (TOP)  
0200-9999-F7 (BOTTOM)

PACKING QUANTITY : 40 PCS FINISHED GOODS PER TRAY  
10 TRAYS (400 PCS FINISHED GOODS) PER CARTON BOX

NOTE : CARDBOARDS ARE PLACED BETWEEN LAYERS OF PACKING TRAY INSIDE CARTON BOX  
(INCLUDE THE UPPERMOST AND LOWERMOST TRAY)

ORIGINATED BY BILL CHEN	DATE 09-17-08	TITLE gigabit MagJack® (Extended Temperature, Tab Up)	PART NO. / DRAWING NO. 08261G1T32-F	STANDARD DIM. TOL. IN INCH	[ ] METRIC DIM. AS REFERENCE	 COMPONENTS FOR A CONNECTED PLANET
DRAWN BY LIU QIN	DATE 09-17-08	FILE NAME 0826-1G1T-32-F	08261G1T32-F_A.DWG	.X	UNIT : INCH [mm]	
				.XX	SCALE : N/A	
				.XXX ±0.004	REV. : A SIZE : A4 PAGE : 5	