

4

3

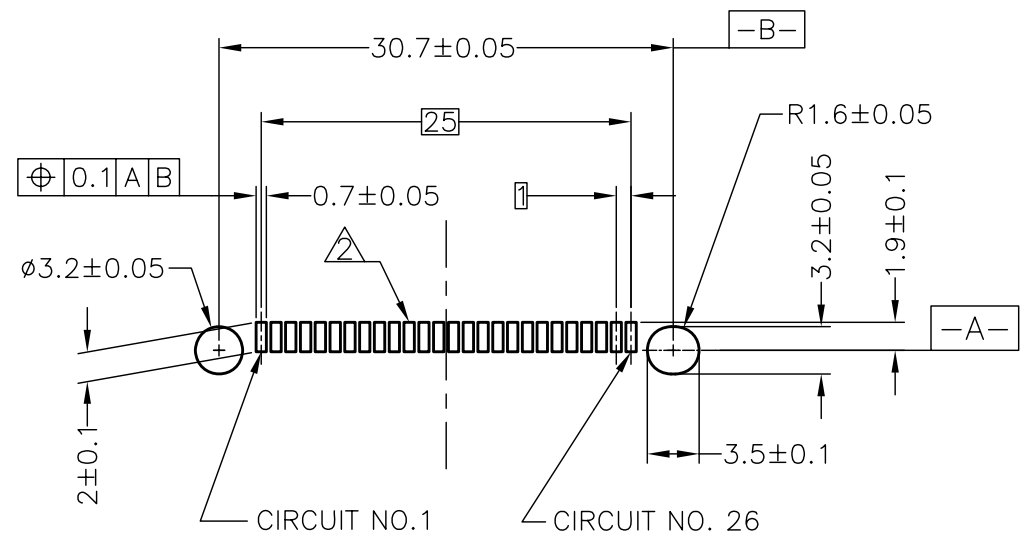
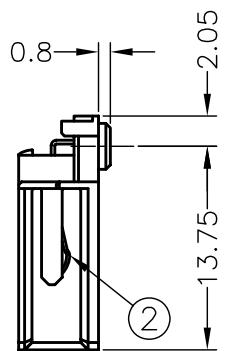
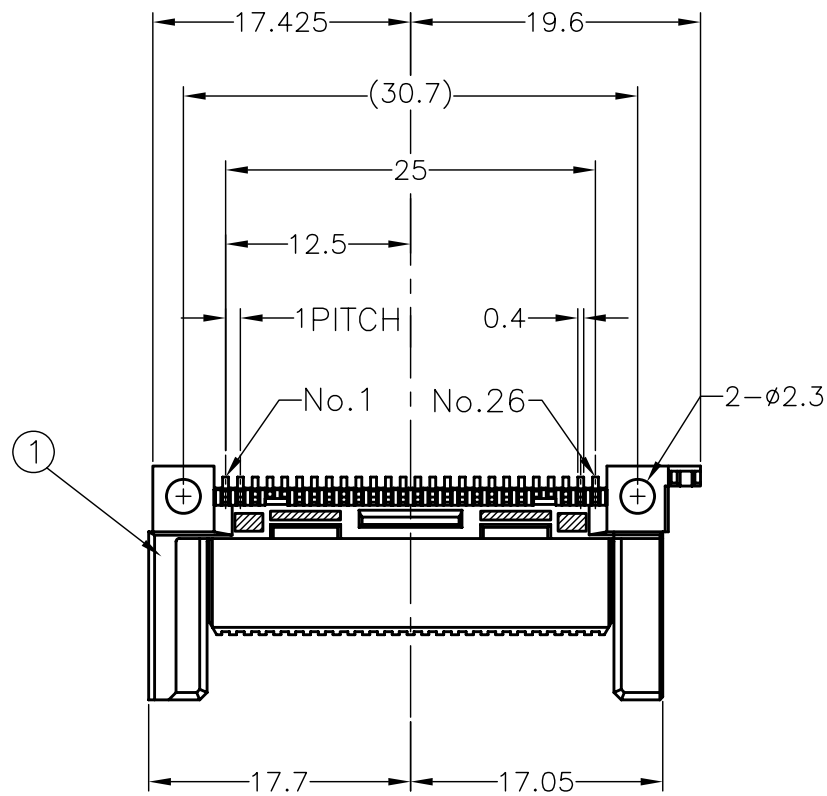
2

1

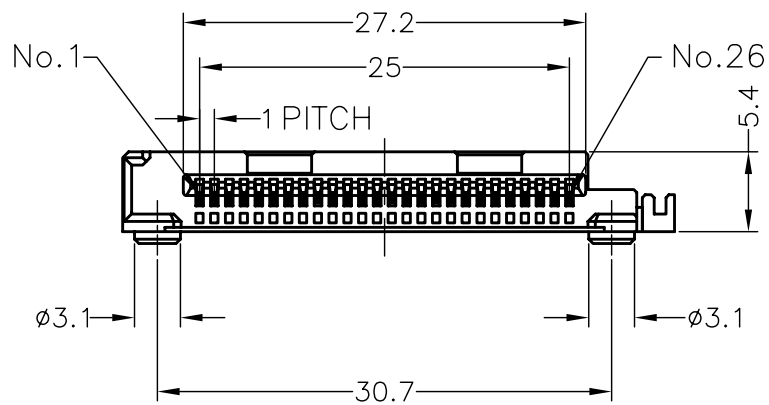
THIS DRAWING IS UNPUBLISHED. RELEASED FOR PUBLICATION

© COPYRIGHT BY TYCO ELECTRONICS CORPORATION. ALL RIGHTS RESERVED.

LOC	DIST	REVISIONS					
DW		P	LTR	DESCRIPTION	DATE	DWN	APVD
		C		REVISED (ECR-08-023963)	18SEP08	W.C	H.K



REFERENCE P.C.BOARD LAYOUT
 GENERAL TOLERANCE ±0.05
 (SCALE: 2:1)
 (HEADER CONNECTOR MOUNTING LAYOUT DETAIL)



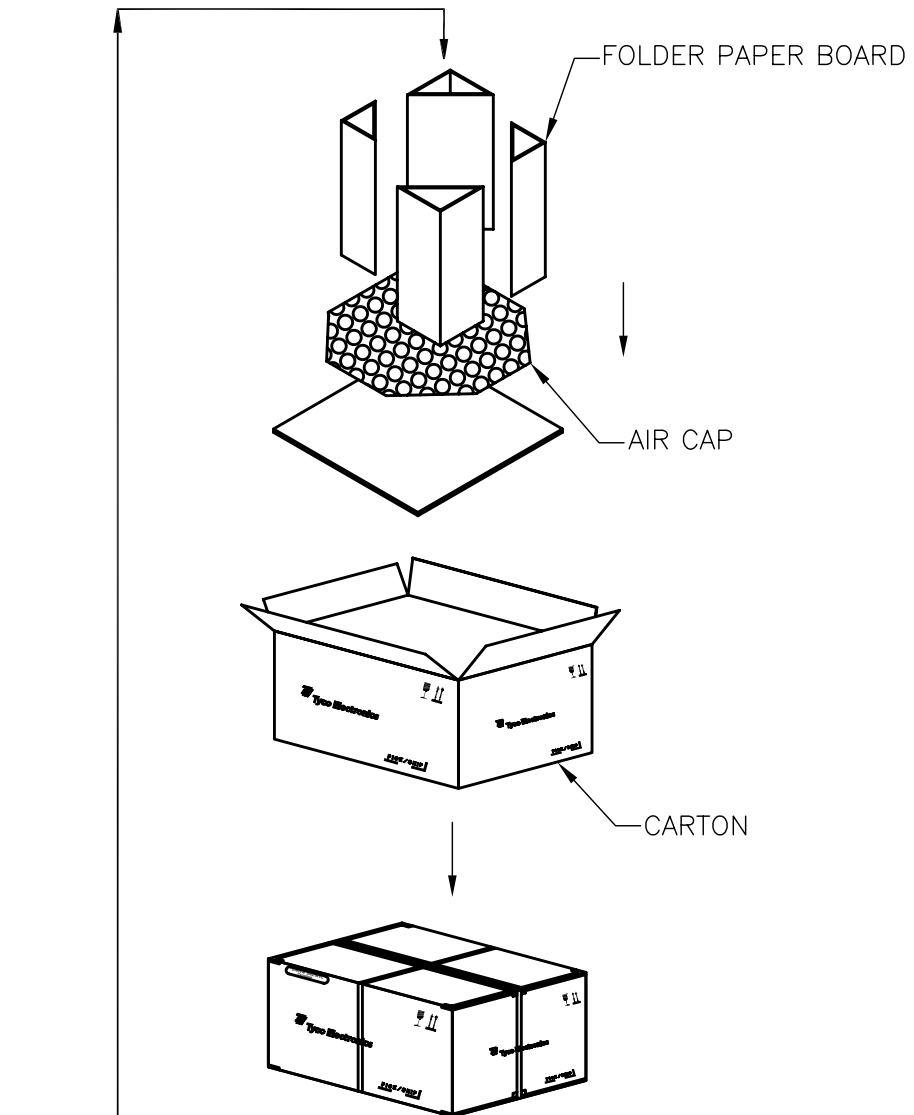
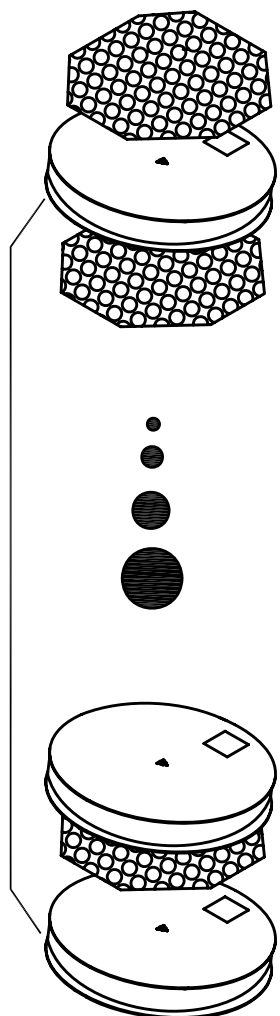
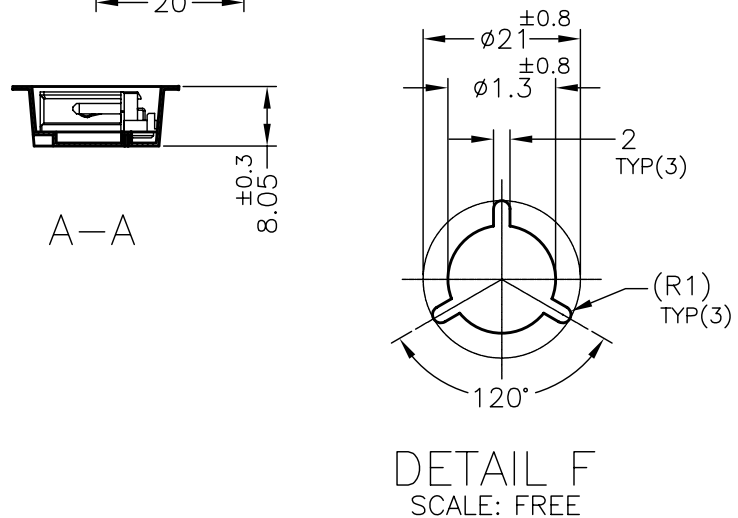
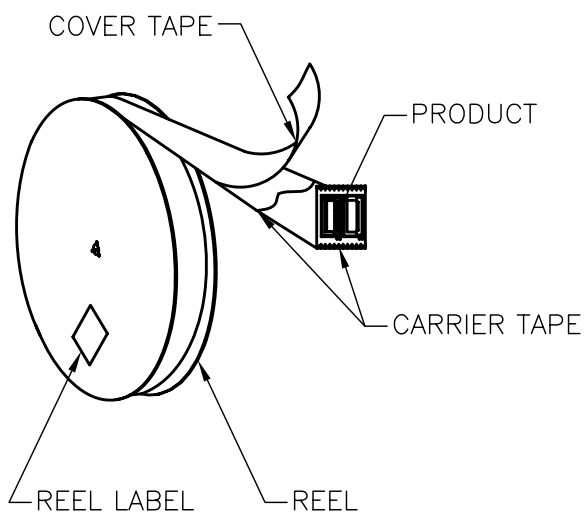
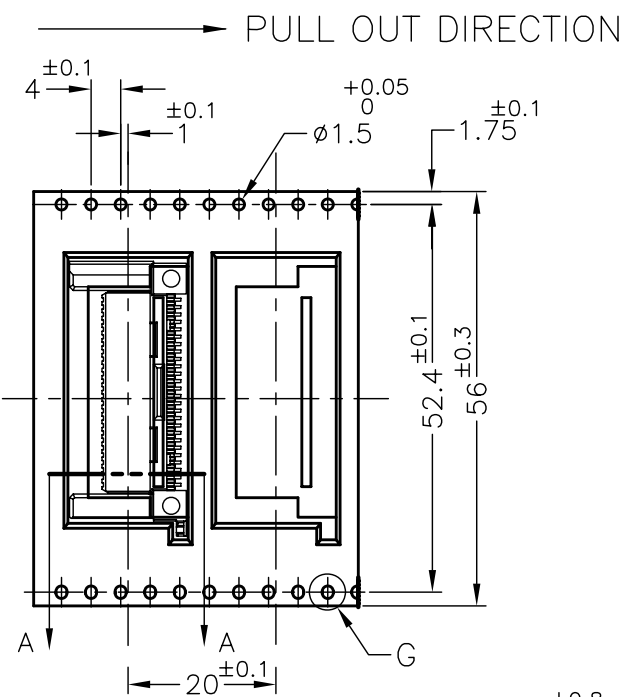
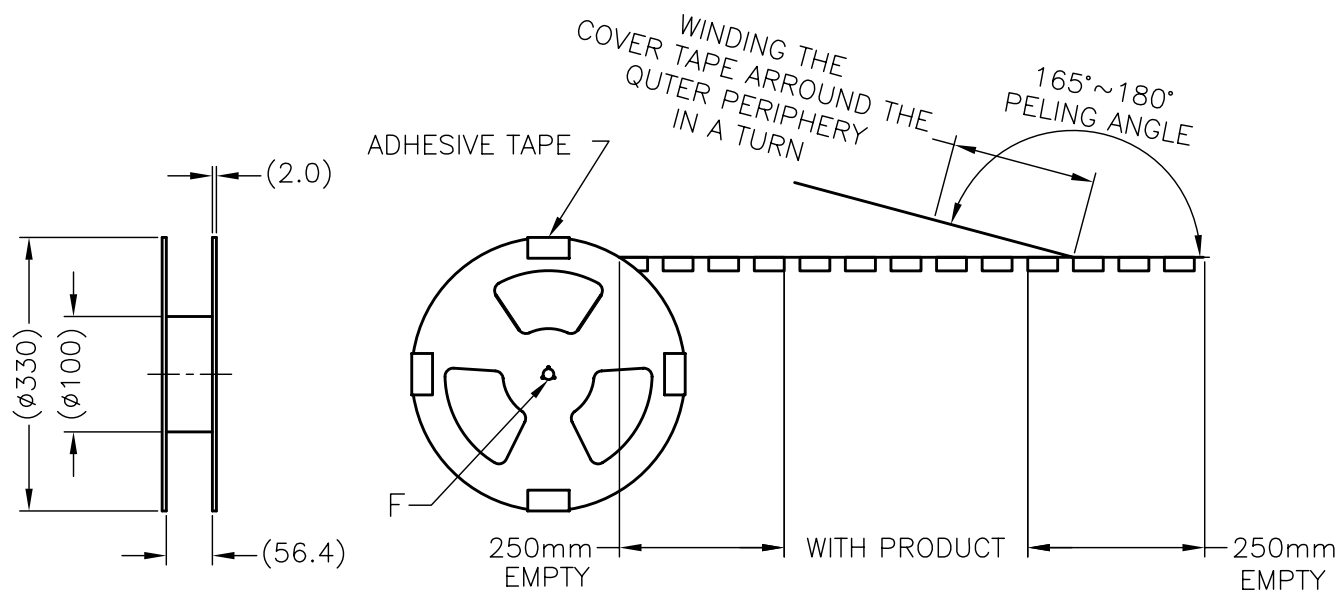
1. BE USE ALTOGETHER THE HEADER AND TYCO ELECTRONICS'S FRAME
 △ SOLDER PAD

COPPER ALLOY Au 0.000381mm MIN., TIN 0.002mm MIN. Ni 0.00127mm MIN. UNDERPLATING ALL OVER	HIGH TEMP THERMOPLASTIC UL94 V-0 COLOR:BLACK	26	1759011-2
COPPER ALLOY Au 0.0002mm MIN., TIN 0.002mm MIN. Ni 0.00127mm MIN. UNDERPLATING ALL OVER	HIGH TEMP THERMOPLASTIC UL94 V-0 COLOR:BLACK	26	1759011-1
② CONTACT	① HEADER HSG	POS.	PART NUMBER
MATERIAL & FINISH			

THIS DRAWING IS A CONTROLLED DOCUMENT.		DWN M.CHAO 16FEB05	Tyco Electronics Tyco Electronics Corporation Taipei, Taiwan	
DIMENSIONS: mm		CHK T.FUTATSUGI 16FEB05	NAME	
TOLERANCES UNLESS OTHERWISE SPECIFIED:		APVD H.KODAMA 16FEB05	PRODUCT SPEC	
0 PLC ± 0.5 1 PLC ± 0.5 2 PLC ± 0.5 3 PLC ± 0.5 4 PLC ± 0.5 ANGLES ± 1°		APPLICATION SPEC	108-99000	
MATERIAL		WEIGHT	SIZE	CAGE CODE
FINISH		1.25 g	A3	00779
		CUSTOMER DRAWING	DRAWING NO	RESTRICTED TO
			C-1759011	
		SCALE	SHEET	REV
		2:1	1 OF 2	C

THIS DRAWING IS UNPUBLISHED. RELEASED FOR PUBLICATION
 © COPYRIGHT BY TYCO ELECTRONICS CORPORATION. ALL RIGHTS RESERVED.

LOC	DIST	REVISIONS		
DW		P	LTR	DESCRIPTION
				DATE
				DWN
				APVD
				—
				—
				—



3. PACKING MATERIAL: CARRIER TAPE: HIPS; COLOR: CLEAR.
 COVER TAPE: PET; COLOR: CLEAR.
 4. CARTON DIMENSIONS: 355X355X310

350	4	1400
PCS/REEL	REEL/CARTON	TOTAL Q'TY

THIS DRAWING IS A CONTROLLED DOCUMENT.

DIMENSIONS:	TOLERANCES UNLESS OTHERWISE SPECIFIED:	DWN	Tyco Electronics Tyco Electronics Corporation Taipei, Taiwan
mm		CHK	
	0 PLC ± 1	APVD	NAME
	1 PLC ± 1	PRODUCT SPEC	HEADER ASSEMBLY
	2 PLC ± 1	APPLICATION SPEC	TOP MOUNT, CARD PUSH TYPE
	3 PLC ± 1	WEIGHT	ExpressCard CONNECTOR
	4 PLC ± 1	CUSTOMER DRAWING	SIZE
	ANGLES ± 3'		CAGE CODE
	FINISH		DRAWING NO
			A3 00779 C-1759011
			RESTRICTED TO
			SCALE
			1:1
			SHEET
			2 OF 2
			REV
			C