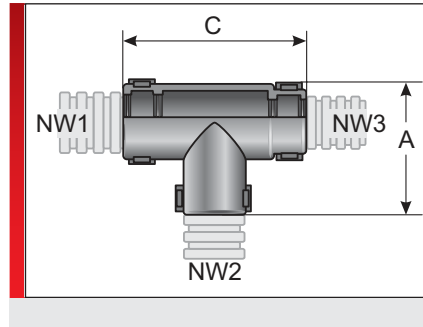
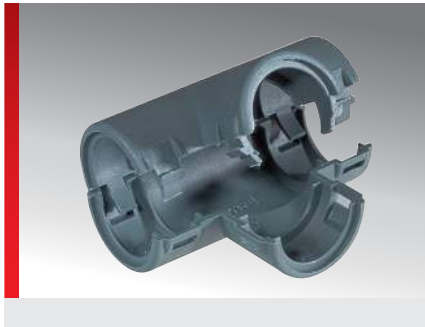


Type VT



Conduit distributor

PRODUCT INFORMATION

The VT conduit distributors are made of specially modified polyamide 6. They are used for coupling Murrplastik cable protection conduits of the same and different diameters.

The distributors feature the following advantages:

- Easy assembly by latching
- Split version makes routing of cables easy
- Distributor envelops the conduit, which means that the entire inside diameter of the conduit is available

SPECIFICATIONS

- Mod. polyamide PA 6
- IP 42
- 40 – 110 °C transient / short term
140 °C
- V0 self-extinguishing

RoHS

Type	Order No.	Colour	for Murrflex with NW1 / NW2 / NW3	A mm	C mm	Pack qty.
Hose distributor suitable for Murrflex EW and EWX						
VT 080808	83702410	Black	06 / 06 / 06	31.10	45.20	10
VT 120808	83702412	Black	09 / 06 / 06	31.10	45.20	10
VT 120812	83702414	Black	09 / 06 / 09	31.10	45.20	10
VT 121208	83702416	Black	09 / 09 / 06	31.10	45.20	10
VT 121212	83702418	Black	09 / 09 / 09	31.10	45.20	10
VT 160816	83702420	Black	11 / 06 / 11	34.80	49.10	10
VT 161212	83702422	Black	11 / 09 / 09	34.80	49.10	10
VT 161216	83702424	Black	11 / 09 / 11	34.80	49.10	10
VT 161612	83702426	Black	11 / 11 / 09	34.80	49.10	10
VT 161616	83702428	Black	11 / 11 / 11	34.80	49.10	10
VT 200820	83702430	Black	16 / 06 / 16	41.00	56.50	10
VT 201216	83702432	Black	16 / 09 / 11	41.00	56.50	10
VT 201220	83702434	Black	16 / 09 / 16	41.00	56.50	10
VT 201616	83702436	Black	16 / 11 / 11	41.00	56.50	10
VT 201620	83702438	Black	16 / 11 / 16	41.00	56.50	10
VT 202016	83702440	Black	16 / 16 / 11	41.00	56.50	10
VT 202020	83702441	Black	16 / 16 / 16	41.00	56.50	10
VT 281220	83702442	Black	21 / 09 / 16	48.60	64.50	10
VT 281620	83702444	Black	21 / 11 / 16	48.60	64.50	10
VT 282020	83702446	Black	21 / 16 / 16	48.60	64.50	10
VT 281228	83702448	Black	21 / 09 / 21	48.60	64.50	10
VT 281628	83702450	Black	21 / 11 / 21	48.60	64.50	10
VT 282028	83702452	Black	21 / 16 / 21	48.60	64.50	10
VT 282828	83702454	Black	21 / 21 / 21	48.60	64.50	10

Type VT

Type	Order No.	Colour	for Murrflex with NW1 / NW2 / NW3	A mm	C mm	Pack qty.
VT 321632	83702456	Black	29 / 11 / 29	55.30	72.00	10
VT 322032	83702458	Black	29 / 16 / 29	55.30	72.00	10
VT 323232	83702460	Black	29 / 29 / 29	72.00	55.30	10

MATERIAL PROPERTIES



Mod. polyamide PA 6

MECHANICAL PROPERTIES



Protection class
IP 42

THERMAL PROPERTIES



Temperature / temperature range
-40 – 110 °C transient / short term 140 °C

FIRE BEHAVIOUR



Fire classification
V0 self-extinguishing

TECHNICAL INFORMATION



Halogen-free

CONFORMITY



RoHS (EC Directive 202/95/EC)

All details given in our sales material prospectuses and catalogues as well as the information available online are based on our current knowledge of the products described.

The electronic data and files made available by Murrplastik, particularly CAD files are based on our current knowledge of the product described.

A legally binding assurance of certain properties or the suitability for a certain purpose can not be determined from this information.

All information with respect to the chemical and physical properties of Murrplastik products as well as application advice given verbally, in writing or by tests, is given to the best of our knowledge.

This does not free the purchaser of carrying out their own inspections and tests in order to determine the suitability of a product for a specific purpose.

Murrplastik accepts no responsibility for the available information being up-to-date, correct or complete. Neither do we accept responsibility for the quality of this information.

Murrplastik accepts no liability for damage caused as a result of using our products.

Murrplastik reserves the right to make technical changes and improvements through constant further development of products and services.

Our General Terms and Conditions apply.

© Murrplastik Systemtechnik GmbH • prodID_65891~20161201~890283~suv_vt