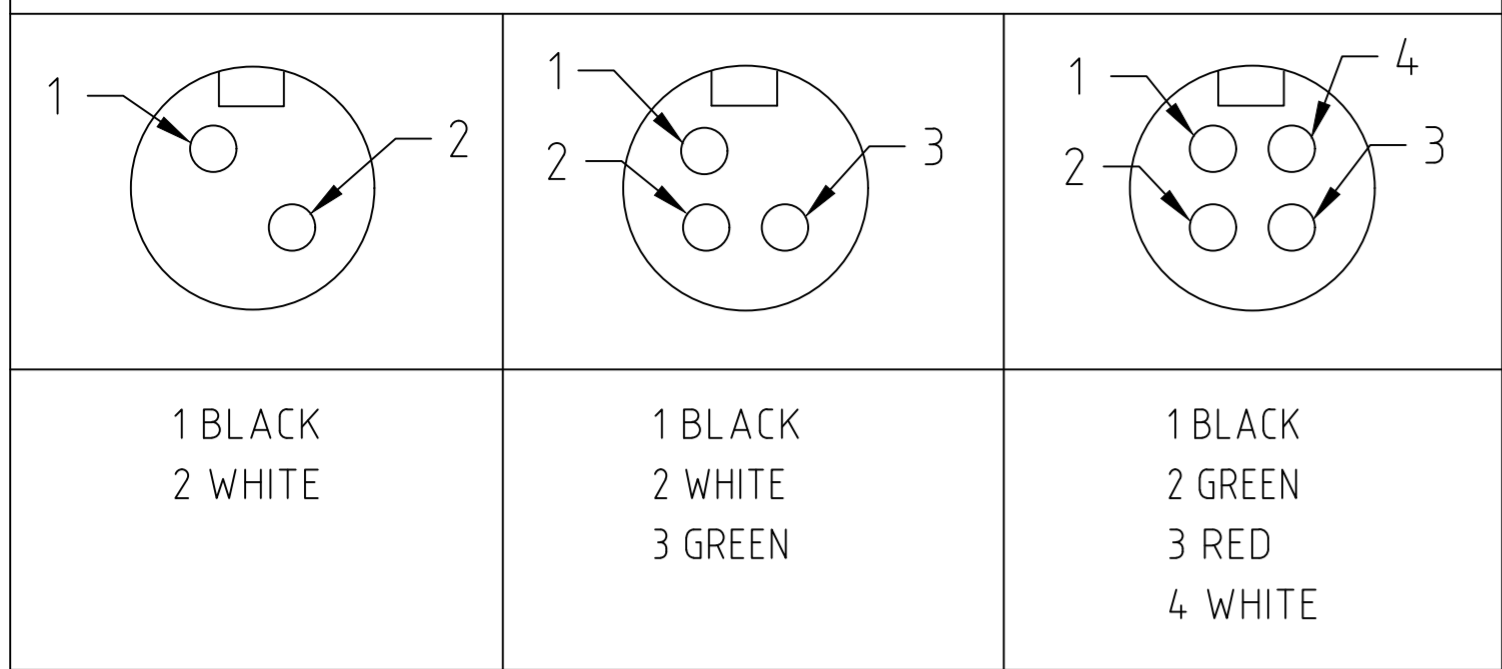
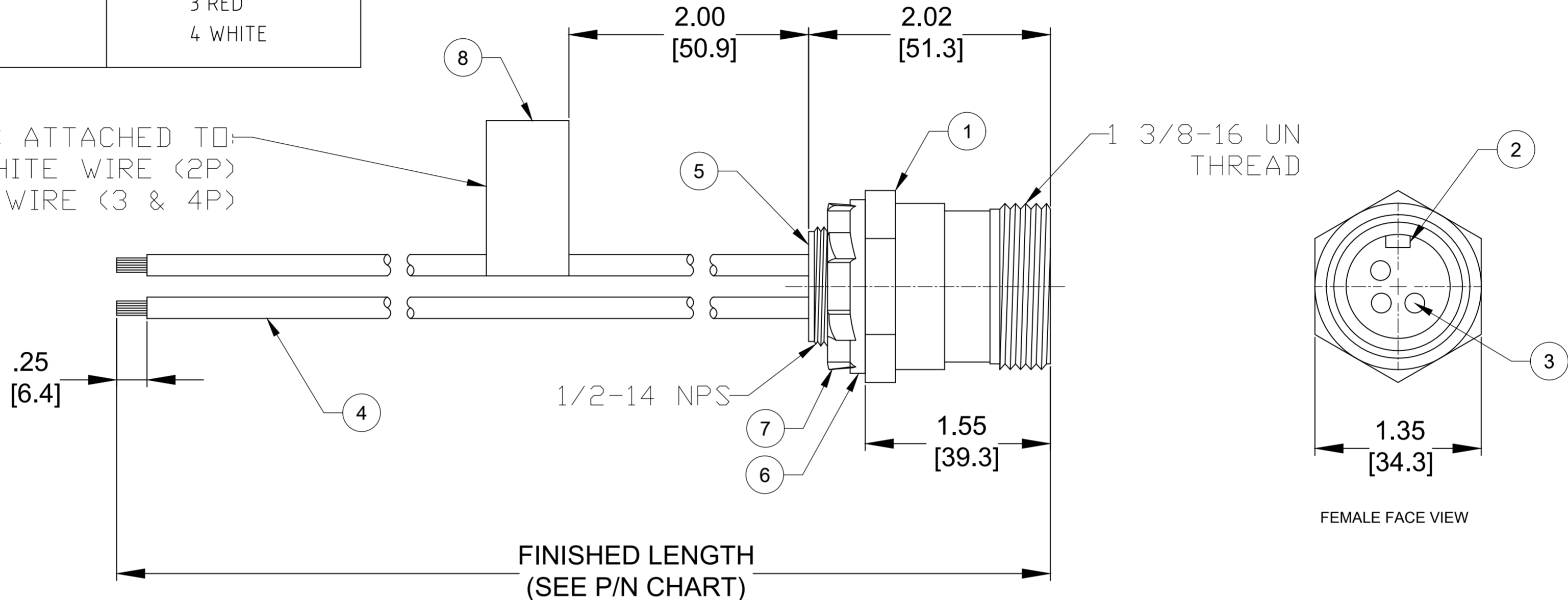


FACE VIEW-FEMALE INSERT



MATERIAL NO.	ENGINEERING NO.	POLES	FINISHED LENGTH
1300030077	6R2004A29A120	2	12IN [305mm]
1300030088	6R3004A29A120	3	12IN [305mm]
1300030089	6R3004A29F030	3	3.0FT [0.9M]
1300030055	32682	4	12IN [305mm]
1300030124	6R4004A29A120	4	12IN [305mm]
1300030128	6R4004A29F060	4	6.0 FT. [1.8M]

LABEL IS ATTACHED TO:  
WHITE WIRE (2P)  
GREEN WIRE (3 & 4P)



- NOTES:
- MATERIAL: AS NOTED
  - FINISH: AS NOTED
  - ELECTRICAL:  
VOLTAGE: 600V AC/DC  
CURRENT: 2 & 3 POLE: 25A  
4 POLE: 20A
  - TEMP RATING: -20°C TO +105°C
  - PROTECTION: IP67 (WHEN MATED)
  - COUPLING THREAD: AS NOTED
  - UL CERTIFIED FILE: E46237  
CSA CERTIFIED FILE: LR6837
  - ALL DIMS ARE FOR REFERENCE UNLESS TOLERANCED OR NOTED OTHERWISE

**PART NUMBER LEGEND**

6R2004A29A120

POLES 2-4

FINISHED LENGTH:  
A120= 12 INCHES  
F020= 2 FOOT  
F100= 10 FEET  
M005= 0.5 METER  
M010= 1 METER  
M100= 10 METER

**CABLE LENGTH TOLERANCES**

>.3M [1FT]:	+19mm-0 [+0.75in-0]
.3 - .9M [1 - 3FT]:	+44.5mm-0 [+1.75in-0]
.9 - 1.8M [3 - 6FT]:	+55.6mm-0 [+2.19in-0]
1.8 - 3.7M [6 - 12FT]:	+88.9mm-0 [+3.50in-0]
3.7 - 7.3M [12 - 24FT]:	+165.1mm-0 [+6.50in-0]
7.3-14.6M [24 - 48FT]:	+317.5mm-0 [+12.50in-0]
14.6 - 30.5M [48-100FT]:	+622.3mm-0 [+24.50in-0]
OVER 30M [100FT]	+2% OF FINISHED LENGTH

ITEM	DESCRIPTION	MATERIAL	FINISH
8	WRAP LABEL	VINYL	BLACK/YELLOW
7	LOCK NUT	STEEL	ZINC PLATED
6	GASKET SEAL	NEOPRENE	BLACK
5	POTTING MATERIAL	EPOXY	
4	WIRE, 12 AWG, UL 1015	PVC INSULATION	SEE FACE VIEWS
3	CONTACT SOCKET	COPPER ALLOY	GOLD PLATED
2	FEMALE INSERT	RUBBER	YELLOW
1	RECEPTACLE SHELL	NYLON	BLACK

THIS DRAWING CONTAINS INFORMATION THAT IS PROPRIETARY TO MOLEX ELECTRONIC TECHNOLOGIES, LLC AND SHOULD NOT BE USED WITHOUT WRITTEN PERMISSION

SYMBOLS: DIMENSION UNITS: INCH/MM, SCALE: 1:1, CURRENT REV DESC: RELEASED

GENERAL TOLERANCES (UNLESS SPECIFIED): 4 PLACES ± .005, 3 PLACES ± .004, 2 PLACES ± .003, 1 PLACE ± .002, 0 PLACES ± .001

ANGULAR TOL ± .005°

DRAFT WHERE APPLICABLE MUST REMAIN WITHIN DIMENSIONS

THIRD ANGLE PROJECTION, DRAWING: C-SIZE, SERIES: 130003

EC NO: 625795, DRWN: RSTONE, 2019/09/30, CHK'D: MZIELINSKI, 2019/10/16, APPR: BWOODMAN, 2019/10/25

INITIAL REVISION: DRWN: RSTONE, 2019/09/30, APPR: BWOODMAN, 2019/10/25

DOCUMENT NUMBER: 1300030077, DOC TYPE: PSD, DOC PART: 000, REVISION: A

MATERIAL NUMBER: SEE MAT. NO. CHART, CUSTOMER: ---, SHEET NUMBER: 1 OF 1