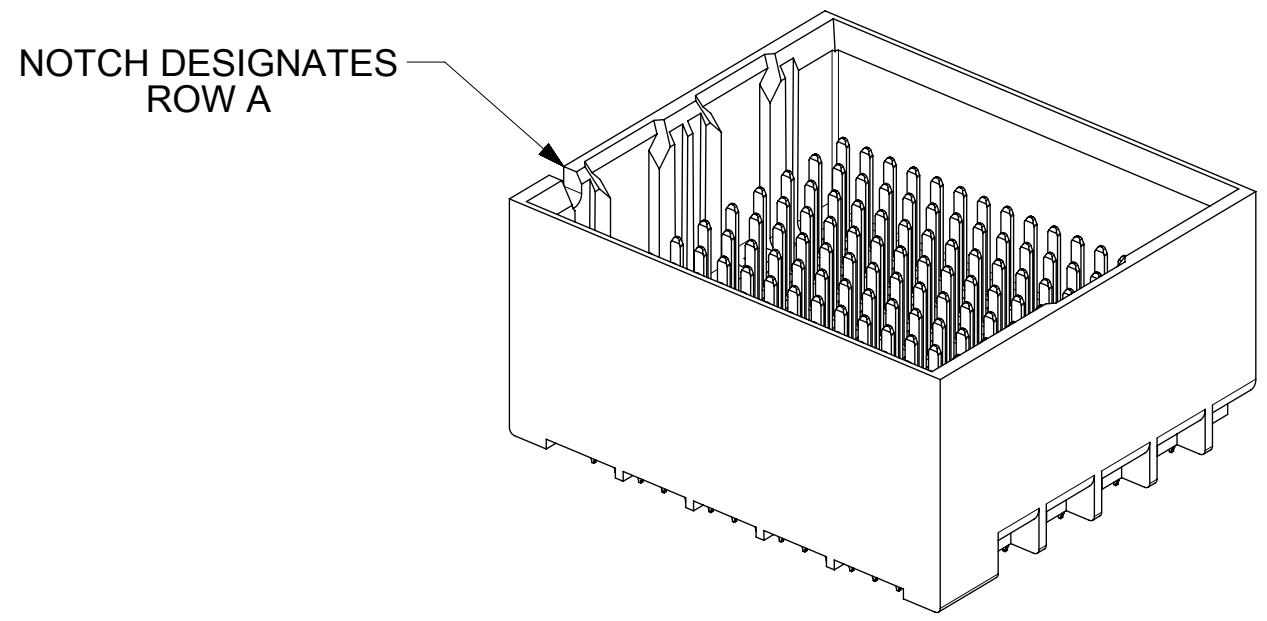


KEEP OUT ZONE
 UNGUIDED BACKPLANE HOLE PATTERN (CONNECTOR SIDE) SEE NOTE 9
 $\varnothing 0.10$
 SEE PART NUMBER CHART AND PART NUMBER LOGIC (15 HOLES PER COLUMN)

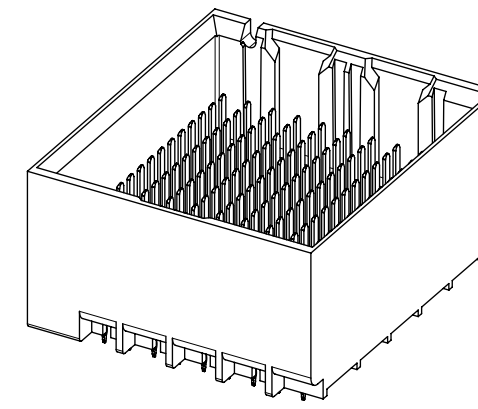


- NOTES:
- MATERIALS: HOUSING - LIQUID CRYSTAL POLYMER (LCP) GLASS-FILLED, UL94V-0
 TERMINALS - HIGH PERFORMANCE COPPER ALLOY
 - FINISH: 10 μINCH MIN GOLD IN CONTACT AREA.
 SELECTIVE MATTE TIN (LEAD-FREE) ON PCB TAILS, NICKEL OVERALL.
 - REFER TO MOLEX PRODUCT SPECIFICATION PS-76060-999 FOR PERFORMANCE SPECIFICATIONS AND ADDITIONAL PCB INFORMATION.
 - THIS PART CONFORMS TO CLASS B REQUIREMENTS OF MOLEX COSMETIC SPEC PS-45499-002.
 - PARTS PACKAGED PER PK-70873-7702.
 - SEE SHEETS 2 & 3 FOR PART NUMBERS AND BOARD RELATIONSHIPS.
 - MATES WITH IMPACT DC SERIES NO. 76060.
 - REFER TO MOLEX PCB ROUTING GUIDE AS-76060-990 FOR ANTIPAD AND ROUTING RECOMMENDATIONS.
 - "THESE DIMENSIONS REPRESENT THE AREA NEEDED TO ACCOMMODATE CONNECTOR INSERTION AND REPAIR ON THE PC BOARD. THIS IS REFERRED TO AS THE "CONNECTOR KEEP OUT ZONE" AND DOES NOT REPRESENT THE ACTUAL PERIMETER OF THE CONNECTOR. WHEN LAYING OUT A PC BOARD FOR CONNECTORS STACKED TOGETHER, USE THE 1.9mm PROGRESSION."

THIS DRAWING CONTAINS INFORMATION THAT IS PROPRIETARY TO MOLEX ELECTRONIC TECHNOLOGIES, LLC AND SHOULD NOT BE USED WITHOUT WRITTEN PERMISSION									
SYMBOLS		DIMENSION UNITS		SCALE		CURRENT REV DESC: MIGRATED TO NX			
= 0		mm		4:1		EC NO: 610093			
= 0		GENERAL TOLERANCES (UNLESS SPECIFIED)				DRWN: SKRISHNAMURT 2018/09/04			
= 0		ANGULAR TOL ± 0.5°				CHK'D: HLG0H 2018/10/25			
= 0		4 PLACES ±				APPR: HLG0H 2019/01/10			
= 0		3 PLACES ±				INITIAL REVISION:			
= 0		2 PLACES ± 0.13				DRWN: JBINGHAM 2011/11/21			
= 0		1 PLACE ± 0.25				APPR: JLAURX 2011/12/02			
= 0		0 PLACES ±				THIRD ANGLE PROJECTION		DRAWING SERIES	
= 0		DRAFT WHERE APPLICABLE MUST REMAIN WITHIN DIMENSIONS				C-SIZE		171296	
= 0						MATERIAL NUMBER		CUSTOMER	
						SEE CHART		GENERAL MARKET	
						DOCUMENT NUMBER		DOC TYPE DOC PART REVISION	
						SD-171296-0001		PSD 001 B1	
						SHEET NUMBER		1 OF 3	

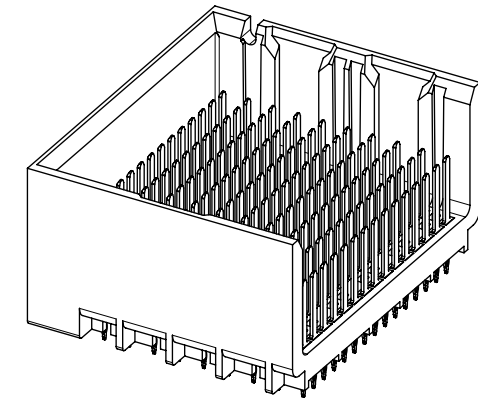
PART NUMBER CHART

MATERIAL NUMBER	# OF COLUMNS	# OF DIFF PAIR	DIM "A"	DIM "B"	DUAL END WALL OPTION
171296-182*	8	40	17.9	13.30	
171296-112*	10	50	21.7	17.10	
171296-122*	12	60	25.5	20.90	
171296-172*	14	70	29.3	24.70	
171296-162*	16	80	33.1	28.50	



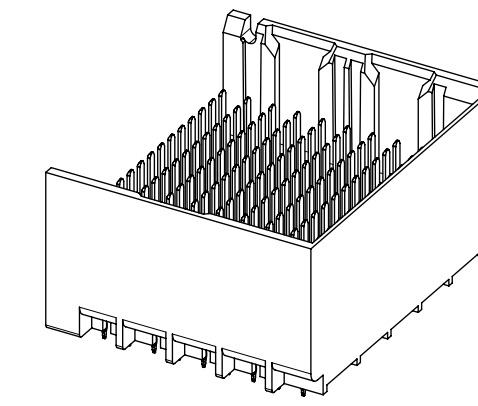
DUAL END WALL OPTION

MATERIAL NUMBER	# OF COLUMNS	# OF DIFF PAIR	DIM "A"	DIM "B"	LEFT END WALL OPTION
171296-118*	8	40	16.5	13.30	
171296-111*	10	50	20.3	17.10	
171296-121*	12	60	24.1	20.90	
171296-171*	14	70	27.9	24.70	
171296-161*	16	80	31.7	28.50	



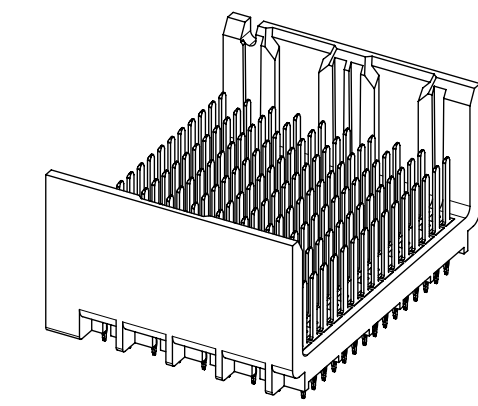
LEFT END WALL OPTION

MATERIAL NUMBER	# OF COLUMNS	# OF DIFF PAIR	DIM "A"	DIM "B"	RIGHT END WALL OPTION
171296-183*	8	40	16.5	13.30	
171296-113*	10	50	20.3	17.10	
171296-123*	12	60	24.1	20.90	
171296-173*	14	70	27.9	24.70	
171296-163*	16	80	31.7	28.50	



RIGHT END WALL OPTION

MATERIAL NUMBER	# OF COLUMNS	# OF DIFF PAIR	DIM "A"	DIM "B"	OPEN WALL OPTION
171296-180*	8	40	15.1	13.30	
171296-110*	10	50	18.9	17.10	
171296-120*	12	60	22.7	20.90	
171296-170*	14	70	26.5	24.70	
171296-160*	16	80	30.3	28.50	



OPEN WALL OPTION

SYMBOLS ▽ = 0 ▽ = 0 ▽ = 0 ▽ = 0 ▽ = 0 ▽ = 0 ▽ = 0 ▽ = 0 ▽ = 0 ▽ = 0	THIS DRAWING CONTAINS INFORMATION THAT IS PROPRIETARY TO MOLEX ELECTRONIC TECHNOLOGIES, LLC AND SHOULD NOT BE USED WITHOUT WRITTEN PERMISSION																					
	DIMENSION UNITS		SCALE		CURRENT REV DESC: MIGRATED TO NX																	
	mm		2:1																			
	GENERAL TOLERANCES (UNLESS SPECIFIED)										EC NO: 610093 DRWN: SKRISHNAMURT 2018/09/04 CHK'D: HLG0H 2018/10/25 APPR: HLG0H 2019/01/10											
	ANGULAR TOL ± 0.5°																					
	4 PLACES ± 3 PLACES ± 2 PLACES ± 0.13 1 PLACE ± 0.25 0 PLACES ±																					
	INITIAL REVISION:										DOCUMENT NUMBER SD-171296-0001											
	DRWN: JBINGHAM 2011/11/21 APPR: JLAURX 2011/12/02																					
	DRAFT WHERE APPLICABLE MUST REMAIN WITHIN DIMENSIONS										THIRD ANGLE PROJECTION		DRAWING		SERIES		MATERIAL NUMBER		CUSTOMER		SHEET NUMBER	
													C-SIZE		171296		SEE CHART		GENERAL MARKET		2 OF 3	
PRODUCT CUSTOMER DRAWING UNGUIDED ASSEMBLY SALES DRAWING										DOC TYPE PSD		DOC PART 001		REVISION B1								

PART NUMBER LOGIC

171296-****

MODULE TYPE
1 = UNGUIDED, MATTE TIN

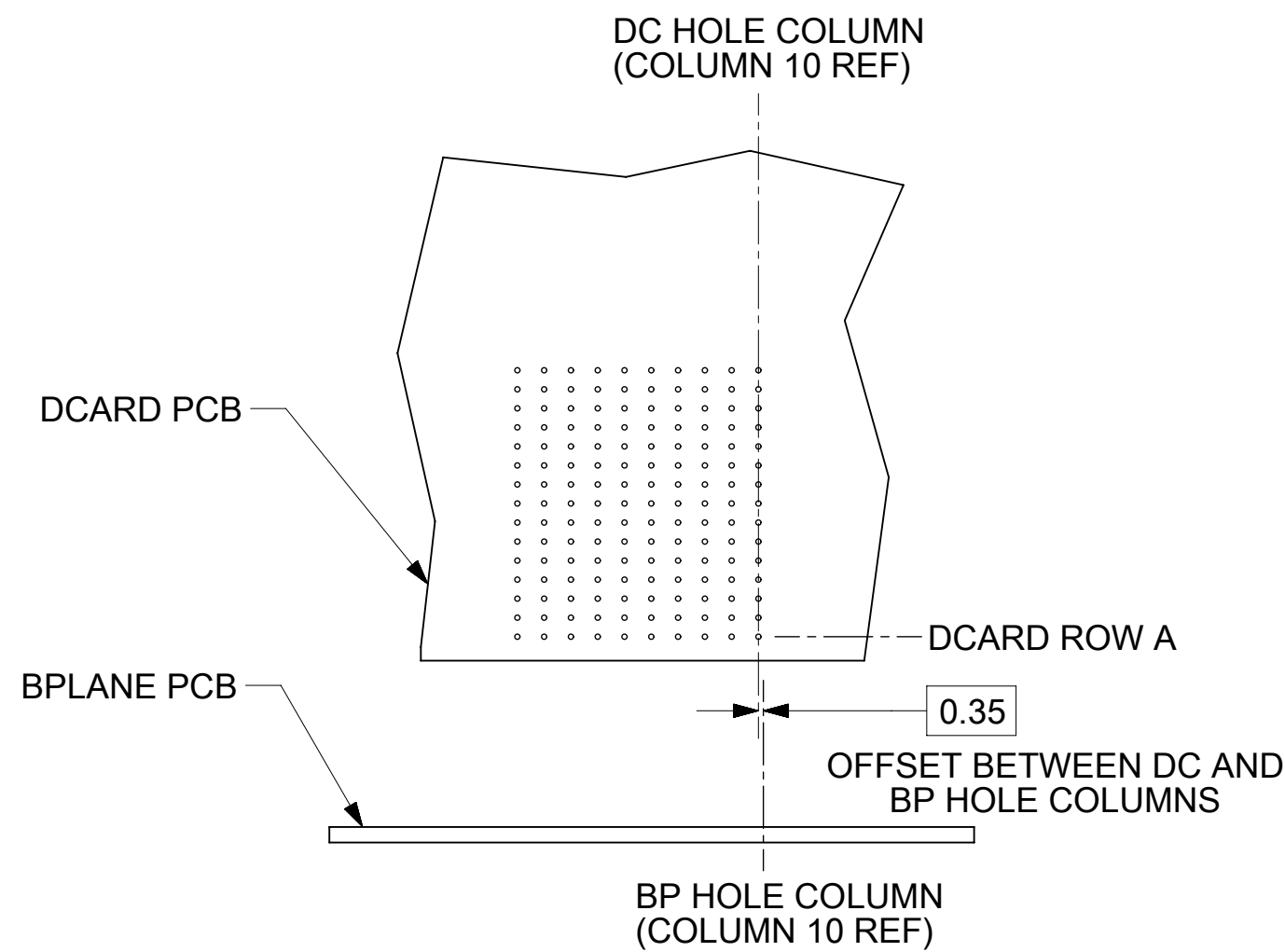
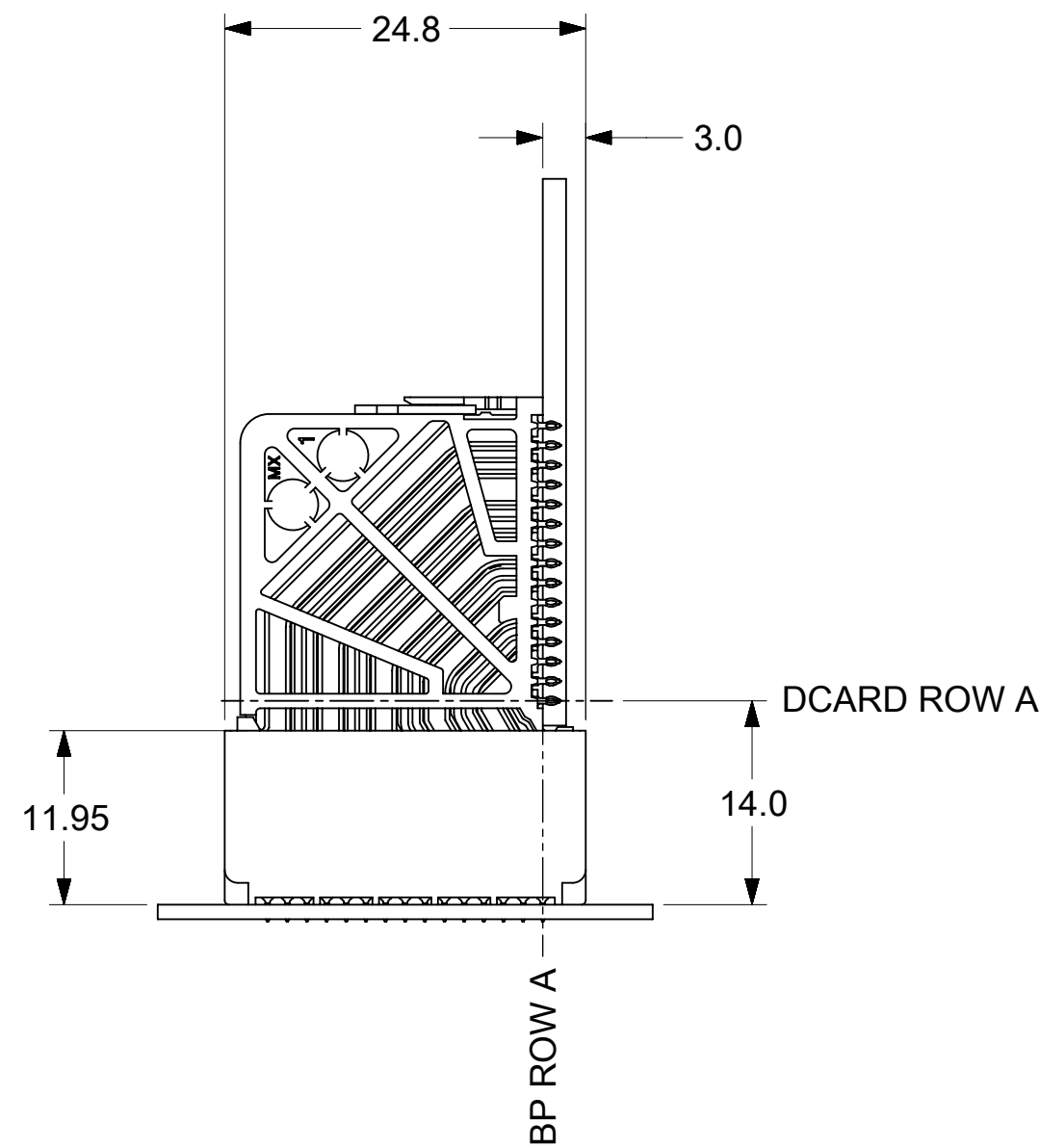
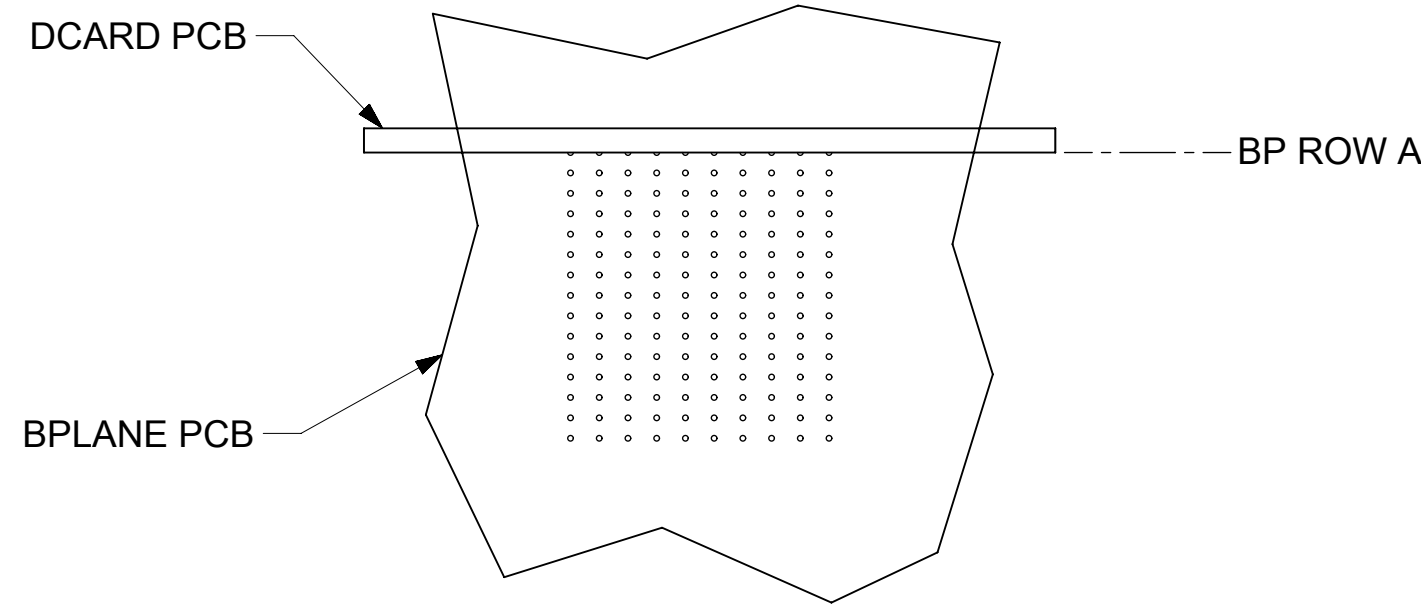
OF COLUMNS
1 = 10 COL
2 = 12 COL
6 = 16 COL
7 = 14 COL
8 = 8 COL

END WALL OPTIONS
0 = OPEN ENDS
1 = LEFT END WALL
2 = DUAL END WALL
3 = RIGHT END WALL

P=PIN LENGTH

- 3 = 4.50 (SHORT COMPLIANT, 0.46±0.05 PTH)
- 4 = 4.90 (SHORT COMPLIANT, 0.46±0.05 PTH)
- 5 = 5.50 (SHORT COMPLIANT, 0.46±0.05 PTH)
- 6 = 4.50 (MICRO COMPLIANT, 0.39±0.05 PTH)
- 7 = 4.90 (MICRO COMPLIANT, 0.39±0.05 PTH)
- 8 = 5.50 (MICRO COMPLIANT, 0.39±0.05 PTH)

IMPACT 5 PAIR BOARD RELATIONSHIPS



THIS DRAWING CONTAINS INFORMATION THAT IS PROPRIETARY TO MOLEX ELECTRONIC TECHNOLOGIES, LLC AND SHOULD NOT BE USED WITHOUT WRITTEN PERMISSION									
SYMBOLS		DIMENSION UNITS		SCALE		CURRENT REV DESC: MIGRATED TO NX			
▽ = 0		mm		2:1		molex IMPACT 5 PAIR BACKPLANE UNGUIDED ASSEMBLY SALES DRAWING PRODUCT CUSTOMER DRAWING			
▽ = 0		GENERAL TOLERANCES (UNLESS SPECIFIED)							
▽ = 0		ANGULAR TOL ± 0.5°							
▽ = 0		4 PLACES ±							
▽ = 0		3 PLACES ±							
▽ = 0		2 PLACES ± 0.13				EC NO: 610093			
▽ = 0		1 PLACE ± 0.25				DRWN: SKRISHNAMURT 2018/09/04			
☒ = 0		0 PLACES ±				CHK'D: HLG OH 2018/10/25			
■ = 0		DRAFT WHERE APPLICABLE MUST REMAIN WITHIN DIMENSIONS				APPR: HLG OH 2019/01/10			
▽ = 0		THIRD ANGLE PROJECTION		DRAWING		SERIES		INITIAL REVISION:	
		C-SIZE		171296		2011/11/21		DRWN: JBINGHAM	
						2011/12/02		APPR: JLAURX	
								DOCUMENT NUMBER	
								SD-171296-0001	
								DOC TYPE	
								PSD	
								DOC PART	
								001	
								REVISION	
								B1	
								MATERIAL NUMBER	
								SEE CHART	
								CUSTOMER	
								GENERAL MARKET	
								SHEET NUMBER	
								3 OF 3	